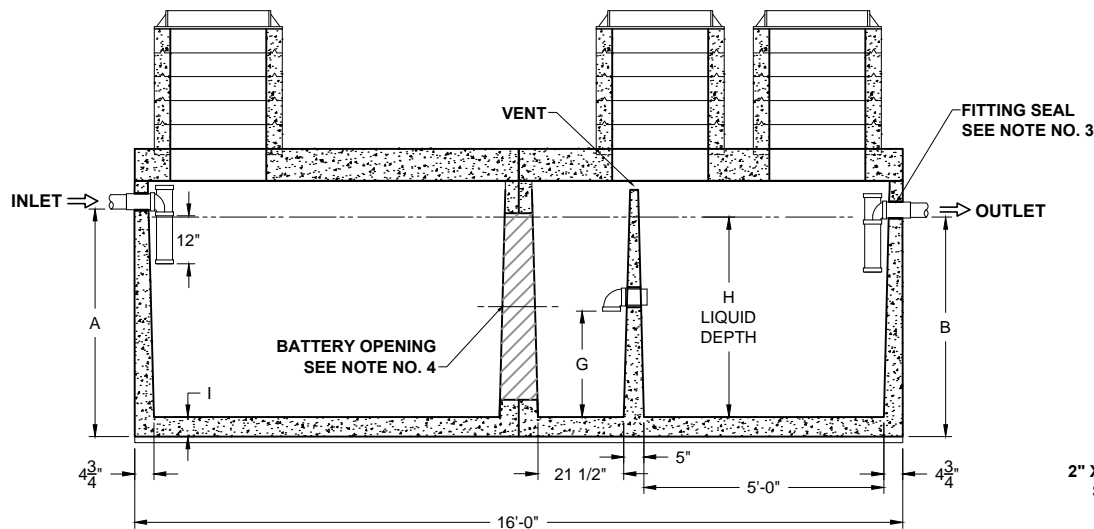
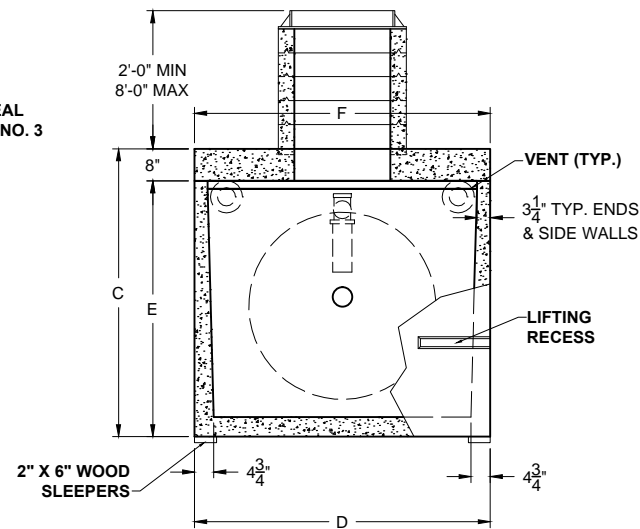


PLAN VIEW



SECTION THRU "A-A"



SECTION THRU "B-B"

PRODUCT NAME:
SEPTIC TANK

DESCRIPTION:
WITH THREE MANHOLES & RISERS
3000 GALLONS

DESIGN SPECIFICATIONS

DESIGN LOAD: H-20 LOADING

WITH DRY SOIL CONDITIONS (WATER LEVEL BELOW TANK). SUITABLE SUB-BASE BEDDED WITH GRANULAR MATERIAL SHALL BE PREPARED TO HANDLE ANTICIPATED LOADS. FOR COMPLETE DESIGN AND PRODUCT INFORMATION, PLEASE CONTACT PRO-CAST PRODUCTS.

PRO-CAST PRODUCTS RESERVES THE RIGHT TO MAKE CHANGES TO PRODUCT DESIGN AND/OR DIMENSIONS WITHOUT NOTICE. PLEASE CONTACT PRO-CAST PRODUCTS WHENEVER NECESSARY FOR CONFIRMATION OR ADVICE ON PRODUCT DESIGN.

- NOTES:
1. REFER TO SPECIFICATION SHEET NO. S-201
 2. REFER TO SPECIFICATION SHEET NOS. S-251 & S-252
 3. REFER TO SPECIFICATION SHEET NO. S-249
 4. REFER TO SPECIFICATION SHEET NO. S-101.

SCALE: 1/4" = 1'-0"

DRAWN BY: TPC 9/14/2017

REVISED BY:

CHECKED BY:

DRAWING NO.

S-009

ALL DIMENSIONS ARE IN INCHES & WEIGHTS IN LBS - (RISER WT. NOT INCLUDED)

| MODEL | A | B | C | D | E | F | G | H | I | WEIGHT |
|-------------|--------|--------|--------|----|--------|----|--------|--------|---|--------|
| S-HD-2-3000 | 60 1/2 | 57 1/2 | 75 1/2 | 85 | 67 1/2 | 85 | 26 3/4 | 53 1/2 | 5 | 36,690 |
| | | | | | | | | | | |
| | | | | | | | | | | |

EXCAVATION SPECIFICATIONS

| | | | | |
|-------------|-----------|--|--|--|
| MODEL | S-3000 | | | |
| LENGTH | 19'-0" | | | |
| WIDTH | 10'-1" | | | |
| BELOW INLET | 5'-0 1/2" | | | |
| TANK HEIGHT | 6'-3 1/2" | | | |