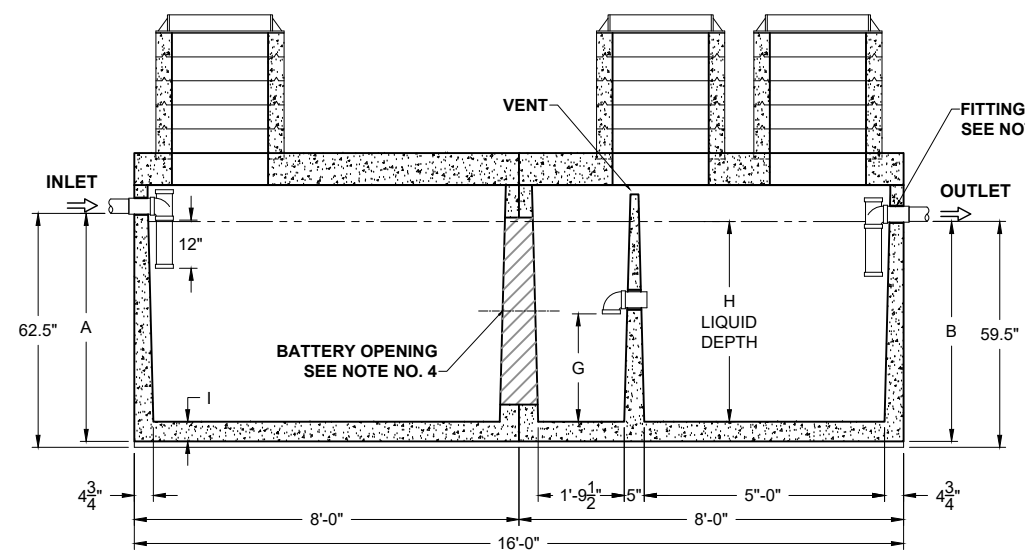
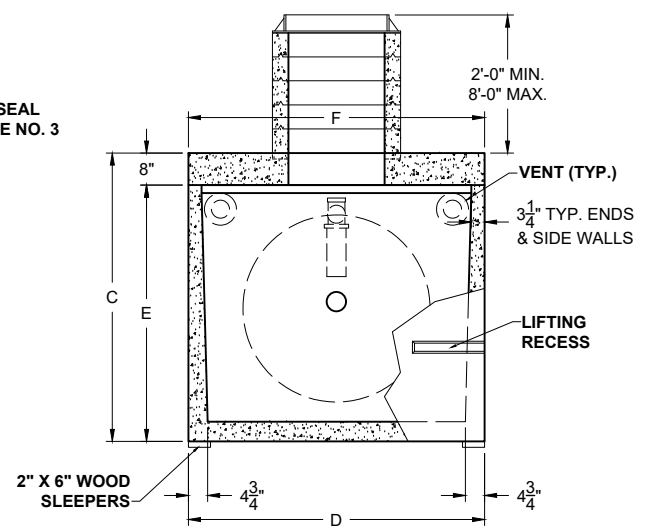


**PLAN VIEW**



**SECTION THRU "A-A"**



**SECTION THRU "B-B"**

ALL DIMENSIONS ARE IN INCHES & WEIGHTS IN LBS - (RISER WT. NOT INCLUDED)										EXCAVATION SPECIFICATIONS				
MODEL	A	B	C	D	E	F	G	H	I	WEIGHT	LENGTH	WIDTH	BELOW INLET	TANK HEIGHT
3000 / S-HD-2-3000	60 1/2	57 1/2	75 1/2	85	67 1/2	85	26 3/4	53 1/2	5	36,690	19'-0"	10'-0"	5'-0 1/2"	6'-3 1/2"

**PRODUCT NAME:**  
**SEPTIC TANK**

**DESCRIPTION:**  
3000 GALLONS  
WITH THREE MANHOLES/RISERS

**DESIGN SPECIFICATIONS**  
DESIGN LOAD: H2O LOADING

WITH DRY SOIL CONDITIONS (WATER LEVEL BELOW TANK). SUITABLE SUB-BASE BEDDED WITH GRANULAR MATERIAL SHALL BE PREPARED TO HANDLE ANTICIPATED LOADS. FOR COMPLETE DESIGN AND PRODUCT INFORMATION, PLEASE CONTACT PRO-CAST PRODUCTS.

PRO-CAST PRODUCTS RESERVES THE RIGHT TO MAKE CHANGES TO PRODUCT DESIGN AND/OR DIMENSIONS WITHOUT NOTICE. PLEASE CONTACT PRO-CAST PRODUCTS WHENEVER NECESSARY FOR CONFIRMATION OR ADVICE ON PRODUCT DESIGN.

**NOTES:**

- REFER TO SPECIFICATION SHEET NO. S-201
- REFER TO SPECIFICATION SHEET NOS. S-251 & S-252
- REFER TO SPECIFICATION SHEET NO. S-249
- REFER TO SPECIFICATION SHEET NO. S-101.

**SCALE:** 1/4" = 1'-0"

**DRAWN BY:** TPC 09/14/2017

**REVISED BY:** JPL 04/19/2023

**CHECKED BY:**

**DRAWING NO.**  
**S-009**