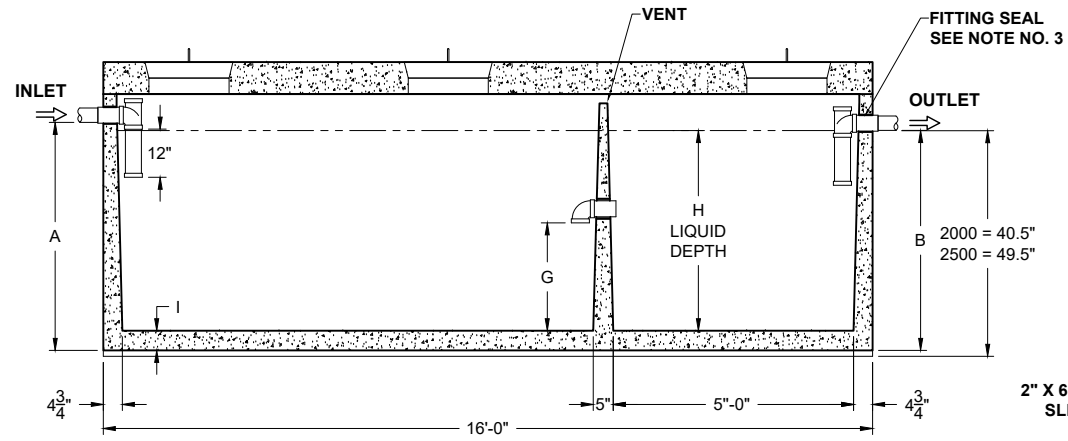
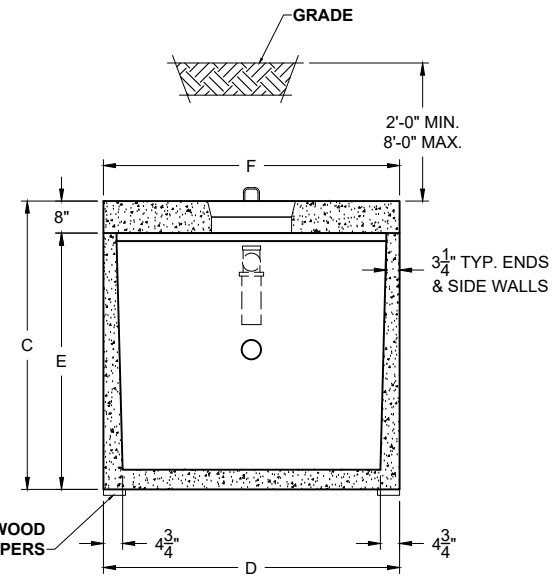


**PLAN VIEW**



**SECTION THRU "A-A"**



**SECTION THRU "B-B"**

ALL DIMENSIONS ARE IN INCHES & WEIGHTS IN LBS - (RISER WT. NOT INCLUDED)										EXCAVATION SPECIFICATIONS				
MODEL	A	B	C	D	E	F	G	H	I	WEIGHT	LENGTH	WIDTH	BELOW INLET	TANK HEIGHT
PC S-2000 / S-HD-1-2000	42 1/2	39 1/2	57 1/2	85	49 1/2	85	20 3/4	33 1/2	5 1/2	24,475	19'-0"	12'-0"	3'-6 1/2"	4'-9 1/2"
PC S-2500 / S-HD-1-2500	51 1/2	48 1/2	66 1/2	85	58 1/2	85	25 1/4	42	5 1/2	30,290	19'-0"	12'-0"	4'-3 1/2"	5'-6 1/2"

**PRODUCT NAME:**  
**SEPTIC TANK**

**DESCRIPTION:**  
2000 THRU 2500 GALLONS  
WITH THREE MANHOLES/RISERS

**DESIGN SPECIFICATIONS**  
**DESIGN LOAD:** H2O LOADING

WITH DRY SOIL CONDITIONS (WATER LEVEL BELOW TANK). SUITABLE SUB-BASE BEDDED WITH GRANULAR MATERIAL SHALL BE PREPARED TO HANDLE ANTICIPATED LOADS. FOR COMPLETE DESIGN AND PRODUCT INFORMATION, PLEASE CONTACT PRO-CAST PRODUCTS.

PRO-CAST PRODUCTS RESERVES THE RIGHT TO MAKE CHANGES TO PRODUCT DESIGN AND/OR DIMENSIONS WITHOUT NOTICE. PLEASE CONTACT PRO-CAST PRODUCTS WHENEVER NECESSARY FOR CONFIRMATION OR ADVICE ON PRODUCT DESIGN.

**NOTES:**

- REFER TO SPECIFICATION SHEET NO. S-201
- REFER TO SPECIFICATION SHEET NOS. S-251 & S-252
- REFER TO SPECIFICATION SHEET NO. S-249

**SCALE:** 1/4" = 1'-0"

**DRAWN BY:** TPC 09/14/2017

**REVISED BY:** JPL 12/12/2023

**CHECKED BY:**

**DRAWING NO.**  
**S-008**