

PRODUCT NAME:
SEPTIC TANK

DESCRIPTION:
WITH TWO MANHOLES
750 THRU 1500 GALLONS

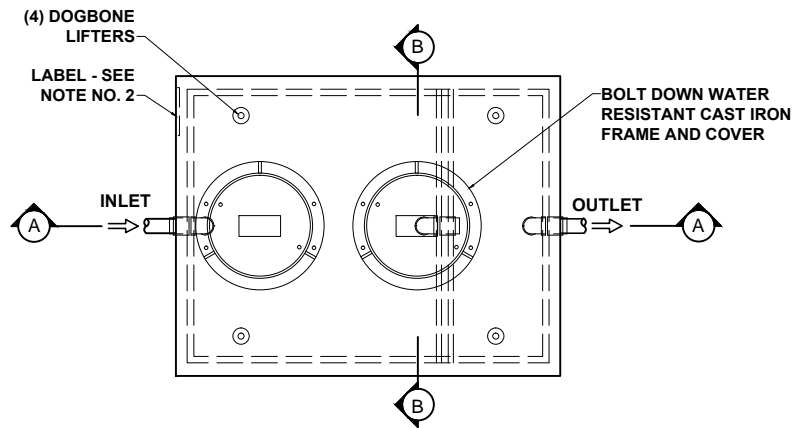
DESIGN SPECIFICATIONS

DESIGN LOAD: H-20 LOADING

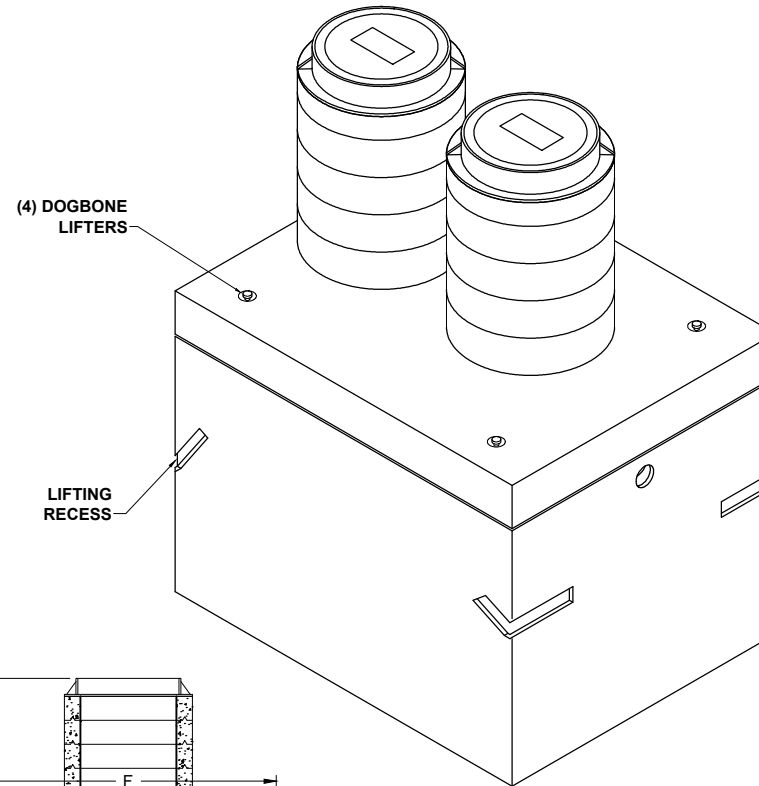
WITH DRY SOIL CONDITIONS (WATER LEVEL BELOW TANK). SUITABLE SUB-BASE BEDDED WITH GRANULAR MATERIAL SHALL BE PREPARED TO HANDLE ANTICIPATED LOADS. FOR COMPLETE DESIGN AND PRODUCT INFORMATION, PLEASE CONTACT PRO-CAST PRODUCTS.

PRO-CAST PRODUCTS RESERVES THE RIGHT TO MAKE CHANGES TO PRODUCT DESIGN AND/OR DIMENSIONS WITHOUT NOTICE. PLEASE CONTACT PRO-CAST PRODUCTS WHENEVER NECESSARY FOR CONFIRMATION OR ADVICE ON PRODUCT DESIGN.

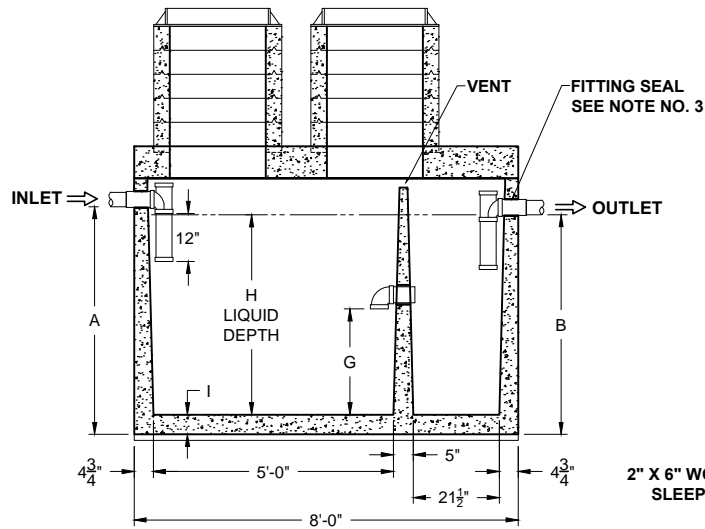
- NOTES:
1. REFER TO SPECIFICATION SHEET NO. S-201
 2. REFER TO SPECIFICATION SHEET NOS. S-251 & S-252
 3. REFER TO SPECIFICATION SHEET NO. S-249



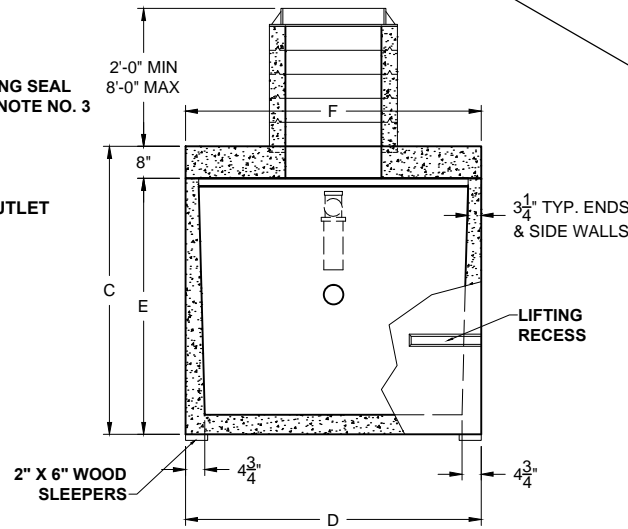
PLAN VIEW



ISOMETRIC VIEW



SECTION THRU "A-A"



SECTION THRU "B-B"

ALL DIMENSIONS ARE IN INCHES & WEIGHTS IN LBS - (RISER WT. NOT INCLUDED)

MODEL	A	B	C	D	E	F	G	H	I	WEIGHT
S-HD-1-750	38	35	53	74	45	74	15 3/4	31 1/2	4 1/2	13,155
S-HD-1-1000	48	45	63	74	55	74	20 3/4	41 1/2	4 1/2	14,510
S-HD-1-1250	57	54	72	74	64	74	25 1/4	50 1/2	4 1/2	15,725
S-HD-1-1500	60 1/2	57 1/2	75 1/2	85	67 1/2	85	26 3/4	53 1/2	5	18,345

EXCAVATION SPECIFICATIONS

MODEL	S-750	S-1000	S-1250	S-1500
LENGTH	11'-0"	11'-0"	11'-0"	11'-0"
WIDTH	9'-2"	9'-2"	9'-2"	10'-1"
BELOW INLET	3'-2"	4'-0"	4'-9"	5'-0 1/2"
TANK HEIGHT	4'-5"	5'-3"	6'-0"	6'-3 1/2"

SCALE: 1/4" = 1'-0"
DRAWN BY: TPC 9/14/2017
REVISED BY:
CHECKED BY:
DRAWING NO. **S-007**