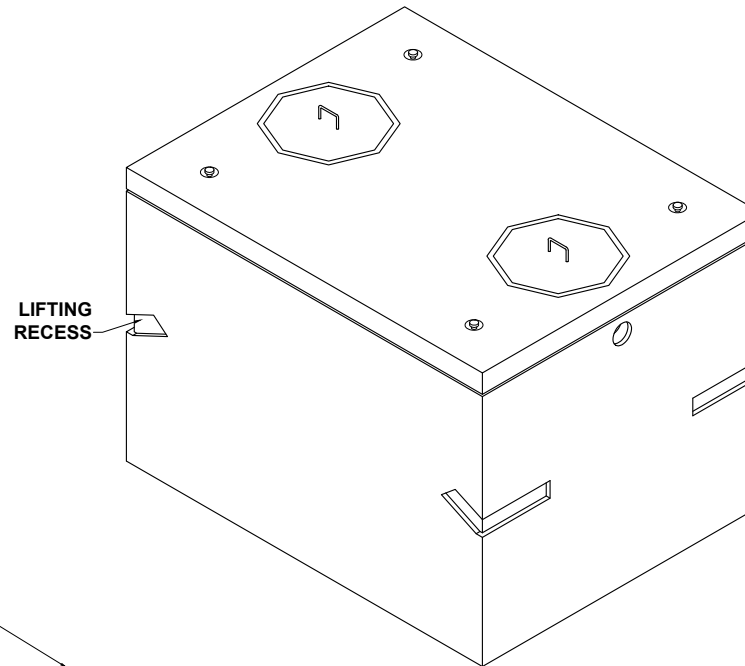
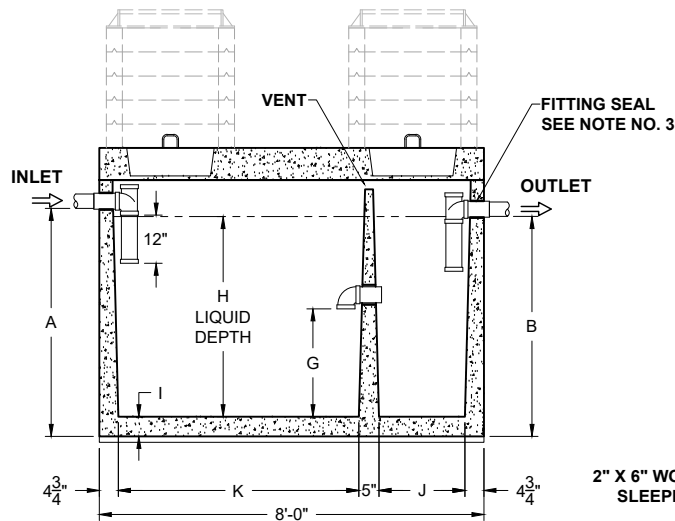


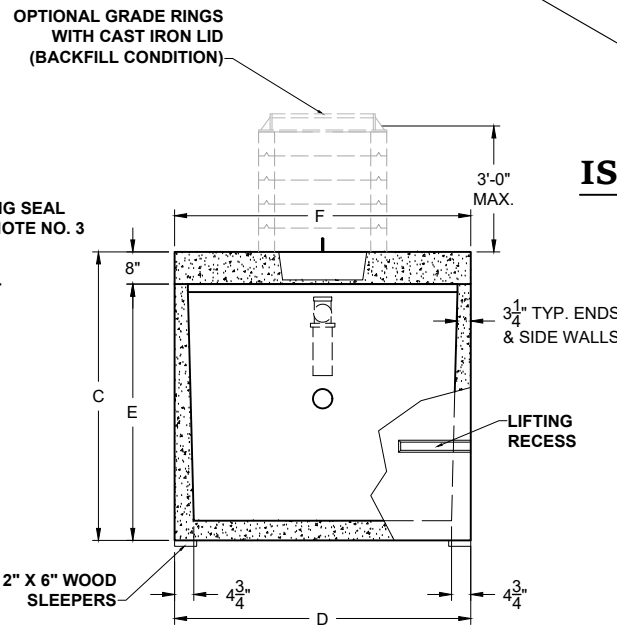
PLAN VIEW



ISOMETRIC VIEW



SECTION THRU "A-A"



SECTION THRU "B-B"

ALL DIMENSIONS ARE IN INCHES & WEIGHTS IN LBS - (RISER WT. NOT INCLUDED)

MODEL	ALL DIMENSIONS ARE IN INCHES & WEIGHTS IN LBS - (RISER WT. NOT INCLUDED)												EXCAVATION SPECIFICATIONS			
	A	B	C	D	E	F	G	H	I	J	K	WEIGHT	LENGTH	WIDTH	BELOW INLET	TANK HEIGHT
PC S-750 / S-HD-1-750	40	38	53	74	45	74	15 3/4	31 1/2	4 1/2	21 1/2	60	13,155	11'-0"	9'-2"	3'-2"	4'-5"
PC S-1000 / S-HD-1-1000	50	48	63	74	55	74	20 3/4	41 1/2	4 1/2	21 1/2	60	14,510	11'-0"	9'-2"	4'-0"	5'-3"
PC S-1250 / S-HD-1-1250	59	57	72	74	64	74	25 1/4	50 1/2	4 1/2	21 1/2	60	15,725	11'-0"	9'-2"	4'-9"	6'-0"
PC S-1500 / S-HD-1-1500	62 1/2	60 1/2	75 1/2	85	67 1/2	86	26 3/4	53 1/2	5	27 1/2	54	18,345	11'-0"	10'-1"	5'-0 1/2"	6'-3 1/2"

Pro-Cast PRODUCTS INC.
 27417 E. Third St., Highland, CA 92346
 909-793-7602 phone 909-793-1283 fax
 www.procastproducts.com

PRODUCT NAME:
SEPTIC TANK

DESCRIPTION:
 750 THRU 1500 GALLONS
 WITH TWO MANHOLES/RISERS

DESIGN SPECIFICATIONS
 DESIGN LOAD: H2O LOADING

WITH DRY SOIL CONDITIONS (WATER LEVEL BELOW TANK). SUITABLE SUB-BASE BEDDED WITH GRANULAR MATERIAL SHALL BE PREPARED TO HANDLE ANTICIPATED LOADS. FOR COMPLETE DESIGN AND PRODUCT INFORMATION, PLEASE CONTACT PRO-CAST PRODUCTS.

PRO-CAST PRODUCTS RESERVES THE RIGHT TO MAKE CHANGES TO PRODUCT DESIGN AND/OR DIMENSIONS WITHOUT NOTICE. PLEASE CONTACT PRO-CAST PRODUCTS WHENEVER NECESSARY FOR CONFIRMATION OR ADVICE ON PRODUCT DESIGN.

- NOTES:
1. REFER TO SPECIFICATION SHEET NO. S-201
 2. REFER TO SPECIFICATION SHEET NOS. S-251 & S-252
 3. REFER TO SPECIFICATION SHEET NO. S-249

SCALE: 1/4" = 1'-0"
 DRAWN BY: TPC/12/28/2022
 REVISED BY: JPL/04/19/2023
 CHECKED BY:
 DRAWING NO. **S-007**