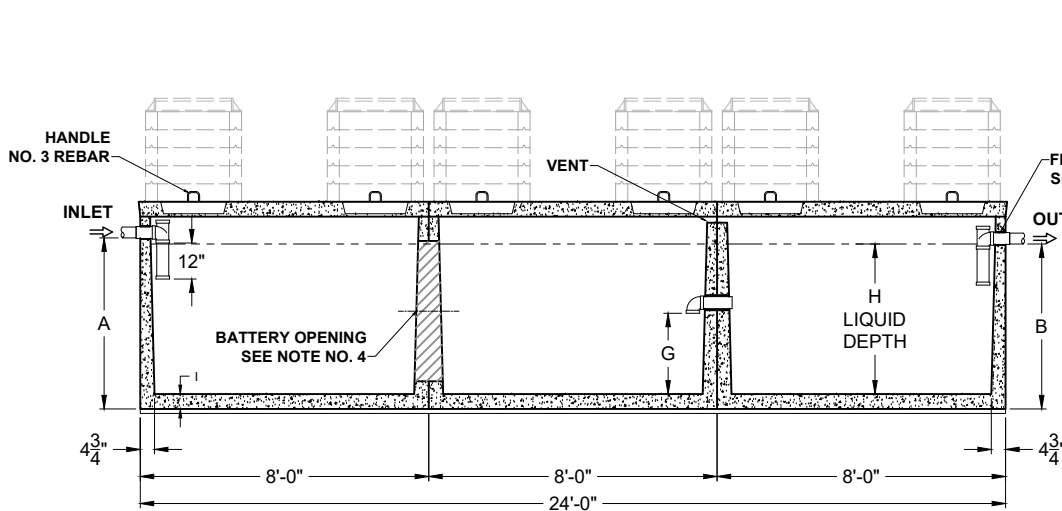
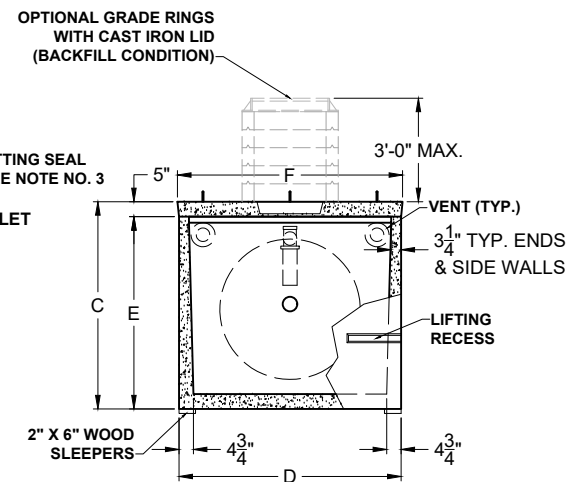


PLAN VIEW



SECTION THRU "A-A"



SECTION THRU "B-B"

PRODUCT NAME:
SEPTIC TANK

DESCRIPTION:
3750 THRU 4500 GALLONS
WITH SIX MANHOLES/RISERS

DESIGN SPECIFICATIONS
DESIGN LOAD: PEDESTRIAN
(300 PSF)

WITH DRY SOIL CONDITIONS (WATER LEVEL BELOW TANK). SUITABLE SUB-BASE BEDDED WITH GRANULAR MATERIAL SHALL BE PREPARED TO HANDLE ANTICIPATED LOADS. FOR COMPLETE DESIGN AND PRODUCT INFORMATION, PLEASE CONTACT PRO-CAST PRODUCTS.

PRO-CAST PRODUCTS RESERVES THE RIGHT TO MAKE CHANGES TO PRODUCT DESIGN AND/OR DIMENSIONS WITHOUT NOTICE. PLEASE CONTACT PRO-CAST PRODUCTS WHENEVER NECESSARY FOR CONFIRMATION OR ADVICE ON PRODUCT DESIGN.

NOTES:

1. REFER TO SPECIFICATION SHEET NO. S-201
2. REFER TO SPECIFICATION SHEET NOS. S-251 & S-252
3. REFER TO SPECIFICATION SHEET NO. S-249
4. REFER TO SPECIFICATION SHEET NO. S-101.

SCALE: 3/16" = 1'-0"
DRAWN BY: TPC 09/14/2017
REVISED BY: JPL 04/19/2023
CHECKED BY:
DRAWING NO.

S-004

ALL DIMENSIONS ARE IN INCHES & WEIGHTS IN LBS - (RISER WT. NOT INCLUDED)										EXCAVATION SPECIFICATIONS				
MODEL	A	B	C	D	E	F	G	H	I	WEIGHT	LENGTH	WIDTH	BELOW INLET	TANK HEIGHT
3750 / S-LD-3-3750	57	54	69	74	64	75	25 1/4	50 1/2	4 1/2	41,625	27'-0"	9'-2"	4'-9"	5'-9"
PC S-4500 / S-LD-3-4500	60 1/2	57 1/2	72 1/2	85	67 1/2	86	26 3/4	53 1/2	5	48,660	27'-0"	10'-1"	5'-0 1/2"	6'-0 1/2"