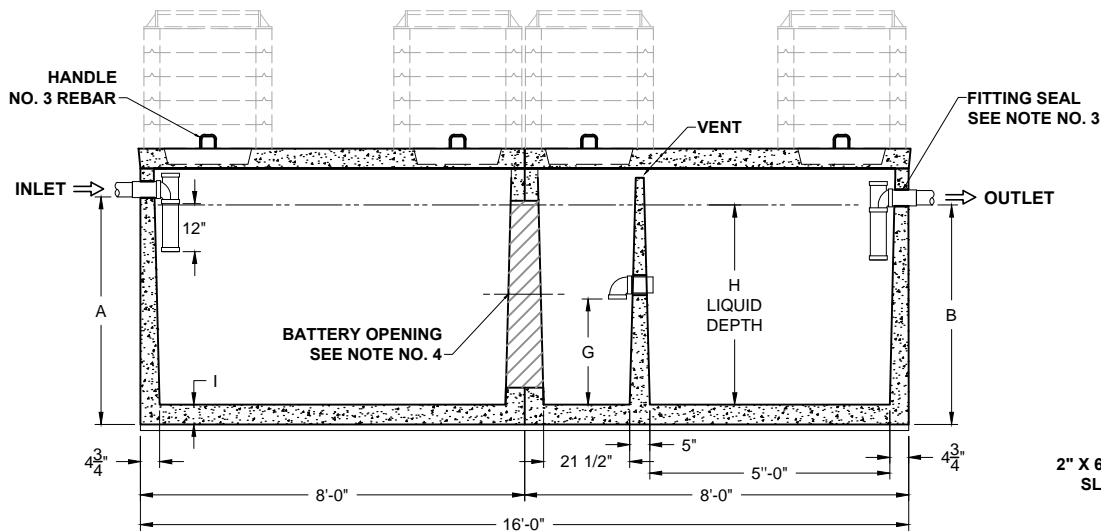
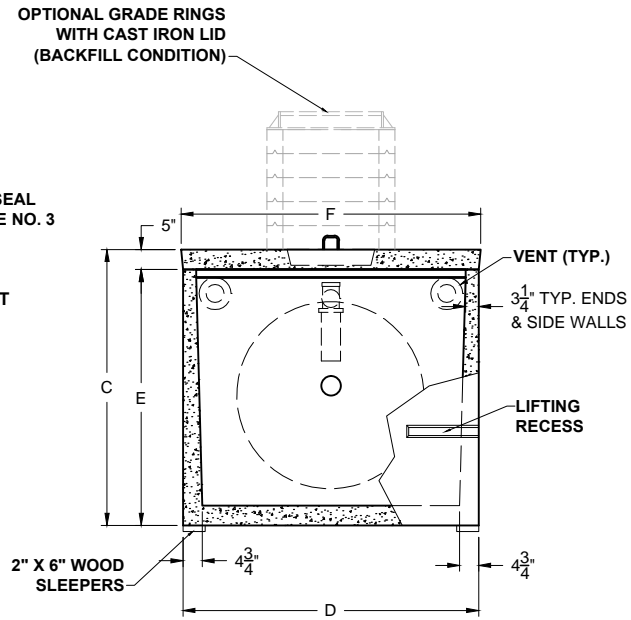


PLAN VIEW



SECTION THRU "A-A"



SECTION THRU "B-B"

PRODUCT NAME:
SEPTIC TANK

DESCRIPTION:
WITH FOUR MANHOLES
3000 GALLONS

DESIGN SPECIFICATIONS

DESIGN LOAD: PEDESTRIAN
(300 PSF)

WITH DRY SOIL CONDITIONS (WATER LEVEL BELOW TANK). SUITABLE SUB-BASE BEDDED WITH GRANULAR MATERIAL SHALL BE PREPARED TO HANDLE ANTICIPATED LOADS. FOR COMPLETE DESIGN AND PRODUCT INFORMATION, PLEASE CONTACT PRO-CAST PRODUCTS.

PRO-CAST PRODUCTS RESERVES THE RIGHT TO MAKE CHANGES TO PRODUCT DESIGN AND/OR DIMENSIONS WITHOUT NOTICE. PLEASE CONTACT PRO-CAST PRODUCTS WHENEVER NECESSARY FOR CONFIRMATION OR ADVICE ON PRODUCT DESIGN.

NOTES:

1. REFER TO SPECIFICATION SHEET NO. S-201
2. REFER TO SPECIFICATION SHEET NOS. S-251 & S-252
3. REFER TO SPECIFICATION SHEET NO. S-249
4. REFER TO SPECIFICATION SHEET NO. S-101.

SCALE: 1/4" = 1'-0"

DRAWN BY: TPC 9/14/2017

REVISED BY:

CHECKED BY:

DRAWING NO.

S-003

ALL DIMENSIONS ARE IN INCHES & WEIGHTS IN LBS - (RISER WT. NOT INCLUDED)

MODEL	A	B	C	D	E	F	G	H	I	WEIGHT
S-LD-2-3000	60 1/2	57 1/2	72 1/2	85	67 1/2	86	26 3/4	53 1/2	5	32,440

EXCAVATION SPECIFICATIONS

MODEL	S-3000			
LENGTH	19'-0"			
WIDTH	10'-1"			
BELOW INLET	5'-0 1/2"			
TANK HEIGHT	6'-0 1/2"			