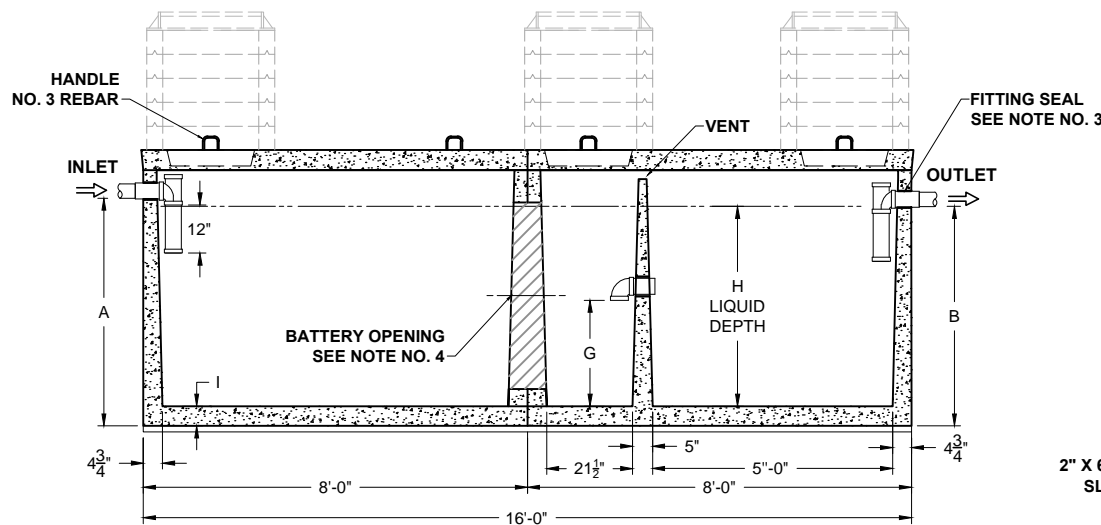
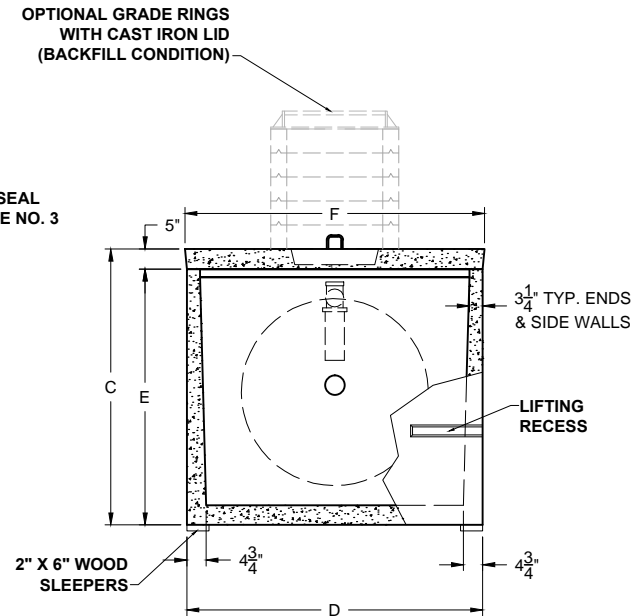


PLAN VIEW



SECTION THRU "A-A"



SECTION THRU "B-B"

ALL DIMENSIONS ARE IN INCHES & WEIGHTS IN LBS - (RISER WT. NOT INCLUDED)

MODEL	A	B	C	D	E	F	G	H	I	WEIGHT
S-LD-2-2000	42 1/2	39 1/2	54 1/2	85	49 1/2	86	20 3/4	33 1/2	5 1/2	24,225
S-LD-2-2500	51 1/2	48 1/2	63 1/2	85	58 1/2	86	25 1/4	42	5 1/2	26,040

EXCAVATION SPECIFICATIONS

MODEL	S-2000	S-2500
LENGTH	19'-0"	19'-0"
WIDTH	12'-0"	12'-0"
BELOW INLET	3'-6 1/2"	4'-3 1/2"
TANK HEIGHT	4'-6 1/2"	5'-3 1/2"

PRODUCT NAME:
SEPTIC TANK

DESCRIPTION:
WITH THREE MANHOLES
2000 THRU 2500 GALLONS

DESIGN SPECIFICATIONS

DESIGN LOAD: PEDESTRIAN
(300 PSF)

WITH DRY SOIL CONDITIONS (WATER LEVEL BELOW TANK). SUITABLE SUB-BASE BEDDED WITH GRANULAR MATERIAL SHALL BE PREPARED TO HANDLE ANTICIPATED LOADS. FOR COMPLETE DESIGN AND PRODUCT INFORMATION, PLEASE CONTACT PRO-CAST PRODUCTS.

PRO-CAST PRODUCTS RESERVES THE RIGHT TO MAKE CHANGES TO PRODUCT DESIGN AND/OR DIMENSIONS WITHOUT NOTICE. PLEASE CONTACT PRO-CAST PRODUCTS WHENEVER NECESSARY FOR CONFIRMATION OR ADVICE ON PRODUCT DESIGN.

- NOTES:
- REFER TO SPECIFICATION SHEET NO. S-201
 - REFER TO SPECIFICATION SHEET NOS. S-251 & S-252
 - REFER TO SPECIFICATION SHEET NO. S-249
 - REFER TO SPECIFICATION SHEET NO. S-101.

SCALE: 1/4" = 1'-0"

DRAWN BY: TPC 9/14/2017

REVISED BY:

CHECKED BY:

DRAWING NO.

S-002