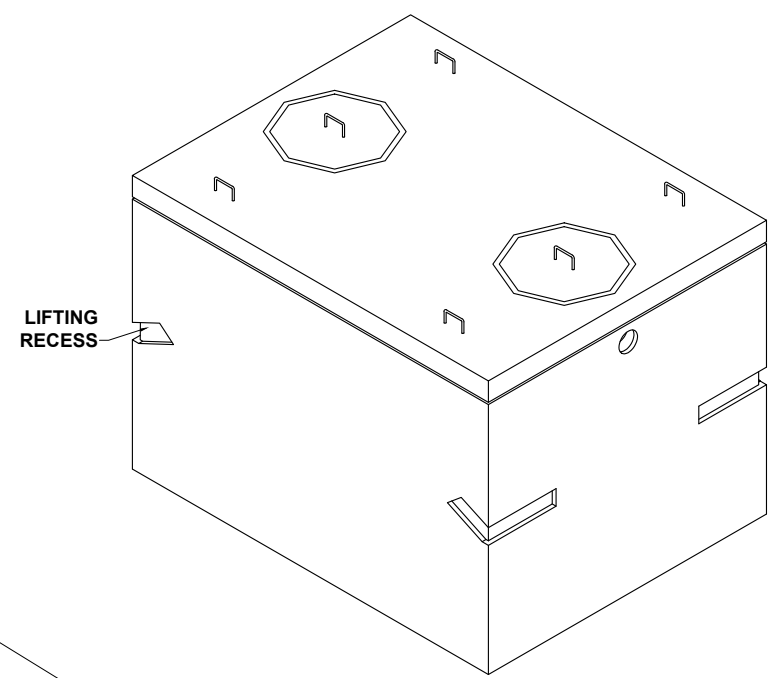
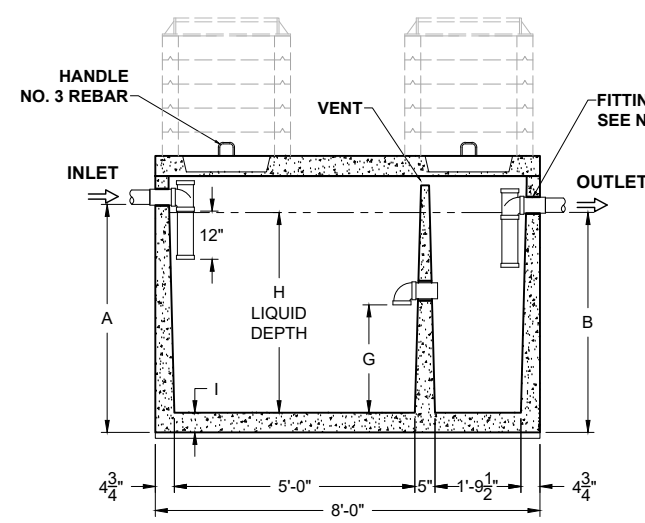


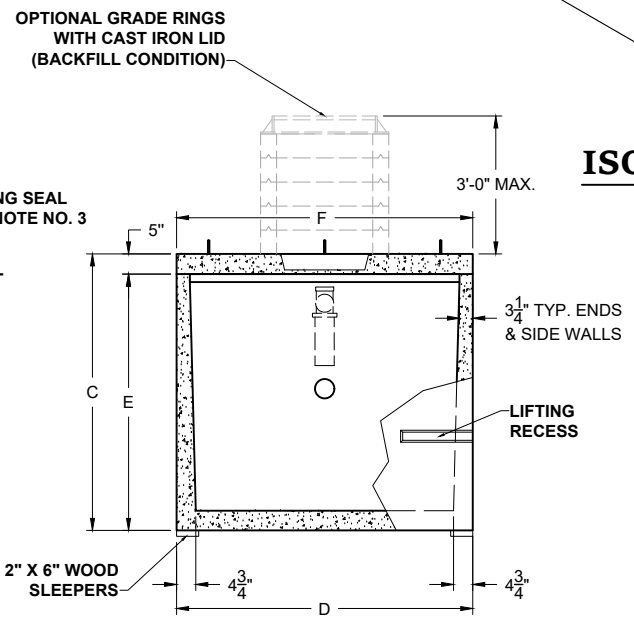
PLAN VIEW



ISOMETRIC VIEW



SECTION THRU "A-A"



SECTION THRU "B-B"

PRODUCT NAME:
SEPTIC TANK

DESCRIPTION:
750 THRU 1500 GALLONS
WITH TWO MANHOLES/RISERS

DESIGN SPECIFICATIONS
DESIGN LOAD: PEDESTRIAN
(300 PSF)

WITH DRY SOIL CONDITIONS
(WATER LEVEL BELOW TANK).
SUITABLE SUB-BASE BEDDED
WITH GRANULAR MATERIAL
SHALL BE PREPARED TO
HANDLE ANTICIPATED LOADS.
FOR COMPLETE DESIGN AND
PRODUCT INFORMATION,
PLEASE CONTACT PRO-CAST
PRODUCTS.

PRO-CAST PRODUCTS
RESERVES THE RIGHT TO
MAKE CHANGES TO
PRODUCT DESIGN AND/OR
DIMENSIONS WITHOUT
NOTICE. PLEASE CONTACT
PRO-CAST PRODUCTS
WHENEVER NECESSARY
FOR CONFIRMATION OR
ADVICE ON PRODUCT
DESIGN.

- NOTES:**
1. REFER TO SPECIFICATION SHEET NO. S-201
 2. REFER TO SPECIFICATION SHEET NOS. S-251 & S-252
 3. REFER TO SPECIFICATION SHEET NO. S-249
 4. REFER TO SPECIFICATION SHEET NO. S-101.

SCALE: 1/4" = 1'-0"
DRAWN BY: TPC 09/14/2017
REVISED BY: JPL 04/19/2023
CHECKED BY:

DRAWING NO.
S-001

ALL DIMENSIONS ARE IN INCHES & WEIGHTS IN LBS - (RISER WT. NOT INCLUDED)										EXCAVATION SPECIFICATIONS				
MODEL	A	B	C	D	E	F	G	H	I	WEIGHT	LENGTH	WIDTH	BELOW INLET	TANK HEIGHT
PC S-750 / S-750	38	35	50	74	45	75	15 3/4	31 1/2	4 1/2	11,305	11'-0"	9'-2"	3'-2"	4'-2"
PC S-1000 / S-1000	48	45	60	74	55	75	20 3/4	41 1/2	4 1/2	12,660	11'-0"	9'-2"	4'-0"	5'-0"
PC S-1250 / S-1250	57	54	69	74	64	75	25 1/4	50 1/2	4 1/2	13,875	11'-0"	9'-2"	4'-9"	5'-9"
PC S-1500 / S-1500	60 1/2	57 1/2	72 1/2	85	67 1/2	86	26 3/4	53 1/2	5	16,220	11'-0"	10'-1"	5'-0 1/2"	6'-0 1/2"