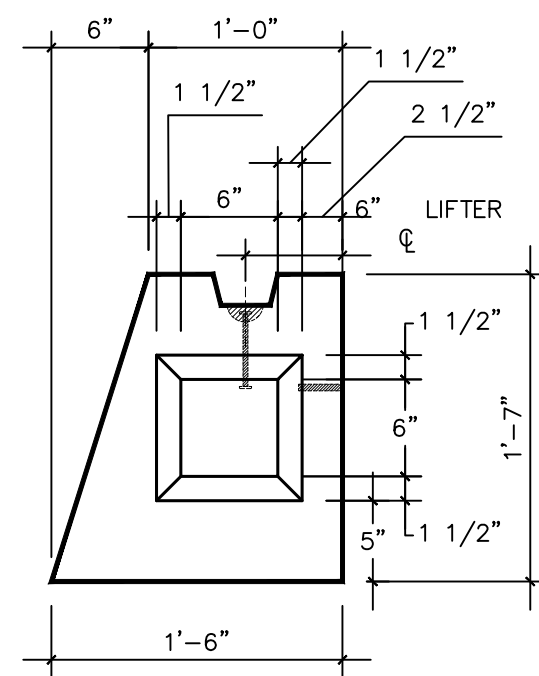
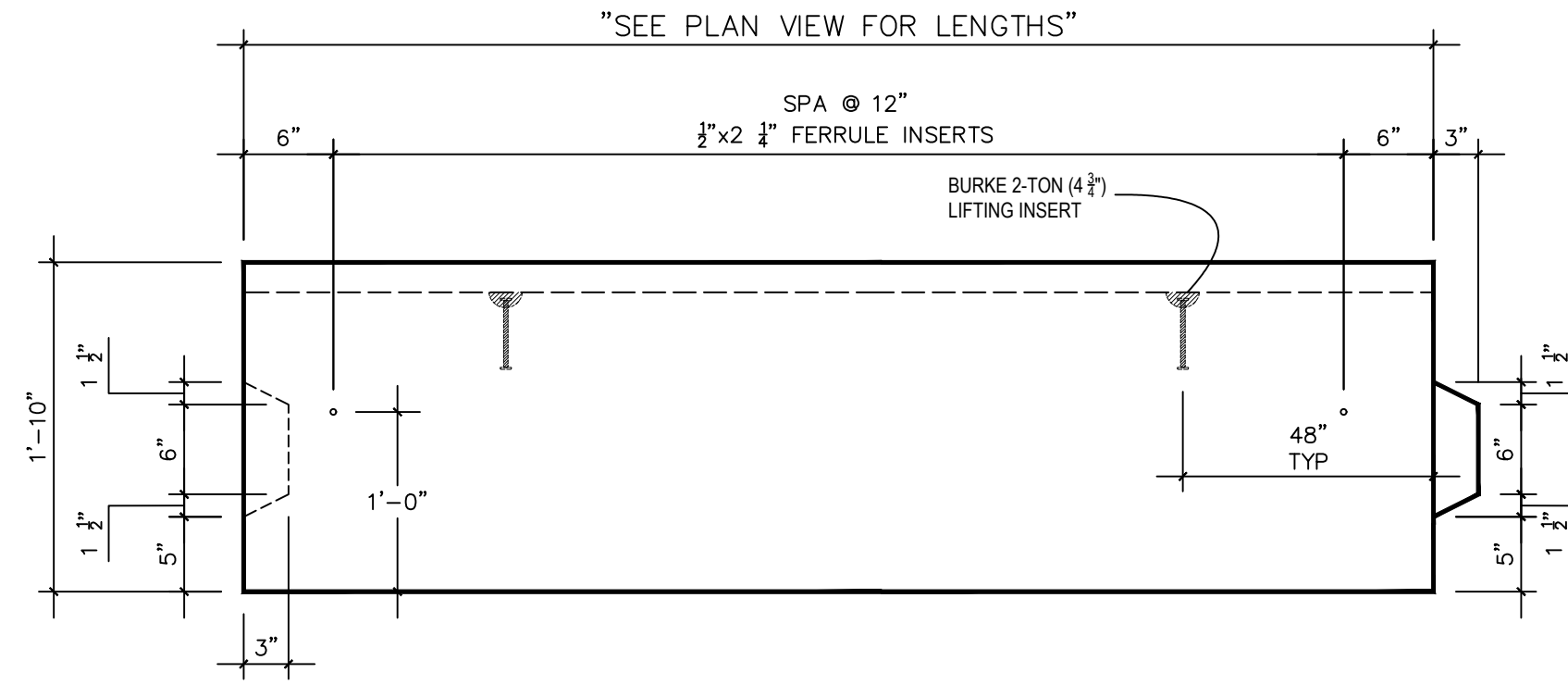


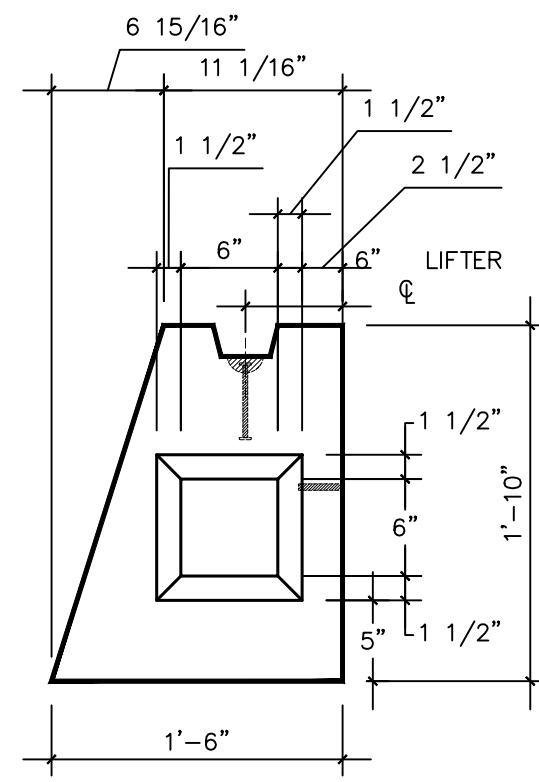
**A** PC TURN DOWN ELEVATION VIEW TYPE "A" - 1'-7" TALL  
 SEE R1 / S3 FOR REINF. / KEYWAY DETAILS: Scale: 1' = 1'-0"



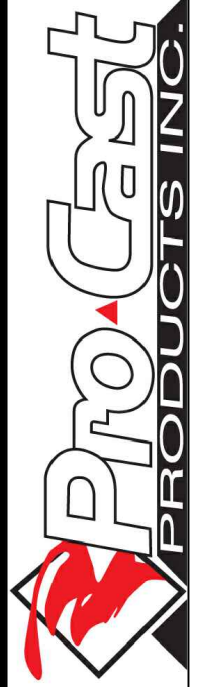
**A** END VIEW:  
 "A" SERIES



**B** PC TURN DOWN ELEVATION VIEW TYPE "B" - 1'-10" TALL  
 SEE R1 / S3 FOR REINF. / KEYWAY DETAILS: Scale: 1' = 1'-0"



**B** END VIEW:  
 "B" SERIES



PO Box 602, Highland, CA 92346  
 909-793-7602 phone 909-793-1283 fax  
 www.procastproducts.com

PROJECT NAME:

OWNERS/CLIENT:

DRAWN BY:	JAR	08/23/2013
REVISED BY:	JPL	03/30/2023
DESIGNED BY:	MR	06/01/2013
CHECKED BY:	DE	06/01/2013
SUBMITTED:	DE	08/26/2013
APPROVED:		
PLOT DATE:		08/26/2013

REVISION:

PROJECT NO.

SHEET TITLE:  
**FRONT & END VIEW  
 PC TURN DOWN**

SHEET NO.

**TD A & B**

Submitted for Approval: 03/30/2023

E:\3 - standard products folders\new standard product drawings\turn downs\1 ft.-7 in. & 1 ft.-10 in. n230002.dwg