

PRODUCT NAME:
4'-0" X 4'-0" LINT TRAP

DESCRIPTION:
450 GAL. CAP.

DESIGN SPECIFICATIONS

**DESIGNED FOR
 NON-TRAFFIC AREAS**

WITH DRY SOIL CONDITIONS (WATER LEVEL BELOW TANK). SUITABLE SUB-BASE BEDDED WITH GRANULAR MATERIAL SHALL BE PREPARED TO HANDLE ANTICIPATED LOADS. FOR COMPLETE DESIGN AND PRODUCT INFORMATION, PLEASE CONTACT PRO-CAST PRODUCTS.

PRO-CAST PRODUCTS RESERVES THE RIGHT TO MAKE CHANGES TO PRODUCT DESIGN AND/OR DIMENSIONS WITHOUT NOTICE. PLEASE CONTACT PRO-CAST PRODUCTS WHENEVER NECESSARY FOR CONFIRMATION OR ADVICE ON PRODUCT DESIGN.

NOTES:

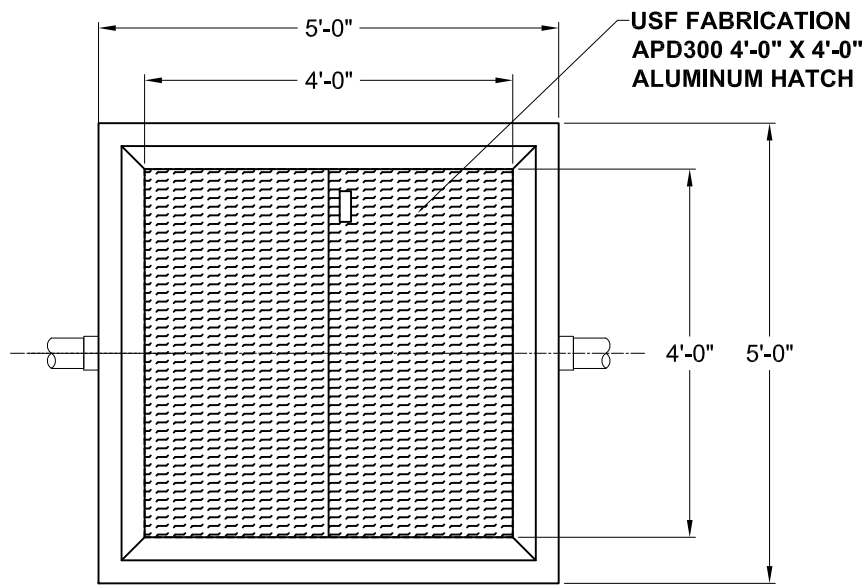
SCALE: 1/2" = 1'-0"

DRAWN BY: TPC 6/04/2018

REVISED BY:

CHECKED BY:

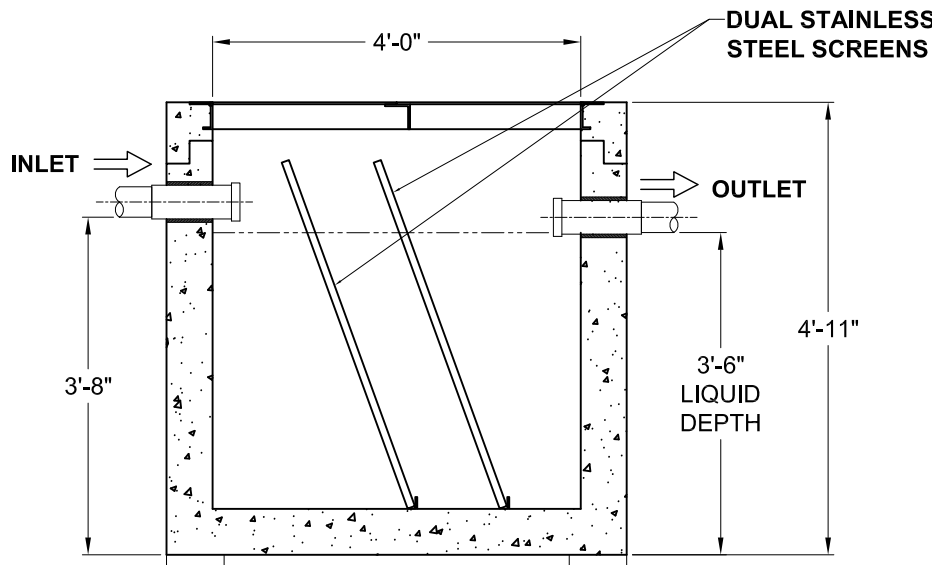
DRAWING NO. LT-1



PLAN VIEW

NOTES:

- 1- CONCRETE STRENGTH: F'c = 4,000 PSI MINIMUM.
- 2- DESIGN FOR NON-TRAFFIC AREAS.
- 3- HATCH IS SUPPLIED WITH SLAM LOCK, HOLD ARM, AND STAINLESS STEEL HARDWARE AS A MINIMUM.
- 4- 450 GALLON CAPACITY IS FROM FLOOR TO TOP OF THE SCREENS.



ELEVATION VIEW