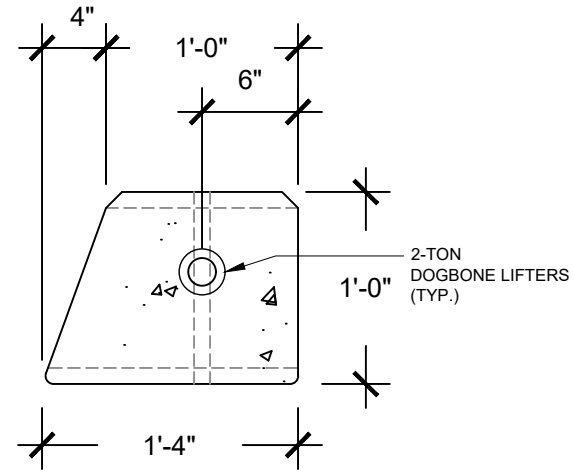


**ISOMETRIC**

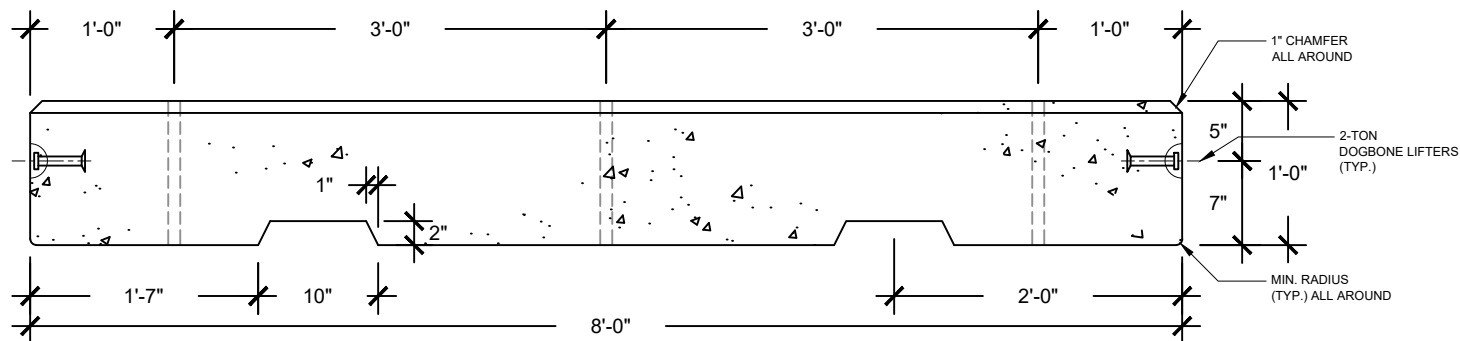
SCALE: 3/8"=1'-0"



**END DETAIL**

SCALE: 1"=1'-0"

Approx. Weight: 1200 lbs.  
 Due to forming, dimensions  
 could vary +/- 1"



**SIDE ELEVATION**

SCALE: 3/4"=1'-0"

**Large Wheel Barrier**

**Pro-Cast PRODUCTS INC.**  
 PO Box 602, Highland, CA 92346  
 909-793-7602 phone 909-793-1283 fax  
 www.procastproducts.com

PRODUCT NAME:  
**LARGE WHEEL BARRIER**

DESCRIPTION:  
**LARGE WHEEL BARRIER**

DESIGN SPECIFICATIONS

PRO-CAST PRODUCTS RESERVES THE RIGHT TO MAKE CHANGES TO PRODUCT DESIGN AND/OR DIMENSIONS WITHOUT NOTICE. PLEASE CONTACT PRO-CAST PRODUCTS WHENEVER NECESSARY FOR CONFIRMATION OR ADVICE ON PRODUCT DESIGN.

CONTENTS:  
 - ISOMETRIC  
 - END DETAIL  
 - SIDE ELEVATION

SCALE:	
DRAWN BY:	JPL 03/31/2023
REVISED BY:	
CHECKED BY:	** **
DRAWING NO.	<b>B-015</b>