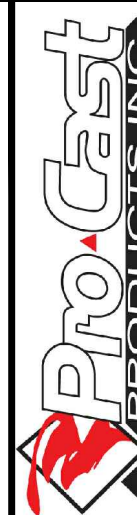


**ISOMETRIC**

SCALE: 1/4"=1'-0"

**Cal Trans Barrier Type K (20ft. Long)**  
**Terminal Section**



PO Box 602, Highland, CA 92346  
 909-793-7602 phone 909-793-1283 fax  
 www.procastproducts.com

PRODUCT NAME:  
**K-20 T**

DESCRIPTION:  
**CALTRANS TYPE K-20 T**

DESIGN SPECIFICATIONS

**2010 CALTRANS  
 STANDARD PLANS  
 & SPECIFICATIONS**

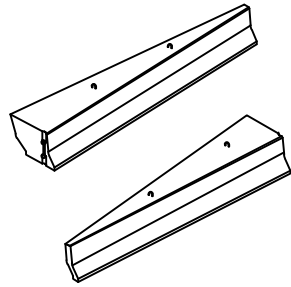
PRO-CAST PRODUCTS  
 RESERVES THE RIGHT TO  
 MAKE CHANGES TO  
 PRODUCT DESIGN AND/OR  
 DIMENSIONS WITHOUT  
 NOTICE. PLEASE CONTACT  
 PRO-CAST PRODUCTS  
 WHENEVER NECESSARY  
 FOR CONFIRMATION OR  
 ADVICE ON PRODUCT  
 DESIGN.

CONTENTS:

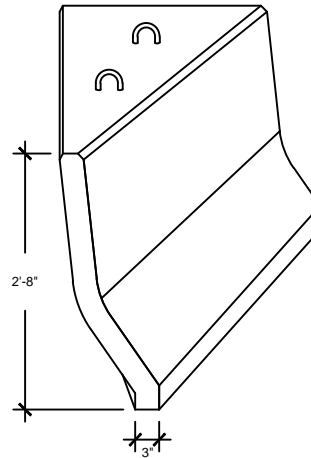
**- ISOMETRIC**

SCALE:	1/4"=1'-0"
DRAWN BY:	F.M. 12/06/2017
REVISED BY:	
CHECKED BY:	** **

DRAWING NO.  
**B-005A**

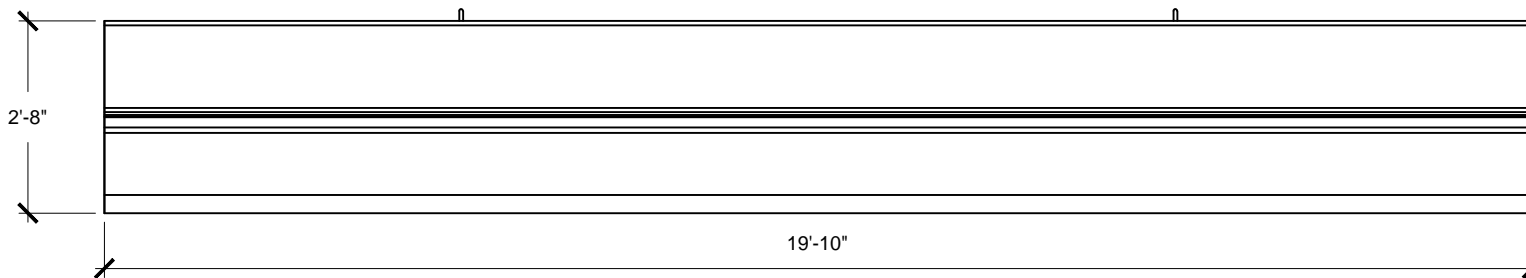


K-20 T



BARRIER END DETAIL

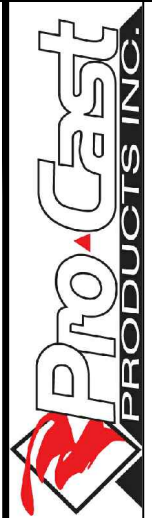
SCALE: 1/2"=1'-0"



SIDE ELEVATION

SCALE: 3/8"=1'-0"

Cal Trans Barrier Type K (20ft. Long)  
Terminal Section



PO Box 602, Highland, CA 92346  
909-793-7602 phone 909-793-1283 fax  
www.procastproducts.com

PRODUCT NAME:  
**K-20 T**

DESCRIPTION:  
**CALTRANS TYPE K-20 T**

DESIGN SPECIFICATIONS

**2010 CALTRANS  
STANDARD PLANS  
& SPECIFICATIONS**

PRO-CAST PRODUCTS  
RESERVES THE RIGHT TO  
MAKE CHANGES TO  
PRODUCT DESIGN AND/OR  
DIMENSIONS WITHOUT  
NOTICE. PLEASE CONTACT  
PRO-CAST PRODUCTS  
WHENEVER NECESSARY  
FOR CONFIRMATION OR  
ADVICE ON PRODUCT  
DESIGN.

CONTENTS:

- END DETAIL
- SIDE ELEVATION

SCALE:	
DRAWN BY:	F.M. 12/06/2017
REVISED BY:	
CHECKED BY:	** **

DRAWING NO.  
**B-005B**