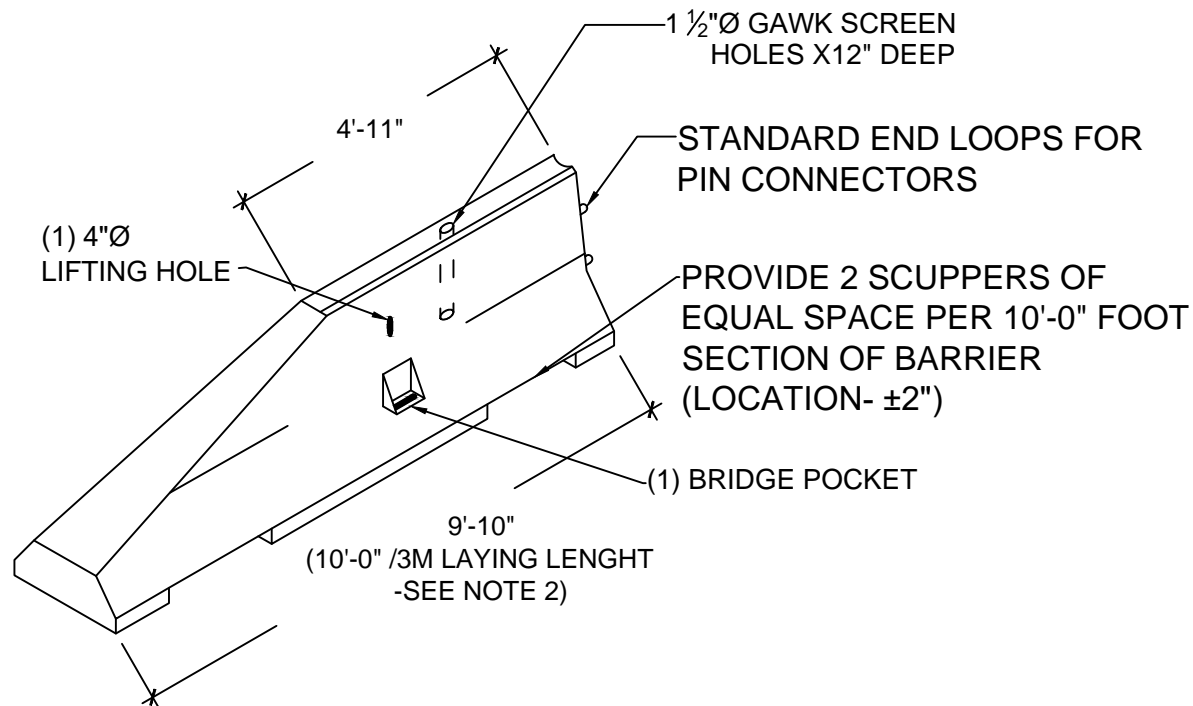


NOTES:

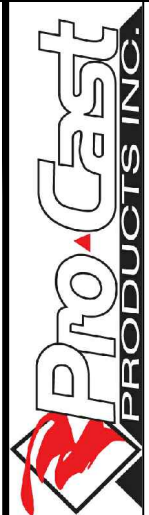
1. Weight = Approx. 3,250 lbs per piece.
2. Laying length between connector pins is 10'-0".
3. "Gawk" screen holes is 1½"Ø x 12" deep.
4. Cured in accordance with 2010 Caltrans Standard Specifications Section 90 -1.03B



ISOMETRIC

SCALE: 1/2"=1'-0"

**Cal Trans Barrier Type K(10ft.Long)
Sloping Section Terminal**



PO Box 602, Highland, CA 92346
909-793-7602 phone 909-793-1283 fax
www.procastproducts.com

PRODUCT NAME:
K-10 TS

DESCRIPTION:
CALTRANS TYPE K-10 TS

DESIGN SPECIFICATIONS

**2010 CALTRANS
STANDARD PLANS
& SPECIFICATIONS**

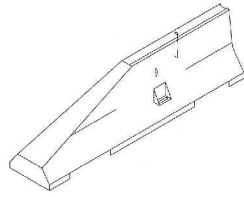
PRO-CAST PRODUCTS RESERVES THE RIGHT TO MAKE CHANGES TO PRODUCT DESIGN AND/OR DIMENSIONS WITHOUT NOTICE. PLEASE CONTACT PRO-CAST PRODUCTS WHENEVER NECESSARY FOR CONFIRMATION OR ADVICE ON PRODUCT DESIGN.

CONTENTS:

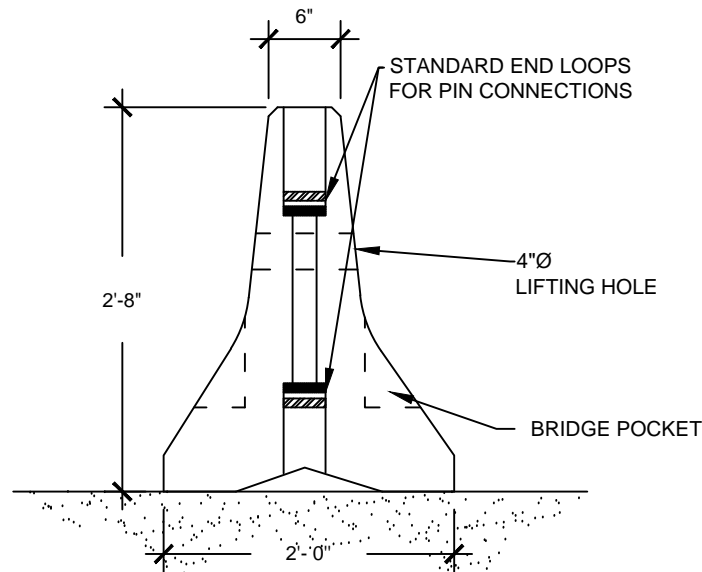
- ISOMETRIC

SCALE:	1/2"=1'-0"
DRAWN BY:	F.M. 12/06/2017
REVISED BY:	
CHECKED BY:	** **

DRAWING NO.
B-006A

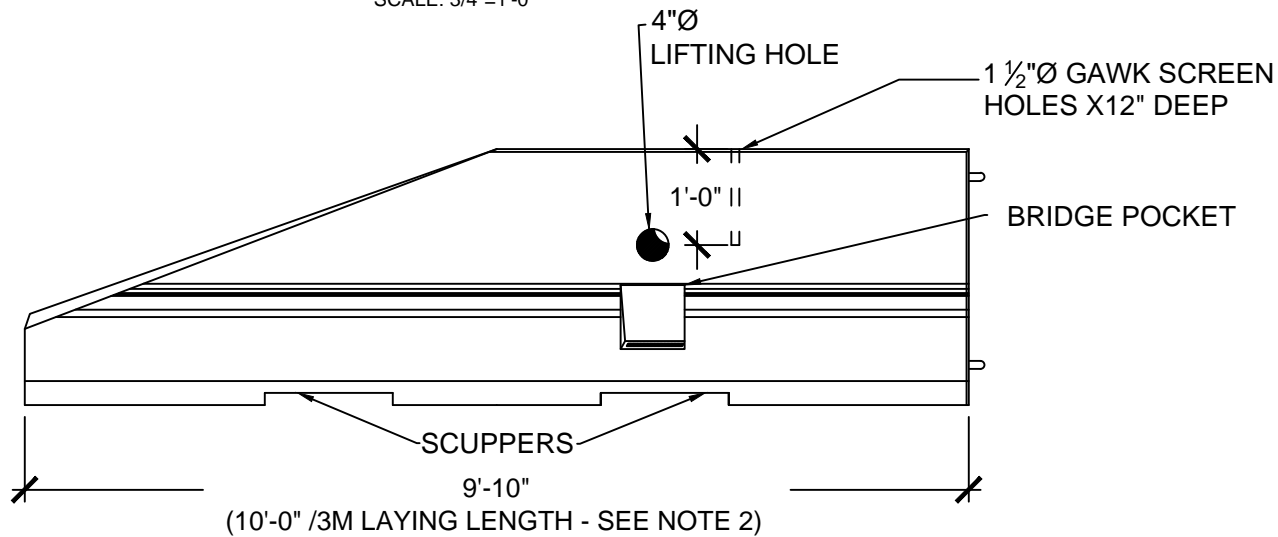


K- 10 TS



BARRIER END DETAIL

SCALE: 3/4"=1'-0"



SIDE ELEVATION

SCALE: 1/2"=1'-0"

**Cal Trans Barrier Type K(10ft.Long)
Sloping Terminal Section**

Pro-Cast PRODUCTS INC.
 PO Box 602, Highland, CA 92346
 909-793-7602 phone 909-793-1283 fax
 www.procastproducts.com

PRODUCT NAME:
K- 10 TS

DESCRIPTION:
CALTRANS TYPE K-10 TS

DESIGN SPECIFICATIONS

**2010 CALTRANS
STANDARD PLANS
& SPECIFICATIONS**

PRO-CAST PRODUCTS
RESERVES THE RIGHT TO
MAKE CHANGES TO
PRODUCT DESIGN AND/OR
DIMENSIONS WITHOUT
NOTICE. PLEASE CONTACT
PRO-CAST PRODUCTS
WHENEVER NECESSARY
FOR CONFIRMATION OR
ADVICE ON PRODUCT
DESIGN.

CONTENTS:

- END DETAIL
- SIDE ELEVATION

SCALE:	
DRAWN BY:	F.M. 12/06/2017
REVISED BY:	
CHECKED BY:	** **

DRAWING NO.
B-006B