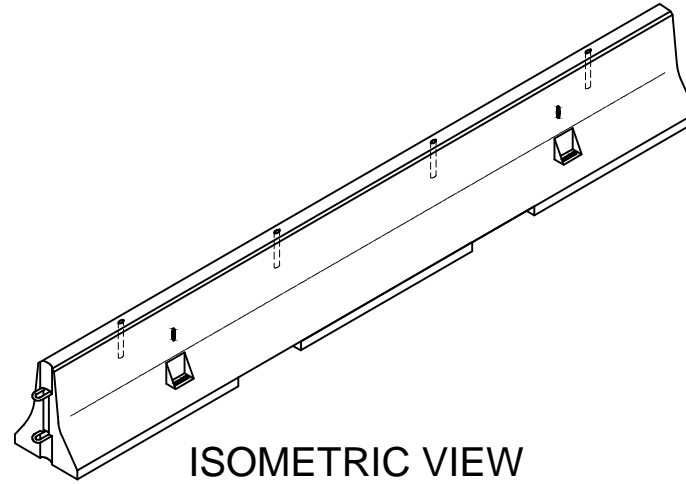


END DETAIL

SCALE: 1/2"=1'-0"

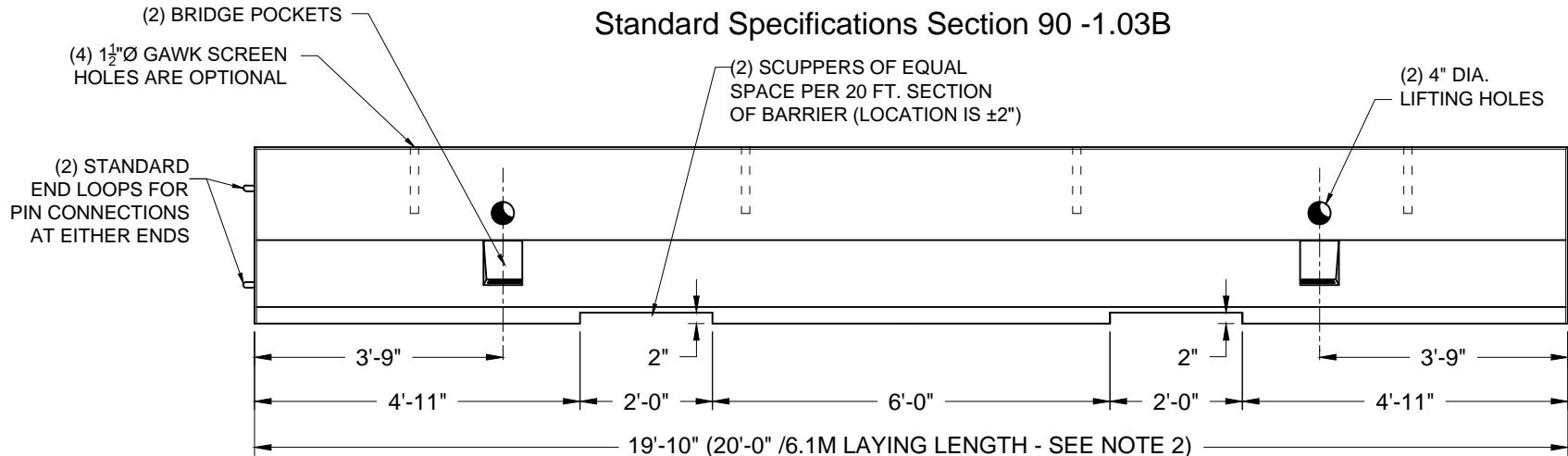


ISOMETRIC VIEW

SCALE: 3/16"=1'-0"

NOTES:

1. Weight = Approx. 7,800 lbs per piece.
2. Laying length between connector pins is 20'-0".
3. Optional "Gawk" screen holes are 1 1/2"Ø x 12" deep.
4. Cured in accordance with 2010 Caltrans Standard Specifications Section 90 -1.03B



FRONT ELEVATION

SCALE: 3/8"=1'-0"

Jersey Barrier J-20

Pro-Cast PRODUCTS INC.
 PO Box 602, Highland, CA 92346
 909-793-7602 phone 909-793-1283 fax
 www.procastproducts.com

PRODUCT NAME:
J-20

DESCRIPTION:
**JERSEY BARRIER
20 FT.**

DESIGN SPECIFICATIONS

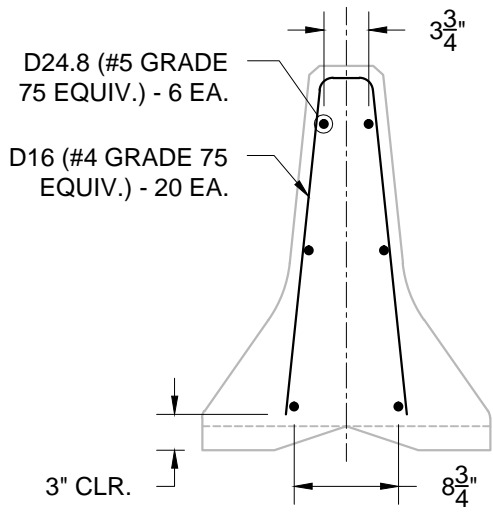
**STANDARD PLANS
& SPECIFICATIONS**

PRO-CAST PRODUCTS RESERVES THE RIGHT TO MAKE CHANGES TO PRODUCT DESIGN AND/OR DIMENSIONS WITHOUT NOTICE. PLEASE CONTACT PRO-CAST PRODUCTS WHENEVER NECESSARY FOR CONFIRMATION OR ADVICE ON PRODUCT DESIGN.

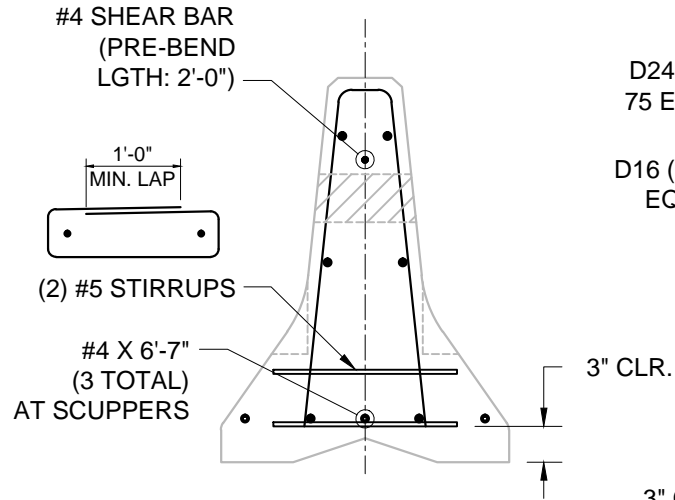
CONTENTS:
 - END DETAIL
 - FRONT ELEVATION
 - ISOMETRIC VIEW

SCALE:
 DRAWN BY: TPC 02/06/2018
 REVISED BY:
 CHECKED BY: ** **

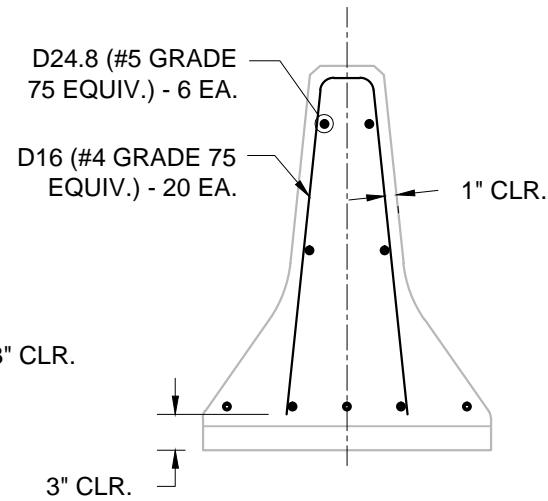
DRAWING NO.
B-018A



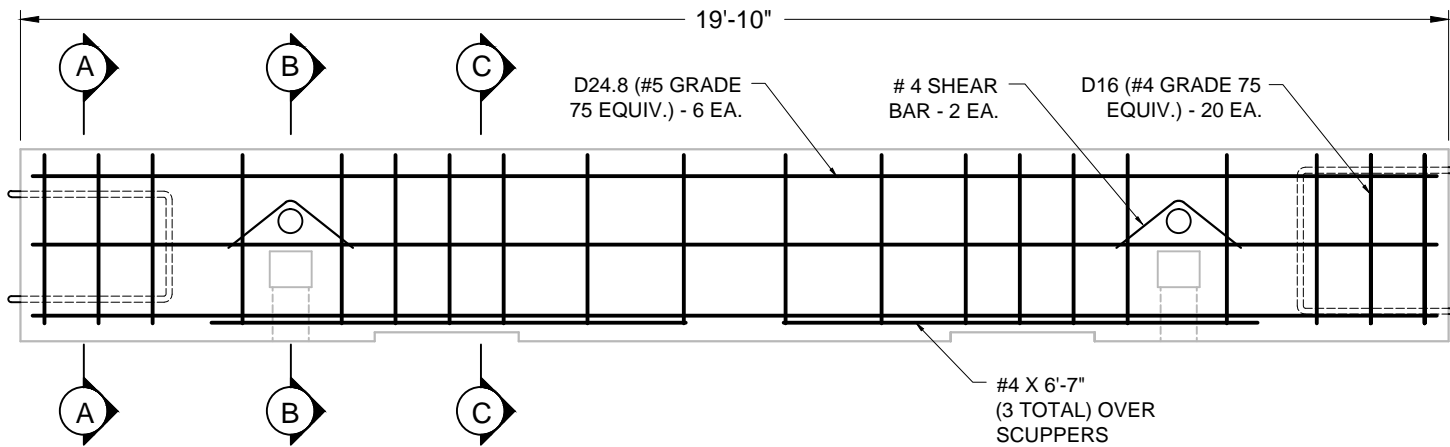
SECTION A-A
SCALE: 3/4" = 1'-0"



SECTION B-B
SCALE: 3/4" = 1'-0"



SECTION C-C
SCALE: 3/4" = 1'-0"



FRONT ELEVATION
SCALE: 3/8" = 1'-0"

Jersey Barrier J-20

Pro-Cast
PRODUCTS INC.

PO Box 602, Highland, CA 92346
909-793-7602 phone 909-793-1283 fax
www.procastproducts.com

PRODUCT NAME:	J-20
DESCRIPTION:	JERSEY BARRIER 20 FT.

DESIGN SPECIFICATIONS

**STANDARD PLANS
& SPECIFICATIONS**

PRO-CAST PRODUCTS RESERVES THE RIGHT TO MAKE CHANGES TO PRODUCT DESIGN AND/OR DIMENSIONS WITHOUT NOTICE. PLEASE CONTACT PRO-CAST PRODUCTS WHENEVER NECESSARY FOR CONFIRMATION OR ADVICE ON PRODUCT DESIGN.

CONTENTS:	STEEL DETAIL
------------------	---------------------

SCALE:	
DRAWN BY:	TPC 01/31/2018
REVISED BY:	
CHECKED BY:	** **
DRAWING NO.	B-018B