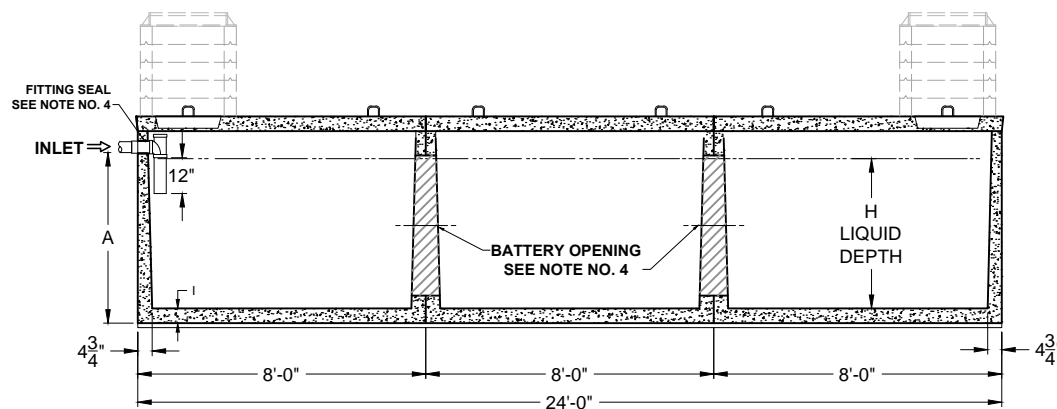
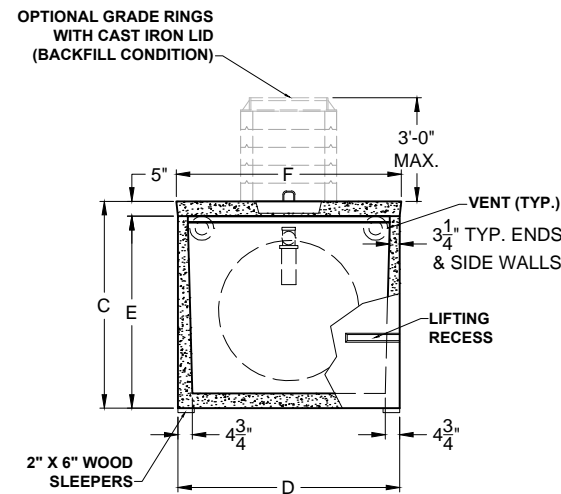


**PLAN VIEW**



**SECTION THRU "A-A"**



**SECTION THRU "B-B"**

ALL DIMENSIONS ARE IN INCHES & WEIGHTS IN LBS - (RISER WT. NOT INCLUDED)

MODEL	A	B	C	D	E	F	G	H	I	WEIGHT
H-LD-3-3750	57	N/A	69	74	64	75	N/A	50 1/2	4 1/2	43,125
H-LD-3-4500	60 1/2	N/A	72 1/2	85	67 1/2	86	N/A	53 1/2	5	50,985

EXCAVATION SPECIFICATIONS

MODEL	S-3750	S-4500		
LENGTH	27'-0"	27'-0"		
WIDTH	9'-2"	10'-1"		
BELOW INLET	4'-9"	5'-0 1/2"		
TANK HEIGHT	5'-9"	6'-01/2"		

PRODUCT NAME:  
**HOLDING TANK**

DESCRIPTION:  
WITH TWO MANHOLES & RISERS  
3750 TO 4500 GALLONS

**DESIGN SPECIFICATIONS**

DESIGN LOAD: PEDESTRIAN  
(300 PSF)

WITH DRY SOIL CONDITIONS (WATER LEVEL BELOW TANK). SUITABLE SUB-BASE BEDDED WITH GRANULAR MATERIAL SHALL BE PREPARED TO HANDLE ANTICIPATED LOADS. FOR COMPLETE DESIGN AND PRODUCT INFORMATION, PLEASE CONTACT PRO-CAST PRODUCTS.

PRO-CAST PRODUCTS RESERVES THE RIGHT TO MAKE CHANGES TO PRODUCT DESIGN AND/OR DIMENSIONS WITHOUT NOTICE. PLEASE CONTACT PRO-CAST PRODUCTS WHENEVER NECESSARY FOR CONFIRMATION OR ADVICE ON PRODUCT DESIGN.

**NOTES:**

- REFER TO SPECIFICATION SHEET NO. S-101
- REFER TO SPECIFICATION SHEET NOS. S-251 & S-252
- REFER TO SPECIFICATION SHEET NO. S-201
- REFER TO SPECIFICATION SHEET NO. S-250

SCALE: 3/16" = 1'-0"

DRAWN BY: TPC 9/14/2017

REVISED BY:

CHECKED BY:

DRAWING NO.

**H-003**