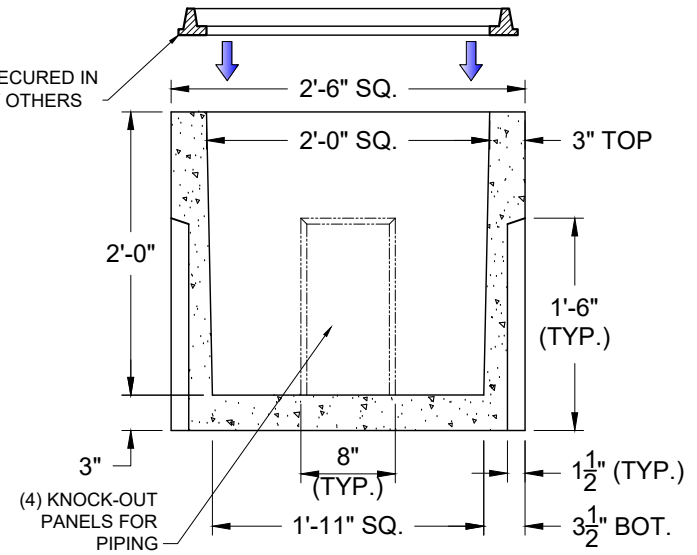


**MODEL CB-18 BASE**



**MODEL CB-24 BASE**

- NOTES:**
- 1- CONCRETE TYPE II PORTLAND CEMENT, ASTM C 260-86. MINIMUM COMPRESSIVE STRENGTH 3,000 PSI @ 28 DAYS.
  - 2- NO. 3 REINFORCING BAR - ASTM A 615, GRADE 40.
  - 3- SECONDARY REINFORCING: COLLATED FIBERILLATED POLYPROPYLENE FIBER.
  - 4- STRUCTURAL CALCULATIONS AVAILABLE UPON REQUEST.
  - 5- EXTENSIONS TOP GRADE AVAILABLE IN 6", 12", 18", & 24" INCREMENTS. GRATE FRAME AVAILABLE - SECURED IN THE FIELD BY OTHERS.

**DESCRIPTION:**

**DRAINAGE CATCH BASINS**

**DESIGN SPECIFICATIONS**

**DESIGNED FOR H-20 LOADING**

WITH DRY SOIL CONDITIONS (WATER LEVEL BELOW TANK). SUITABLE SUB-BASE BEDDED WITH GRANULAR MATERIAL SHALL BE PREPARED TO HANDLE ANTICIPATED LOADS. FOR COMPLETE DESIGN AND PRODUCT INFORMATION, PLEASE CONTACT PRO-CAST PRODUCTS.

PRO-CAST PRODUCTS RESERVES THE RIGHT TO MAKE CHANGES TO PRODUCT DESIGN AND/OR DIMENSIONS WITHOUT NOTICE. PLEASE CONTACT PRO-CAST PRODUCTS WHENEVER NECESSARY FOR CONFIRMATION OR ADVICE ON PRODUCT DESIGN.

NOTES: REF. DWG. #1104

SCALE:	NOT TO SCALE
DRAWN BY:	TPC 07/13/2022
REVISED BY:	
CHECKED BY:	

DRAWING NO.  
**CB1a**