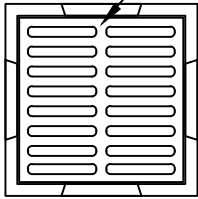
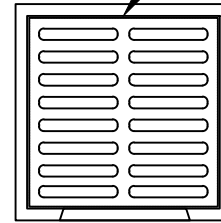


2012 CAST IRON GRATE WITH FABRICATED STEEL
FRAME DESIGNED FOR H-20 VEHICLE LOADING
GRATE SIZE 20" X 20"

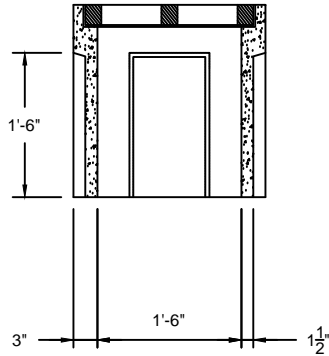


MODEL CB-18

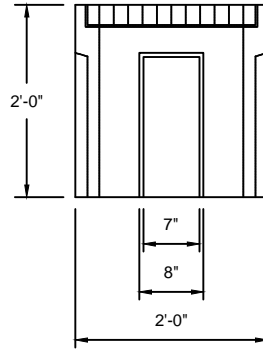
2012 CAST IRON GRATE WITH FABRICATED STEEL
FRAME DESIGNED FOR H-20 VEHICLE LOADING
GRATE SIZE 26" X 26"



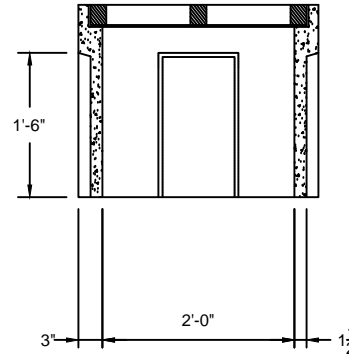
MODEL CB-24



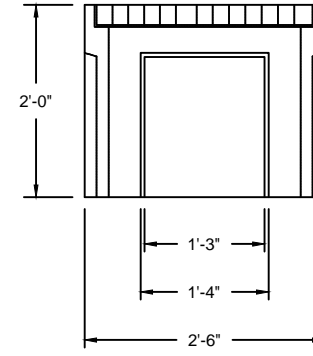
SECTION



SIDE VIEW



SECTION



SIDE VIEW

NOTES:

1. CONCRETE TYPE II PORTLAND CEMENT ASTM C 260-86.
MINIMUM COMPRESSIVE STRENGTH 3,000 PSI AT 28 DAYS.
2. REINFORCING BAR ASTM A615, GRADE 40. REINFORCING BAR NO. 3 BAR.
3. SECONDARY REINFORCING COLLATED FIBRILLATED POLYPROPYLENE FIBER.
4. STRUCTURAL CALCULATIONS AVAILABLE UPON REQUEST.
5. EXTENSIONS TO GRADE AVAILABLE IN 6", 12", 18", AND 24" INCREMENTS. GRATE FRAME AVAILABLE
CAST INTO EXTENSIONS OR MAY BE PROVIDED SEPARATE TO BE CAST INTO GRADE SLAB.
6. AVAILABLE WITH BOTTOM-ADD 3" TO OVERALL HEIGHT.

DRAINAGE CATCH BASINS
18" AND 24" SQUARE
MODELS CB-18 AND CB-24
SCALE: 1/2" = 1'-0"



Sheet No.

REF. 1104 REV. 05/08/2014