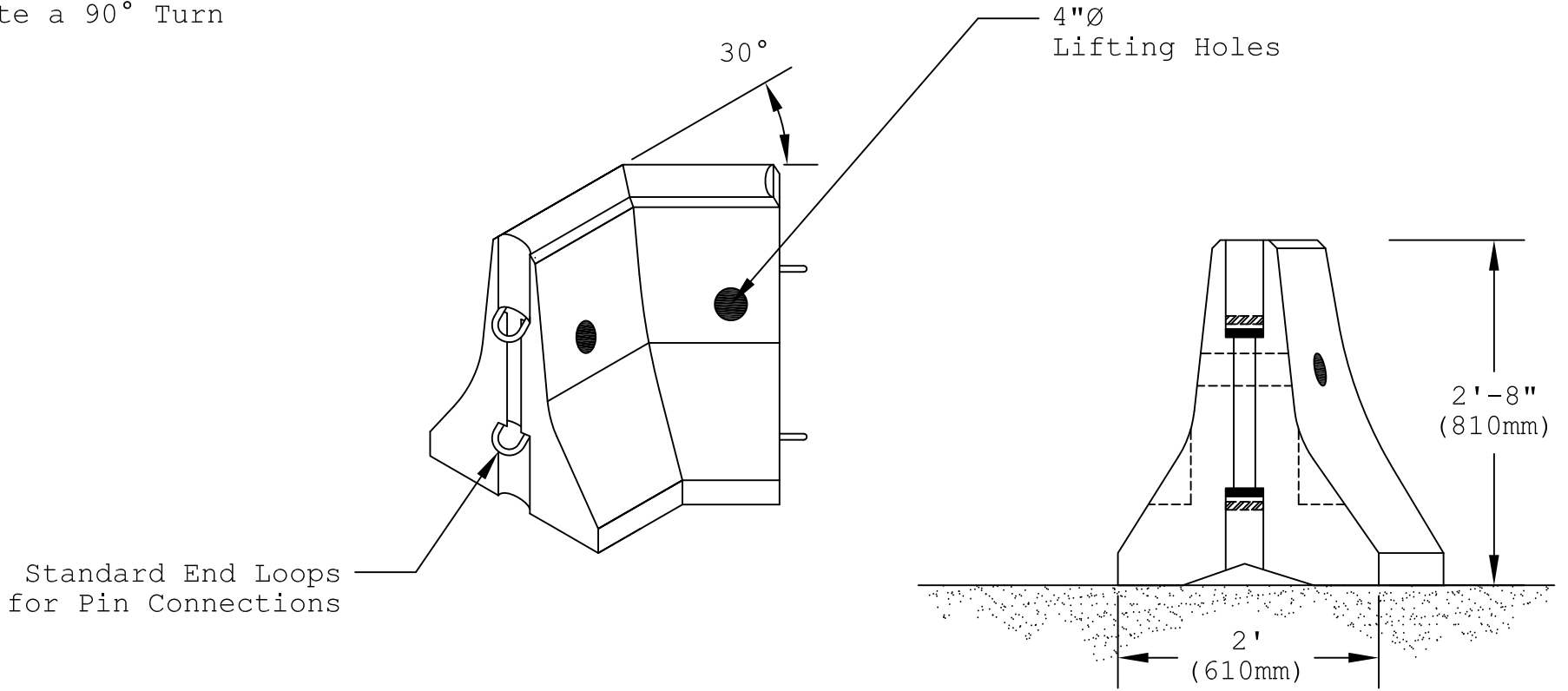


# 30° Barrier Rail Corner Piece Type K

**Notes:**

- 1) Weight = Approx. 1,000 lbs per piece
- 2) 30° Pieces x 3 will create a 90° Turn



**Barrier End Detail**

Pro-Cast Products Inc.  
P.O. Box 602  
27417 E. 3rd St.  
Highland, CA 92346  
Phone: (909) 793-7602  
Fax: (909) 793-1283  
www.procastproducts.com

Created:	3/3/11	CWA
Modified:		
Modified:		
Modified:		
Modified:		
Modified:		

Barrier Rail  
Type K  
30° Corner Piece

