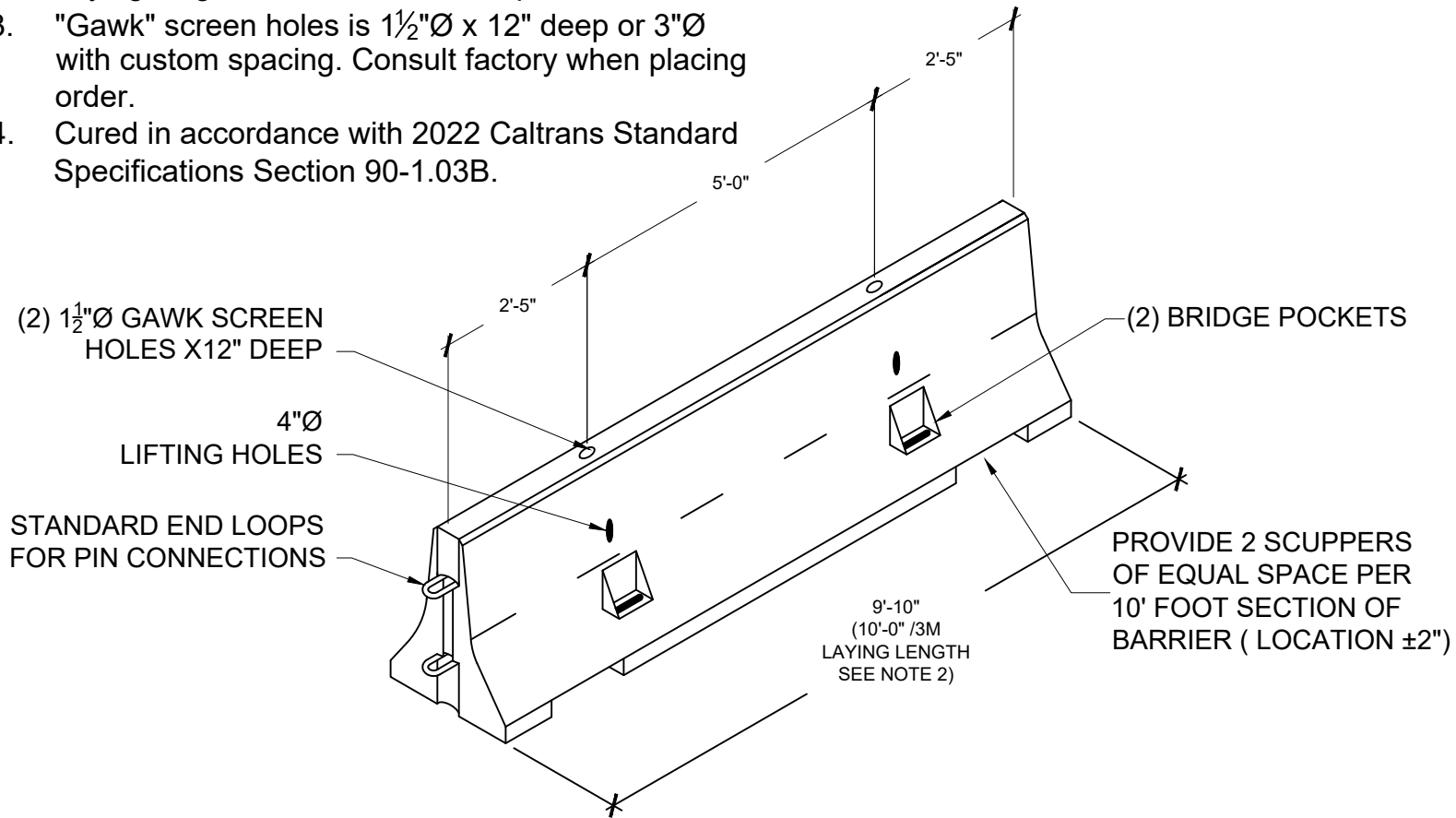


**Notes:**

1. Weight = Approx. 3,900 lbs per piece.
2. Laying length between connector pins is 10'-0".
3. "Gawk" screen holes is 1½"Ø x 12" deep or 3"Ø with custom spacing. Consult factory when placing order.
4. Cured in accordance with 2022 Caltrans Standard Specifications Section 90-1.03B.



ISOMETRIC

SCALE: 3/8"=1'-0"

**Barrier Type K-10**



PRODUCT NAME:  
**K-10**

DESCRIPTION:  
**TYPE K-10**

DESIGN SPECIFICATIONS

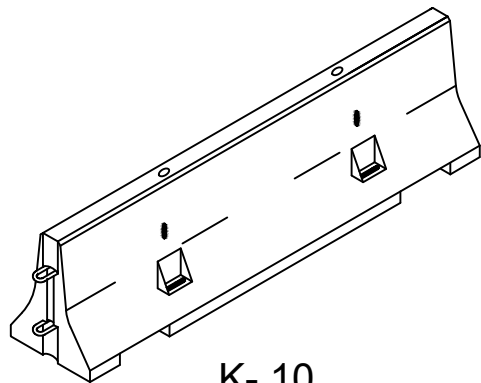
PRO-CAST PRODUCTS RESERVES THE RIGHT TO MAKE CHANGES TO PRODUCT DESIGN AND/OR DIMENSIONS WITHOUT NOTICE. PLEASE CONTACT PRO-CAST PRODUCTS WHENEVER NECESSARY FOR CONFIRMATION OR ADVICE ON PRODUCT DESIGN.

CONTENTS:

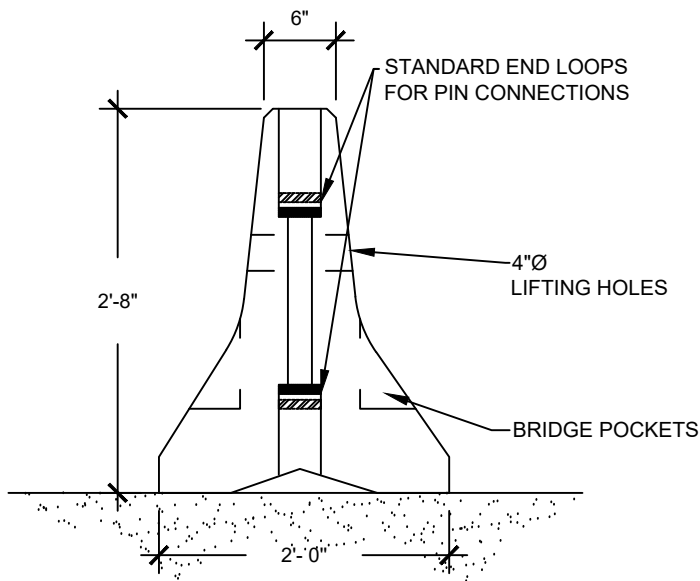
**- ISOMETRIC**

SCALE:	3/8"=1'-0"
DRAWN BY:	F.M. 12/06/2017
REVISED BY:	TPC 05/04/2023
CHECKED BY:	** **

DRAWING NO.  
**B-002A**

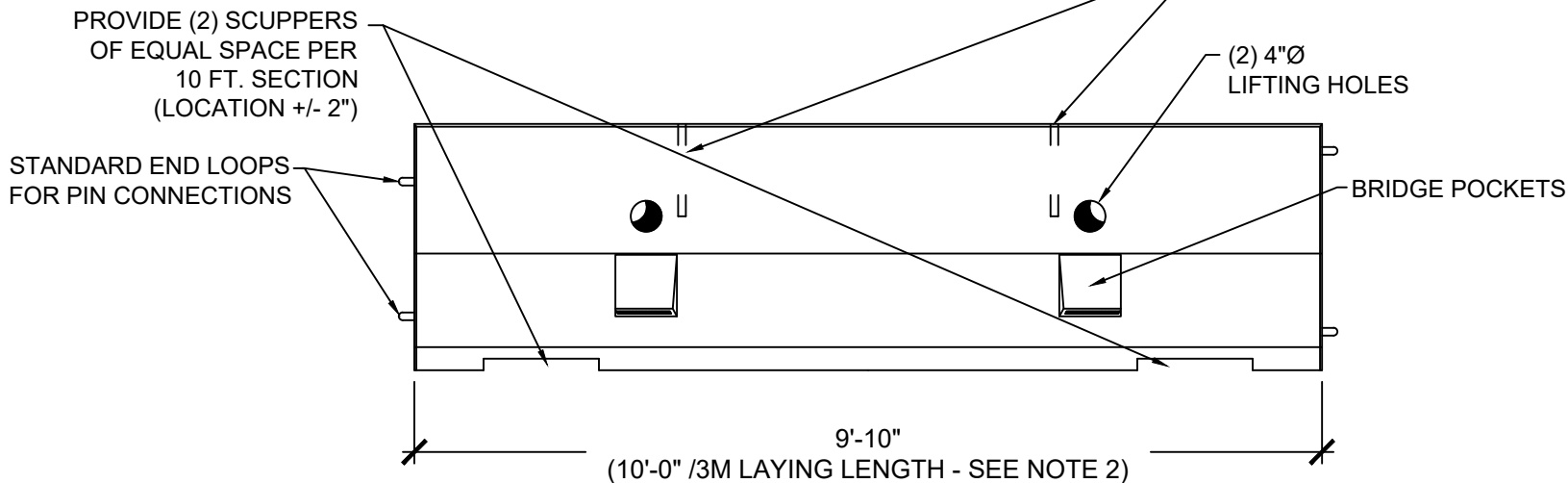


**K-10**



**BARRIER END DETAIL**

SCALE: 3/4"=1'-0"



**FRONT ELEVATION**

SCALE: 1/2"=1'-0"

**Barrier Type K-10**



PO Box 602, Highland, CA 92346  
 909-793-7602 phone 909-793-1283 fax  
 www.procastproducts.com

PRODUCT NAME:

**K-10**

DESCRIPTION:

**TYPE K-10**

DESIGN SPECIFICATIONS

PRO-CAST PRODUCTS RESERVES THE RIGHT TO MAKE CHANGES TO PRODUCT DESIGN AND/OR DIMENSIONS WITHOUT NOTICE. PLEASE CONTACT PRO-CAST PRODUCTS WHENEVER NECESSARY FOR CONFIRMATION OR ADVICE ON PRODUCT DESIGN.

CONTENTS:

- END DETAILS
- SIDE ELEVATIONS

SCALE:	
DRAWN BY:	F.M. 12/06/2017
REVISED BY:	TPC 05/04/2023
CHECKED BY:	** **

DRAWING NO.

**B-002B**