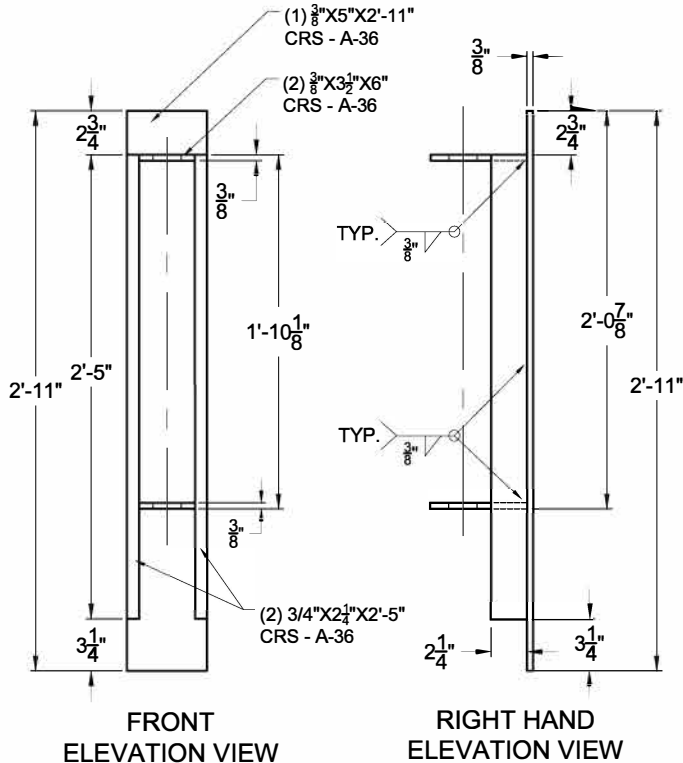
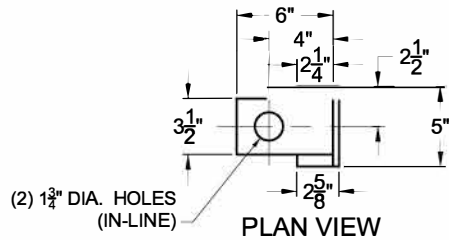


PLAN VIEW OF REMOVABLE RAIL LAYOUT



NOTES - TAKEN FROM CALTRANS 2022 STANDARD PLANS DRAWING A63B:

- "R" PANELS ARE TO BE PLACED AT A MAXIMUM OF 10 PANEL SEGMENT INTERVALS AND AT CONNECTIONS TO PERMANENT CONCRETE BARRIER. "R" PANELS PROVIDE FOR QUICK AND EASY PLACEMENT AND REMOVAL BY LATERAL MOVEMENT OF THE PANEL (NO NOTCHES ENDS). "N" PANELS HAVE CONCRETE NOTCHES AT EACH END OF THE PANEL. "T" PANELS HAVE A CONCRETE NOTCH AT ONE END OF THE PANEL AND A VERTICAL FACE AT THE OTHER END OF THE PANEL. NOTCHED END CONNECTIONS PLUS OVERLAPPING CONNECTION PLATES REQUIRE LONGITUDINAL MOVEMENT OF THE PANELS DURING PLACEMENT OR REMOVAL. IF PORTABLE CONCRETE BARRIER (TYPE 60K) IS TO BE REMOVED AFTER INSTALLATION, "R" PANELS ARE TO BE REMOVED FIRST TO FACILITATE REMOVAL OF THE REMAINING PANELS.
- REINFORCEMENT AND DIMENSIONING DETAILS FOR "R" AND "T" PANELS ARE SIMILAR TO THE "N" PANELS DETAILS SHOWN ON STANDARD PLAN A63A.
- MODIFY END OF PERMANENT CONCRETE BARRIER WITH THE INSTALLATION OF THE CONNECTION PLATES FOR CONNECTION PINS AND COVER PLATES. REMOVE 2" OF EXISTING TYPE 60 PERMANENT CONCRETE BARRIER TO INSTALL CONNECTION PLATES FOR "R" PANEL CONNECTION. WHERE THE CONNECTION TO EXISTING BARRIER REQUIRES A HEIGHT TRANSITION, REMOVED EXISTING BARRIER TO THE END OF THE HEIGHT TRANSITION.
- FOR ADDITIONAL DETAILS OF CONNECTION PLATE CONFIGURATION, SEE SECTIONS C-C AND D-D OF STANDARD PLAN A63A.

OPTIONAL COVER PLATES



PRODUCT NAME:
COVER PLATE

DESCRIPTION:
OPTIONAL COVER PLATES FOR 60K BARRIERS

DESIGN SPECIFICATIONS

2022 CALTRANS STANDARD PLANS & SPECIFICATIONS

PRO-CAST PRODUCTS RESERVES THE RIGHT TO MAKE CHANGES TO PRODUCT DESIGN AND/OR DIMENSIONS WITHOUT NOTICE. PLEASE CONTACT PRO-CAST PRODUCTS WHENEVER NECESSARY FOR CONFIRMATION OR ADVICE ON PRODUCT DESIGN.

CONTENTS:

- PLAN VIEW
- FRONT ELEVATION
- RH ELEVATION
- NOTES

SCALE: 1" = 1'-0"

DRAWN BY: TPC 5/01/2019

REVISED BY: TPC 1/30/2024

CHECKED BY: -- --

DRAWING NO.
CP-1