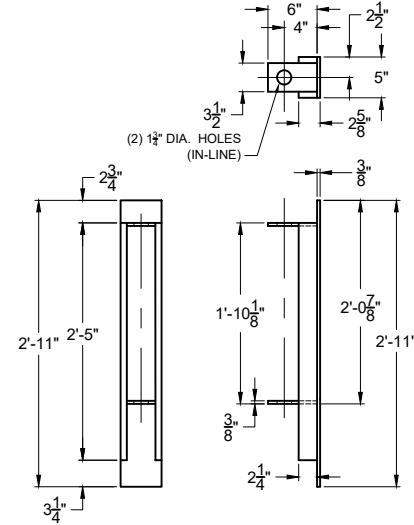
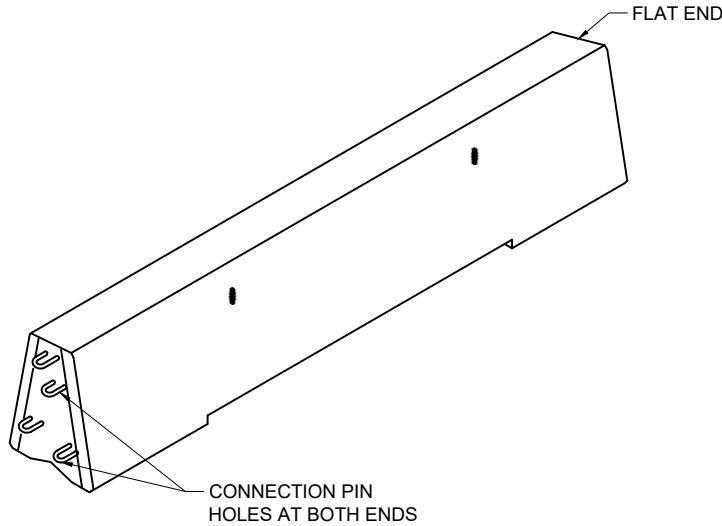


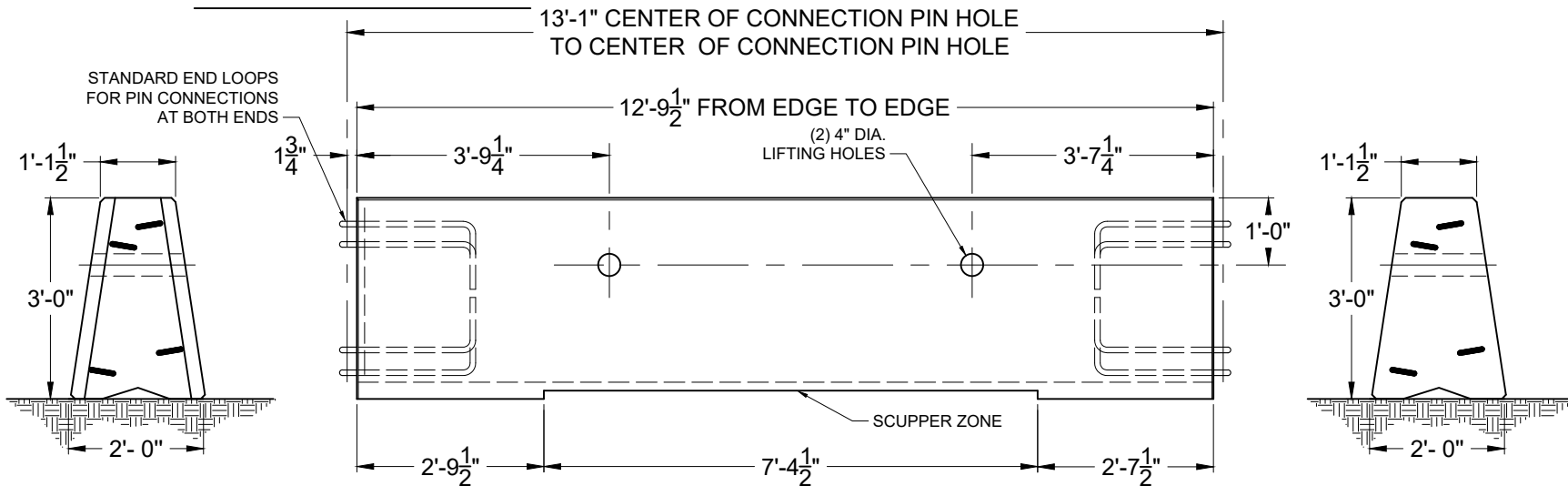
**NOTES:**

1- FOR ADDITIONAL DETAILS AND INFORMATION, REFER TO TO THE 2022 STANDARD PLANS DRAWING A63B.



OPTIONAL COVER PLATE  
(SEE SHT. CP-1 FOR DETAILS)

**ISOMETRIC VIEW**



**END VIEW**

SCALE: 3/8"=1'-0"

**FRONT ELEVATION**

SCALE: 3/8"=1'-0"

**END VIEW**

SCALE: 3/8"=1'-0"

**Pro-Cast PRODUCTS INC.**  
 PO Box 602, Highland, CA 92346  
 909-793-7602 phone 909-793-1283 fax  
 www.procastproducts.com

PRODUCT NAME:  
**60K - TYPE "T"**

DESCRIPTION:  
CALTRANS TYPE 60K  
PORTABLE CONCRETE BARRIER

**DESIGN SPECIFICATIONS**

**2022 CALTRANS STANDARD PLANS & SPECIFICATIONS**

PRO-CAST PRODUCTS RESERVES THE RIGHT TO MAKE CHANGES TO PRODUCT DESIGN AND/OR DIMENSIONS WITHOUT NOTICE. PLEASE CONTACT PRO-CAST PRODUCTS WHENEVER NECESSARY FOR CONFIRMATION OR ADVICE ON PRODUCT DESIGN.

**CONTENTS:**

- ISOMETRIC VIEW
- END VIEW
- FRONT ELEVATION

SCALE:	3/8"=1'-0"
DRAWN BY:	TPC 2/08/2019
REVISED BY:	TPC 1/30/2024
CHECKED BY:	

DRAWING NO.  
**B-012-T**

**Portable Concrete Barrier (60K - TYPE "T")**