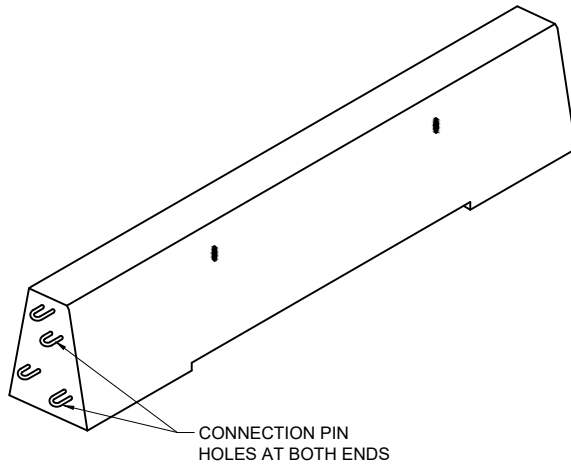
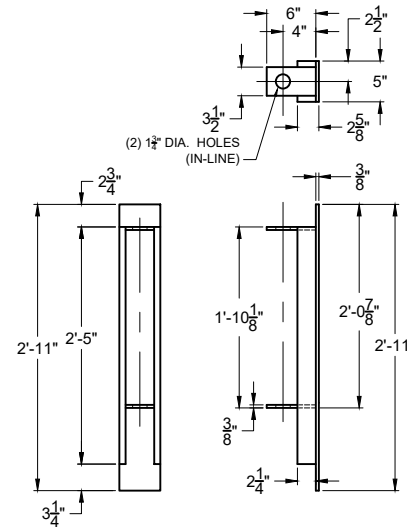


NOTES:

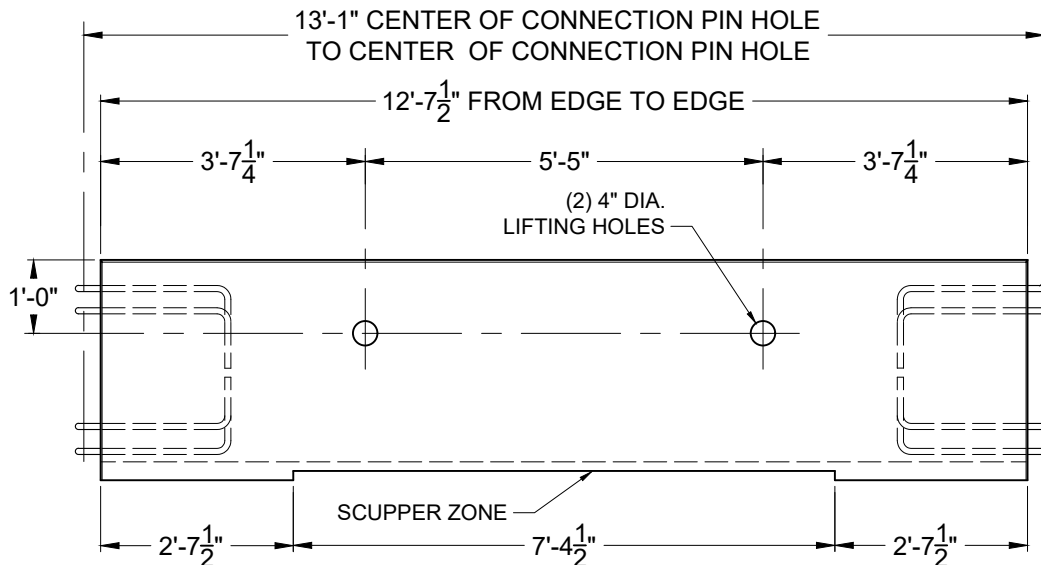
1- FOR ADDITIONAL DETAILS AND INFORMATION, REFER TO THE 2022 STANDARD PLANS DRAWING A63B.



ISOMETRIC VIEW

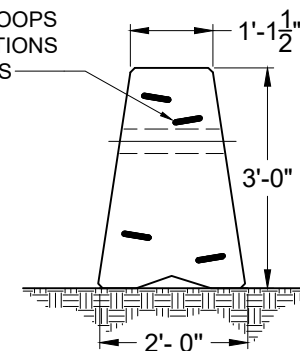


**OPTIONAL COVER PLATE
(SEE SHT. CP-1 FOR DETAILS)**



FRONT ELEVATION

SCALE: 3/8"=1'-0"



END VIEW

SCALE: 3/8"=1'-0"



**PRODUCT NAME:
60K - TYPE "R"**

**DESCRIPTION:
CALTRANS TYPE 60K
PORTABLE CONCRETE BARRIER**

DESIGN SPECIFICATIONS

**2022 CALTRANS
STANDARD PLANS
& SPECIFICATIONS**

PRO-CAST PRODUCTS RESERVES THE RIGHT TO MAKE CHANGES TO PRODUCT DESIGN AND/OR DIMENSIONS WITHOUT NOTICE. PLEASE CONTACT PRO-CAST PRODUCTS WHENEVER NECESSARY FOR CONFIRMATION OR ADVICE ON PRODUCT DESIGN.

CONTENTS:

- ISOMETRIC VIEW
- END VIEW
- FRONT ELEVATION

SCALE:	3/8"=1'-0"
DRAWN BY:	TPC 2/08/2019
REVISED BY:	TPC 1/30/2024
CHECKED BY:	

**DRAWING NO.
B-012-R**

Portable Concrete Barrier (60K - TYPE "R")