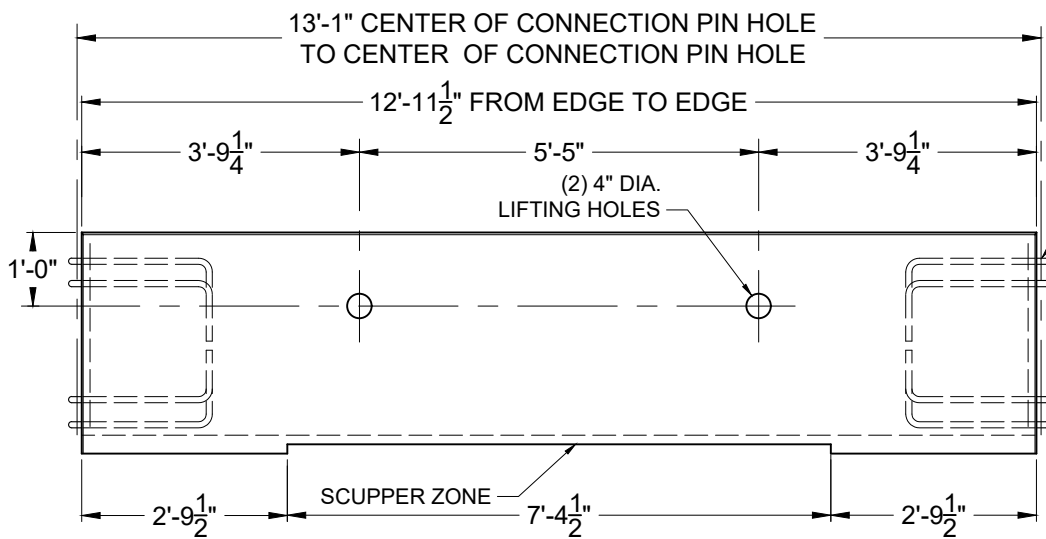


CONNECTION PIN HOLES AT BOTH ENDS

**ISOMETRIC VIEW**

NOTES:

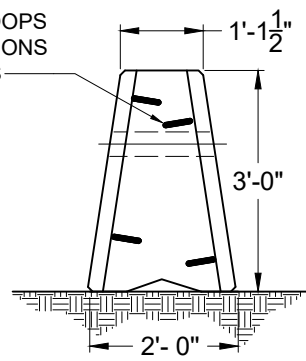
1- FOR ADDITIONAL DETAILS AND INFORMATION, REFER TO TO THE 2022 STANDARD PLANS DRAWING A63A.



**FRONT ELEVATION**

SCALE: 3/8"=1'-0"

STANDARD END LOOPS FOR PIN CONNECTIONS AT BOTH ENDS



**END VIEW**

SCALE: 3/8"=1'-0"

**Pro-Cast PRODUCTS INC.**  
 PO Box 602, Highland, CA 92346  
 909-793-7602 phone 909-793-1283 fax  
 www.procastproducts.com

PRODUCT NAME:  
**60K - TYPE "N"**

DESCRIPTION:  
 CALTRANS TYPE 60K  
 PORTABLE CONCRETE BARRIER

DESIGN SPECIFICATIONS  
**2022 CALTRANS  
 STANDARD PLANS  
 & SPECIFICATIONS**

PRO-CAST PRODUCTS RESERVES THE RIGHT TO MAKE CHANGES TO PRODUCT DESIGN AND/OR DIMENSIONS WITHOUT NOTICE. PLEASE CONTACT PRO-CAST PRODUCTS WHENEVER NECESSARY FOR CONFIRMATION OR ADVICE ON PRODUCT DESIGN.

CONTENTS:  
 - ISOMETRIC VIEW  
 - END VIEW  
 - FRONT ELEVATION

SCALE:	3/8"=1'-0"
DRAWN BY:	TPC 2/08/2019
REVISED BY:	TPC 1/30/2024
CHECKED BY:	

DRAWING NO.  
**B-012-N**

**Portable Concrete Barrier (60K - TYPE "N")**