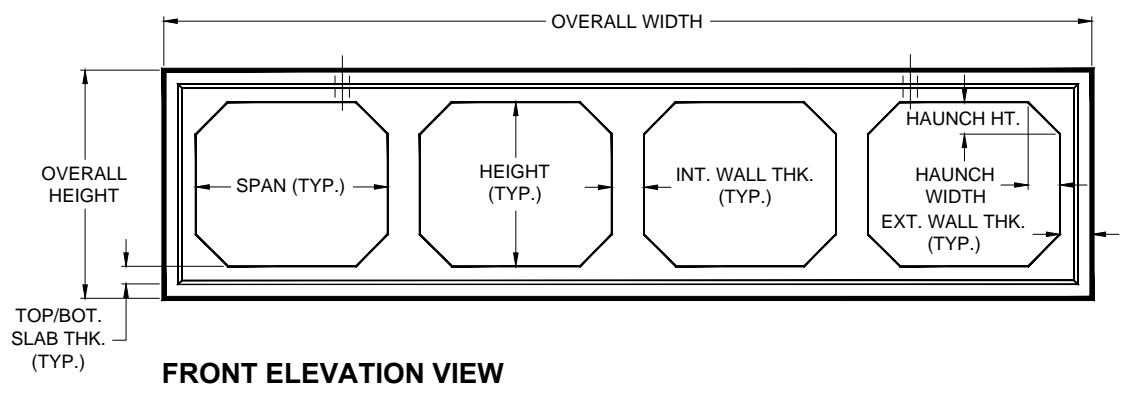
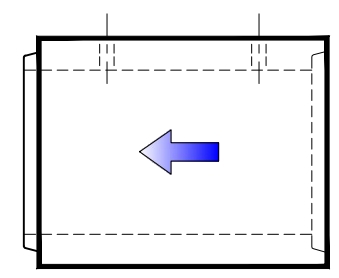


PLAN VIEW



FRONT ELEVATION VIEW



SIDE ELEVATION VIEW

PRODUCT NAME:
BOX CULVERT

DESCRIPTION:
QUAD CELL

DESIGN SPECIFICATIONS
PER PROJECT REQUIREMENTS

WITH DRY SOIL CONDITIONS SUITABLE SUB-BASE BEDDED WITH GRANULAR MATERIAL SHALL BE PREPARED TO HANDLE ANTICIPATED LOADS. FOR COMPLETE DESIGN AND PRODUCT INFORMATION, PLEASE CONTACT PRO-CAST PRODUCTS INC.

PLEASE CONTACT PRO-CAST PRODUCTS INC. WHENEVER NECESSARY FOR CONFIRMATION OR ADVICE ON PRODUCT DESIGN.

NOTES:

1. DESIGN CODE & LOAD SHALL BE AS PER PROJECT REQUIREMENTS.
2. CONCRETE MINIMUM COMPRESSIVE STRENGTH = 5,000/6,000 P.S.I.
- 3- WELDED WIRE MESH YIELD STRENGTH = 70,000 P.S.I.
- 4- REINFORCEMENT BAR YIELD STRENGTH = 60,000 P.S.I.

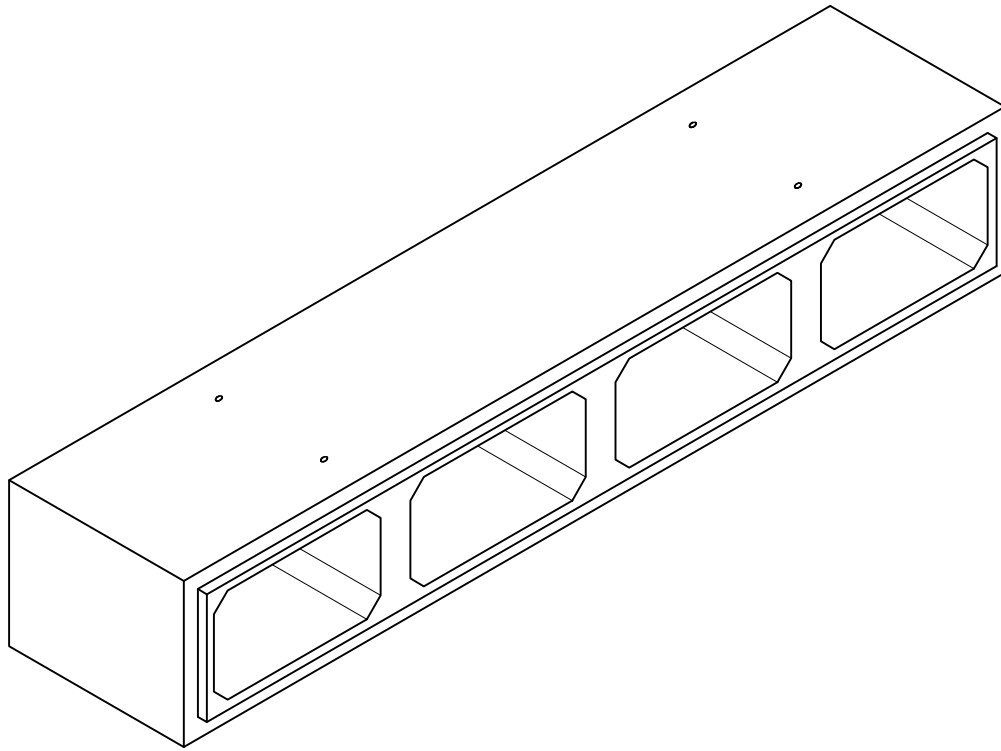
SCALE: NOT TO SCALE

DRAWN BY: TPC 11/20/2017

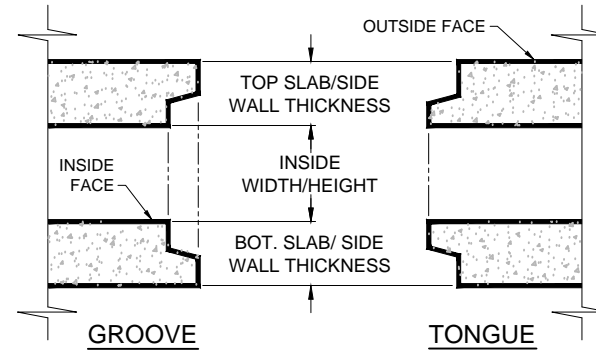
REVISED BY:

CHECKED BY:

DRAWING NO.
BC-004A

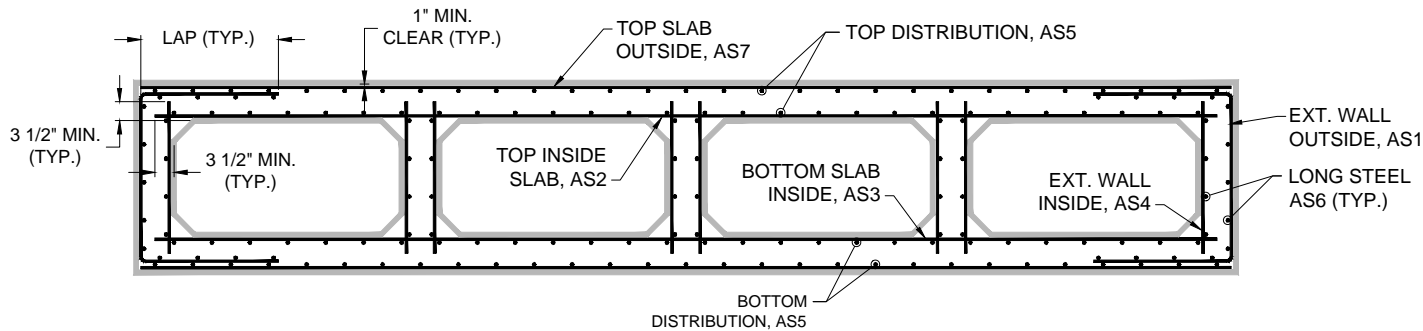


ISOMETRIC VIEW



JOINT TYPICAL DETAIL (NO SCALE)

NOTE:
 INTERIOR & EXTERIOR WIRE MESH SHEETS MAYBE
 A (2) OR (4) SHEET CONFIGURATION DEPENDING
 ON BOX CULVERT SIZE AND PROJECT
 SPECIFICATION REQUIREMENTS



STRUCTURAL DETAIL

Pro-Cast
PRODUCTS INC.
 PO Box 602, Highland, CA 92346
 909-793-7602 phone 909-793-1283 fax
 www.procastproducts.com

PRODUCT NAME:
BOX CULVERT

DESCRIPTION:
QUAD CELL

DESIGN SPECIFICATIONS
PER PROJECT
REQUIREMENTS

WITH DRY SOIL CONDITIONS
 SUITABLE SUB-BASE BEDDED
 WITH GRANULAR MATERIAL
 SHALL BE PREPARED TO
 HANDLE ANTICIPATED LOADS.
 FOR COMPLETE DESIGN AND
 PRODUCT INFORMATION,
 PLEASE CONTACT PRO-CAST
 PRODUCTS INC.

PLEASE CONTACT
 PRO-CAST PRODUCTS INC.
 WHENEVER NECESSARY
 FOR CONFIRMATION OR
 ADVICE ON PRODUCT
 DESIGN.

- NOTES:**
1. DESIGN CODE & LOAD SHALL BE AS PER PROJECT REQUIREMENTS.
 2. CONCRETE MINIMUM COMPRESSIVE STRENGTH = 5,000/6,000 P.S.I.
 - 3- WELDED WIRE MESH YIELD STRENGTH = 70,000 P.S.I.
 - 4- REINFORCEMENT BAR YIELD STRENGTH = 60,000 P.S.I.

SCALE: NOT TO SCALE
DRAWN BY: TPC 11/20/2017
REVISED BY:
CHECKED BY:

DRAWING NO.
BC-004B