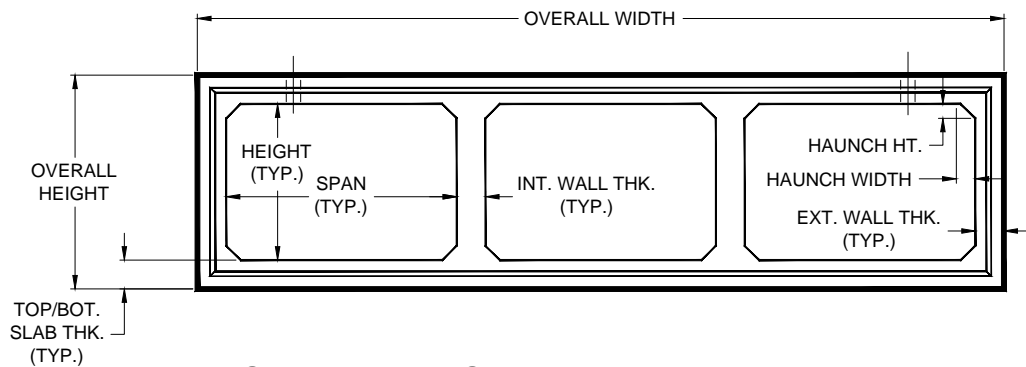
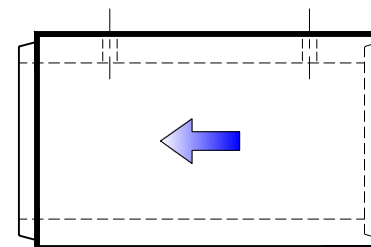


PLAN VIEW



FRONT ELEVATION VIEW



SIDE ELEVATION VIEW

Pro-Cast
PRODUCTS INC.
PO Box 602, Highland, CA 92346
909-793-7602 phone 909-793-1283 fax
www.procastproducts.com

PRODUCT NAME:
BOX CULVERT

DESCRIPTION:
TRIPLE CELL

DESIGN SPECIFICATIONS
PER PROJECT REQUIREMENTS

WITH DRY SOIL CONDITIONS
SUITABLE SUB-BASE BEDDED
WITH GRANULAR MATERIAL
SHALL BE PREPARED TO
HANDLE ANTICIPATED LOADS.
FOR COMPLETE DESIGN AND
PRODUCT INFORMATION,
PLEASE CONTACT PRO-CAST
PRODUCTS INC.

PLEASE CONTACT
PRO-CAST PRODUCTS INC.
WHENEVER NECESSARY
FOR CONFIRMATION OR
ADVICE ON PRODUCT
DESIGN.

NOTES:

1. DESIGN CODE & LOAD SHALL BE AS PER PROJECT REQUIREMENTS.
2. CONCRETE MINIMUM COMPRESSIVE STRENGTH = 5,000/6,000 P.S.I.
- 3- WELDED WIRE MESH YIELD STRENGTH = 70,000 P.S.I.
- 4- REINFORCEMENT BAR YIELD STRENGTH = 60,000 P.S.I.

SCALE: NOT TO SCALE

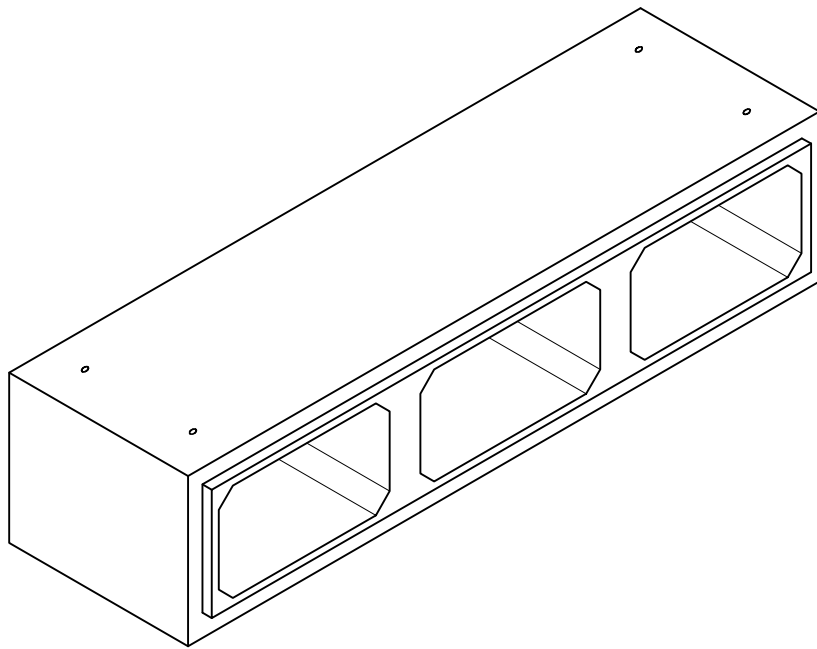
DRAWN BY: TPC 11/20/2017

REVISED BY:

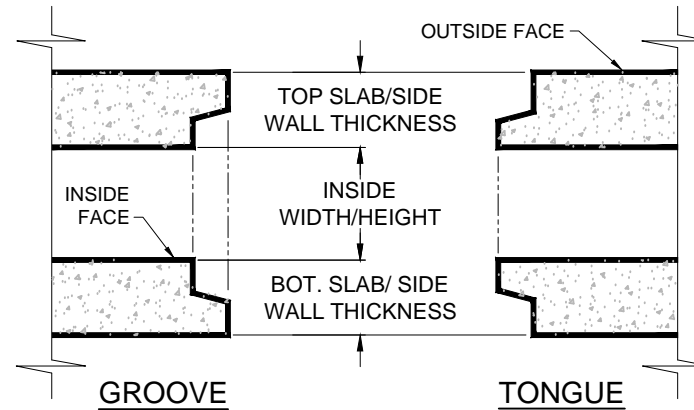
CHECKED BY:

DRAWING NO.

BC-003A

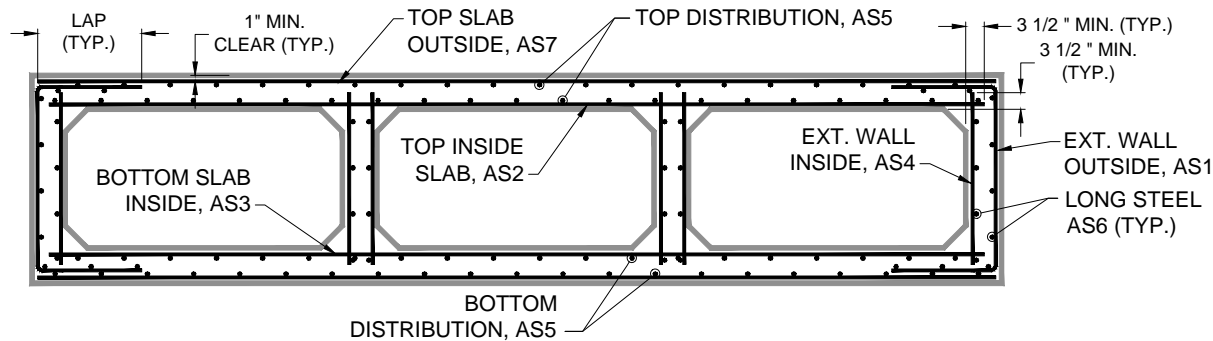


ISOMETRIC VIEW



JOINT TYPICAL DETAIL (NO SCALE)

NOTE:
 INTERIOR & EXTERIOR WIRE MESH SHEETS MAYBE
 A (2) OR (4) SHEET CONFIGURATION DEPENDING
 ON BOX CULVERT SIZE AND PROJECT
 SPECIFICATION REQUIREMENTS



STRUCTURAL DETAIL

Pro-Cast
 PRODUCTS INC.
 PO Box 602, Highland, CA 92346
 909-793-7602 phone 909-793-1283 fax
 www.procastproducts.com

PRODUCT NAME:
BOX CULVERT

DESCRIPTION:
TRIPLE CELL

DESIGN SPECIFICATIONS
PER PROJECT REQUIREMENTS

WITH DRY SOIL CONDITIONS SUITABLE SUB-BASE BEDDED WITH GRANULAR MATERIAL SHALL BE PREPARED TO HANDLE ANTICIPATED LOADS. FOR COMPLETE DESIGN AND PRODUCT INFORMATION, PLEASE CONTACT PRO-CAST PRODUCTS INC.

PLEASE CONTACT PRO-CAST PRODUCTS INC. WHENEVER NECESSARY FOR CONFIRMATION OR ADVICE ON PRODUCT DESIGN.

NOTES:

1. DESIGN CODE & LOAD SHALL BE AS PER PROJECT REQUIREMENTS.
2. CONCRETE MINIMUM COMPRESSIVE STRENGTH = 5,000/6,000 P.S.I.
3. WELDED WIRE MESH YIELD STRENGTH = 70,000 P.S.I.
4. REINFORCEMENT BAR YIELD STRENGTH = 60,000 P.S.I.

SCALE:	NOT TO SCALE
DRAWN BY:	TPC 11/20/2017
REVISED BY:	
CHECKED BY:	
DRAWING NO.	
BC-003B	