

PO Box 602, Highland, CA 92346
 909-793-7602 phone 909-793-1283 fax
 www.procastproducts.com

PRODUCT NAME:
BOX CULVERT

DESCRIPTION:
SINGLE CELL

DESIGN SPECIFICATIONS
PER PROJECT
REQUIREMENTS

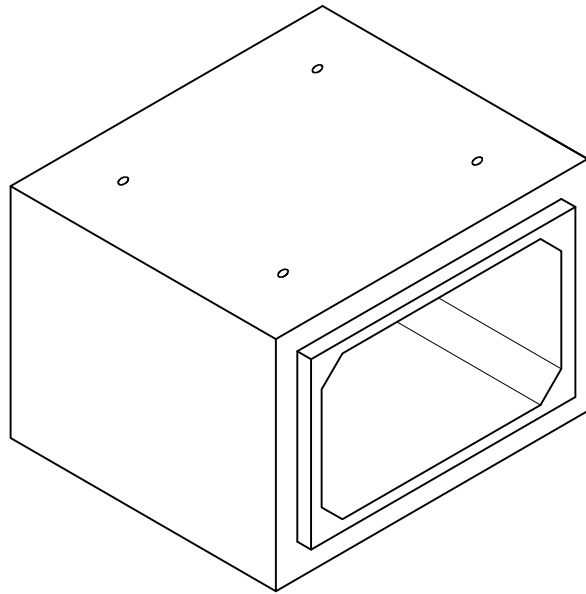
WITH DRY SOIL CONDITIONS SUITABLE SUB-BASE BEDDED WITH GRANULAR MATERIAL SHALL BE PREPARED TO HANDLE ANTICIPATED LOADS. FOR COMPLETE DESIGN AND PRODUCT INFORMATION, PLEASE CONTACT PRO-CAST PRODUCTS INC.

PLEASE CONTACT PRO-CAST PRODUCTS INC. WHENEVER NECESSARY FOR CONFIRMATION OR ADVICE ON PRODUCT DESIGN.

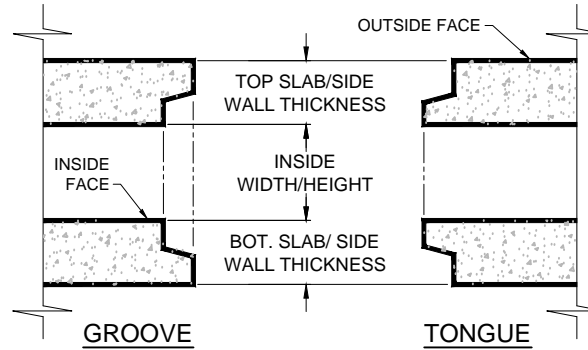
- NOTES:**
1. DESIGN CODE & LOAD SHALL BE AS PER PROJECT REQUIREMENTS.
 2. CONCRETE MINIMUM COMPRESSIVE STRENGTH = 5,000/6,000 P.S.I.
 - 3- WELDED WIRE MESH YIELD STRENGTH = 70,000 P.S.I.
 - 4- REINFORCEMENT BAR YIELD STRENGTH = 60,000 P.S.I.

SCALE:	NOT TO SCALE
DRAWN BY:	TPC 11/20/2017
REVISED BY:	
CHECKED BY:	

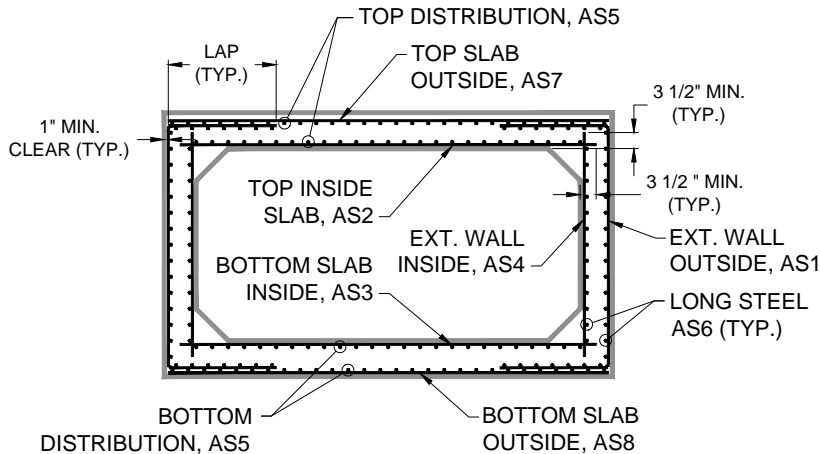
DRAWING NO.
BC-001A



ISOMETRIC VIEW

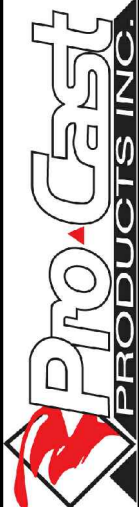


JOINT TYPICAL DETAIL (NO SCALE)



STRUCTURAL DETAIL

NOTE:
 INTERIOR & EXTERIOR WIRE MESH SHEETS MAYBE A (2) OR (4) SHEET CONFIGURATION DEPENDING ON BOX CULVERT SIZE AND PROJECT SPECIFICATION REQUIREMENTS



Pro-Cast
PRODUCTS INC.
 PO Box 602, Highland, CA 92346
 909-793-7602 phone 909-793-1283 fax
 www.procastproducts.com

PRODUCT NAME:
BOX CULVERT

DESCRIPTION:
SINGLE CELL

DESIGN SPECIFICATIONS
PER PROJECT REQUIREMENTS

WITH DRY SOIL CONDITIONS SUITABLE SUB-BASE BEDDED WITH GRANULAR MATERIAL SHALL BE PREPARED TO HANDLE ANTICIPATED LOADS. FOR COMPLETE DESIGN AND PRODUCT INFORMATION, PLEASE CONTACT PRO-CAST PRODUCTS INC.

PLEASE CONTACT PRO-CAST PRODUCTS INC. WHENEVER NECESSARY FOR CONFIRMATION OR ADVICE ON PRODUCT DESIGN.

- NOTES:**
1. DESIGN CODE & LOAD SHALL BE AS PER PROJECT REQUIREMENTS.
 2. CONCRETE MINIMUM COMPRESSIVE STRENGTH = 5,000/6,000 P.S.I.
 - 3- WELDED WIRE MESH YIELD STRENGTH = 70,000 P.S.I.
 - 4- REINFORCEMENT BAR YIELD STRENGTH = 60,000 P.S.I.

SCALE:	NOT TO SCALE
DRAWN BY:	TPC 11/20/2017
REVISED BY:	
CHECKED BY:	

DRAWING NO.
BC-001B