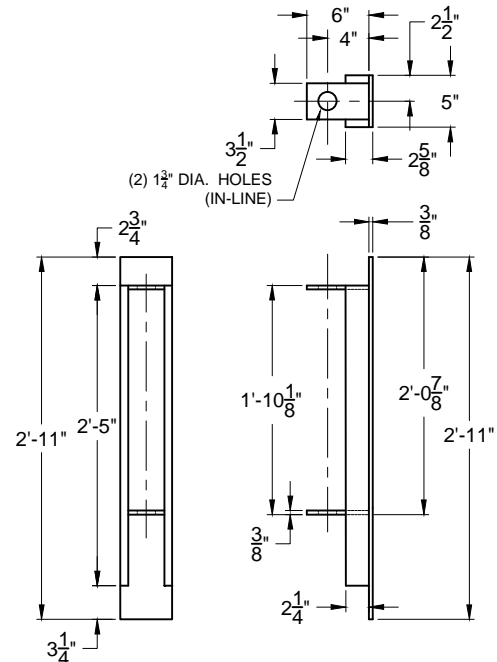
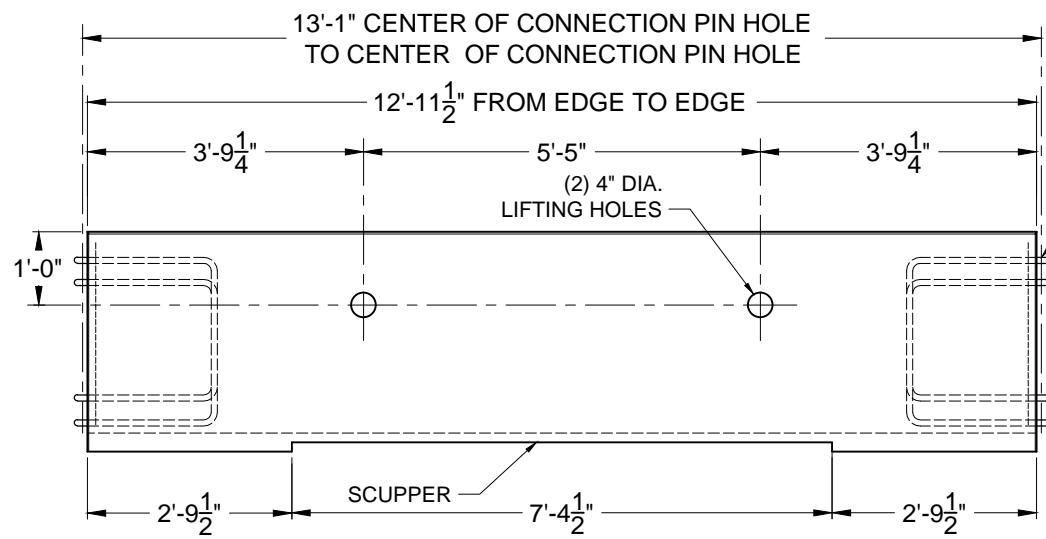


CONNECTION PIN HOLES AT BOTH ENDS

**ISOMETRIC VIEW**

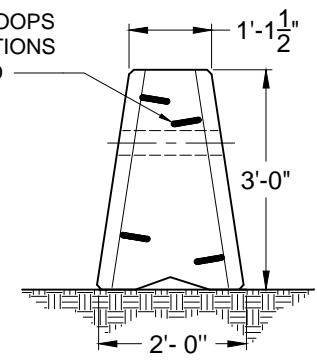


**OPTIONAL COVER PLATE  
(SEE DETAIL)**



**FRONT ELEVATION**

SCALE: 3/8"=1'-0"



**END VIEW**

SCALE: 3/8"=1'-0"

**Pro-Cast PRODUCTS INC.**  
 PO Box 602, Highland, CA 92346  
 909-793-7602 phone 909-793-1283 fax  
 www.procastproducts.com

**PRODUCT NAME:**  
**60K - TYPE "N"**

**DESCRIPTION:**  
 CALTRANS TYPE 60K  
 PORTABLE CONCRETE BARRIER

**DESIGN SPECIFICATIONS**  
**2015 CALTRANS  
 STANDARD PLANS  
 & SPECIFICATIONS**

PRO-CAST PRODUCTS RESERVES THE RIGHT TO MAKE CHANGES TO PRODUCT DESIGN AND/OR DIMENSIONS WITHOUT NOTICE. PLEASE CONTACT PRO-CAST PRODUCTS WHENEVER NECESSARY FOR CONFIRMATION OR ADVICE ON PRODUCT DESIGN.

**CONTENTS:**  
 - ISOMETRIC VIEW  
 - END VIEW  
 - FRONT ELEVATION

<b>SCALE:</b>	3/8"=1'-0"
<b>DRAWN BY:</b>	TPC 2/08/2019
<b>REVISED BY:</b>	TPC 5/01/2019
<b>CHECKED BY:</b>	K Y 5/01/2019
<b>DRAWING NO.</b>	<b>B-012-N</b>

**Portable Concrete Barrier (60K - TYPE "N")**

g:\3-standard products folder\new standard product drawings\barriers\barriers.dwg