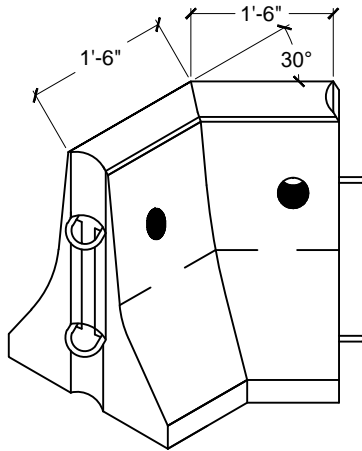
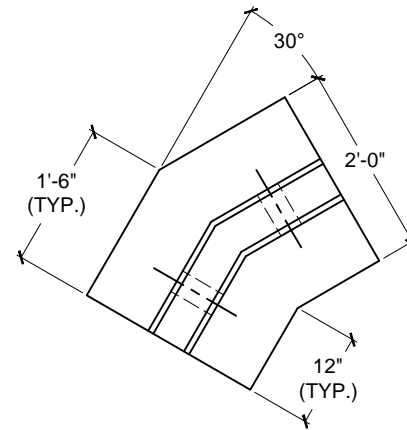


NOTES:

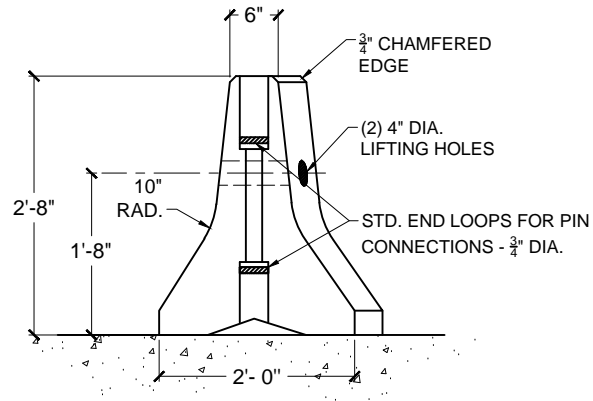
1. WEIGHT = APPROX. 975 LBS PER PIECE
2. LAYING LENGTH BETWEEN CONNECTOR PINS IS '0"
3. OPTIONAL "GAWK" SCREEN HOLES $1\frac{1}{2}"\text{Ø} \times 12"$ DEEP



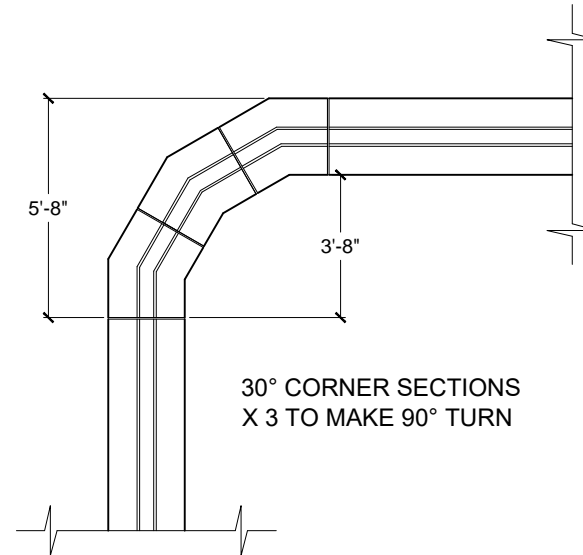
Barrier Type K(30 Deg.)
Corner Piece
ISOMETRIC VIEW



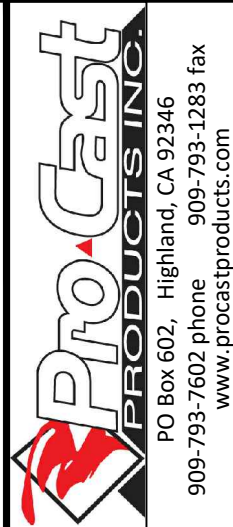
Barrier Type K(30 Deg.)
Corner Piece
PLAN VIEW



Barrier Type K(30 Deg.)
Corner Piece
ELEVATION VIEW



Barrier Type K(30 Deg.)
Corner Piece System
PLAN VIEW



PRODUCT NAME:
K-30C

DESCRIPTION:
TYPE K - 30 DEG.
CORNER BARRIER

DESIGN SPECIFICATIONS

PRO-CAST PRODUCTS RESERVES THE RIGHT TO MAKE CHANGES TO PRODUCT DESIGN AND/OR DIMENSIONS WITHOUT NOTICE. PLEASE CONTACT PRO-CAST PRODUCTS WHENEVER NECESSARY FOR CONFIRMATION OR ADVICE ON PRODUCT DESIGN.

CONTENTS:

ISOMETRIC

SCALE:	NOT TO SCALE
DRAWN BY:	TPC 09/04/2018
REVISED BY:	
CHECKED BY:	"" ""

DRAWING NO.
B-007A