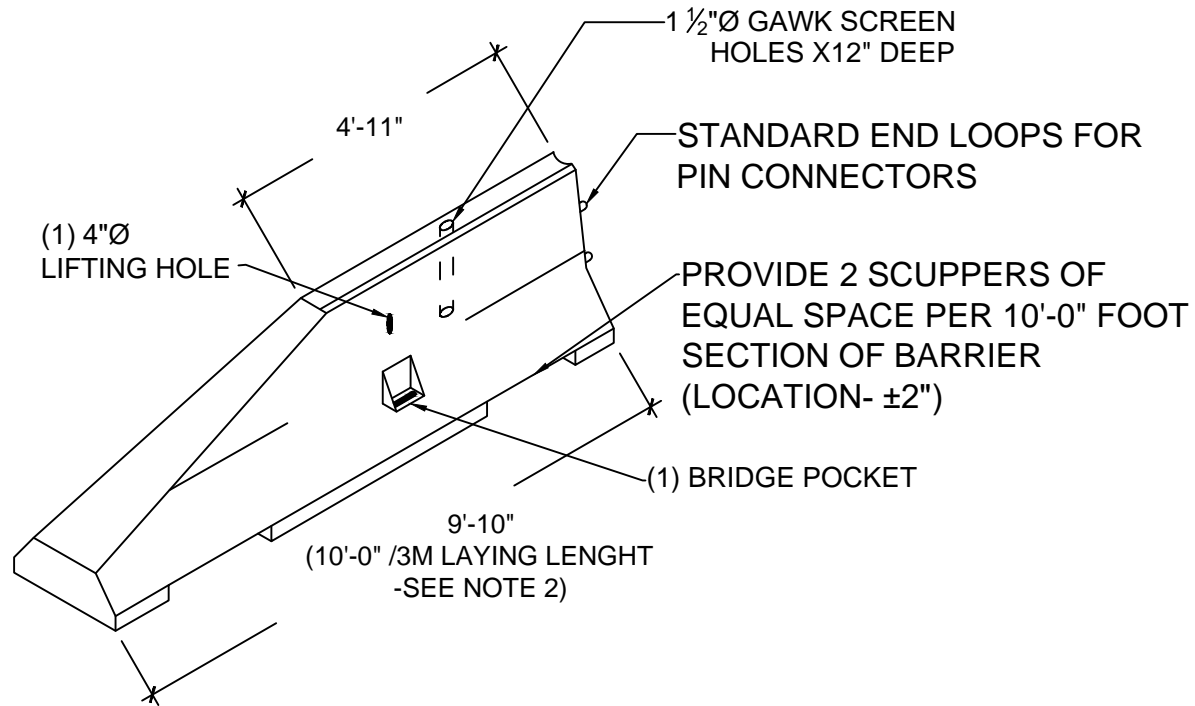


NOTES:

1. Weight = Approx. 3,250 lbs per piece.
2. Laying length between connector pins is 10'-0".
3. "Gawk" screen holes is 1½"Ø x 12" deep.
4. Cured in accordance with 2010 Caltrans Standard Specifications Section 90 -1.03B



ISOMETRIC

SCALE: 1/2"=1'-0"

**Barrier Type K(10ft.Long) Sloping
Section Terminal**

Pro-Cast
PRODUCTS INC.

PO Box 602, Highland, CA 92346
909-793-7602 phone 909-793-1283 fax
www.procastproducts.com

PRODUCT NAME:
K-10 TS

DESCRIPTION:
TYPE K-10 TS

DESIGN SPECIFICATIONS

PRO-CAST PRODUCTS RESERVES THE RIGHT TO MAKE CHANGES TO PRODUCT DESIGN AND/OR DIMENSIONS WITHOUT NOTICE. PLEASE CONTACT PRO-CAST PRODUCTS WHENEVER NECESSARY FOR CONFIRMATION OR ADVICE ON PRODUCT DESIGN.

CONTENTS:

ISOMETRIC

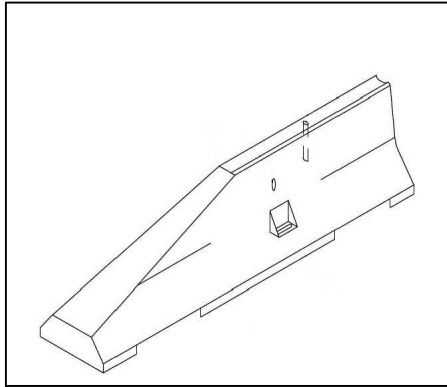
SCALE: 1/2"=1'-0"

DRAWN BY: F.M. 12/06/2017

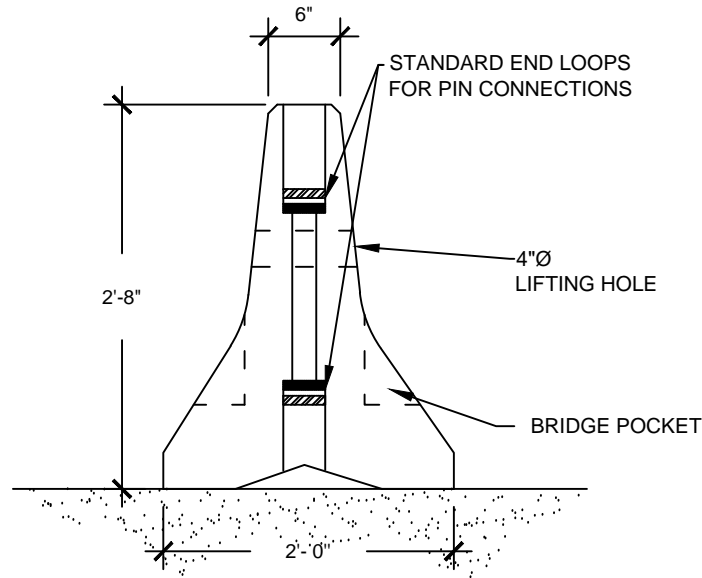
REVISED BY:

CHECKED BY: ** **

DRAWING NO.
B-006A

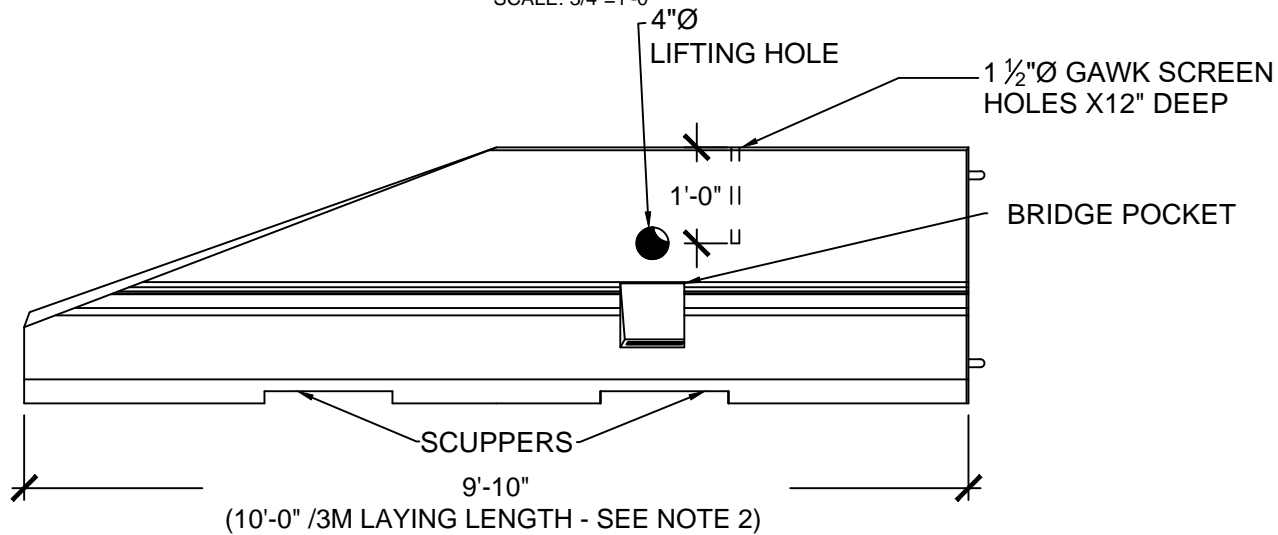


K- 10 TS



BARRIER END DETAIL

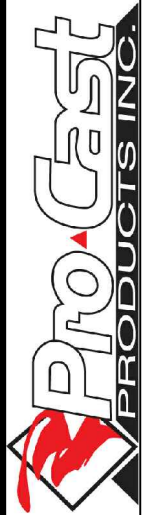
SCALE: 3/4"=1'-0"



SIDE ELEVATION

SCALE: 1/2"=1'-0"

**Barrier Type K(10ft.Long)
Sloping Terminal Section**



PO Box 602, Highland, CA 92346
909-793-7602 phone 909-793-1283 fax
www.procastproducts.com

PRODUCT NAME:
K- 10 TS

DESCRIPTION:
TYPE K-10 TS

DESIGN SPECIFICATIONS

PRO-CAST PRODUCTS RESERVES THE RIGHT TO MAKE CHANGES TO PRODUCT DESIGN AND/OR DIMENSIONS WITHOUT NOTICE. PLEASE CONTACT PRO-CAST PRODUCTS WHENEVER NECESSARY FOR CONFIRMATION OR ADVICE ON PRODUCT DESIGN.

CONTENTS:
**- END DETAIL
- SIDE ELEVATION**

SCALE:
DRAWN BY: F.M. 12/06/2017
REVISED BY:
CHECKED BY: ** **

DRAWING NO.
B-006B