

PO Box 602, Highland, CA 92346
 909-793-7602 phone 909-793-1283 fax
 www.procastproducts.com

PRODUCT NAME:
CALTRANS 50K TERMINAL

DESCRIPTION:
TEMP. TERMINAL SECTION

DESIGN SPECIFICATIONS

2015 CALTRANS STANDARD PLANS & SPECIFICATIONS

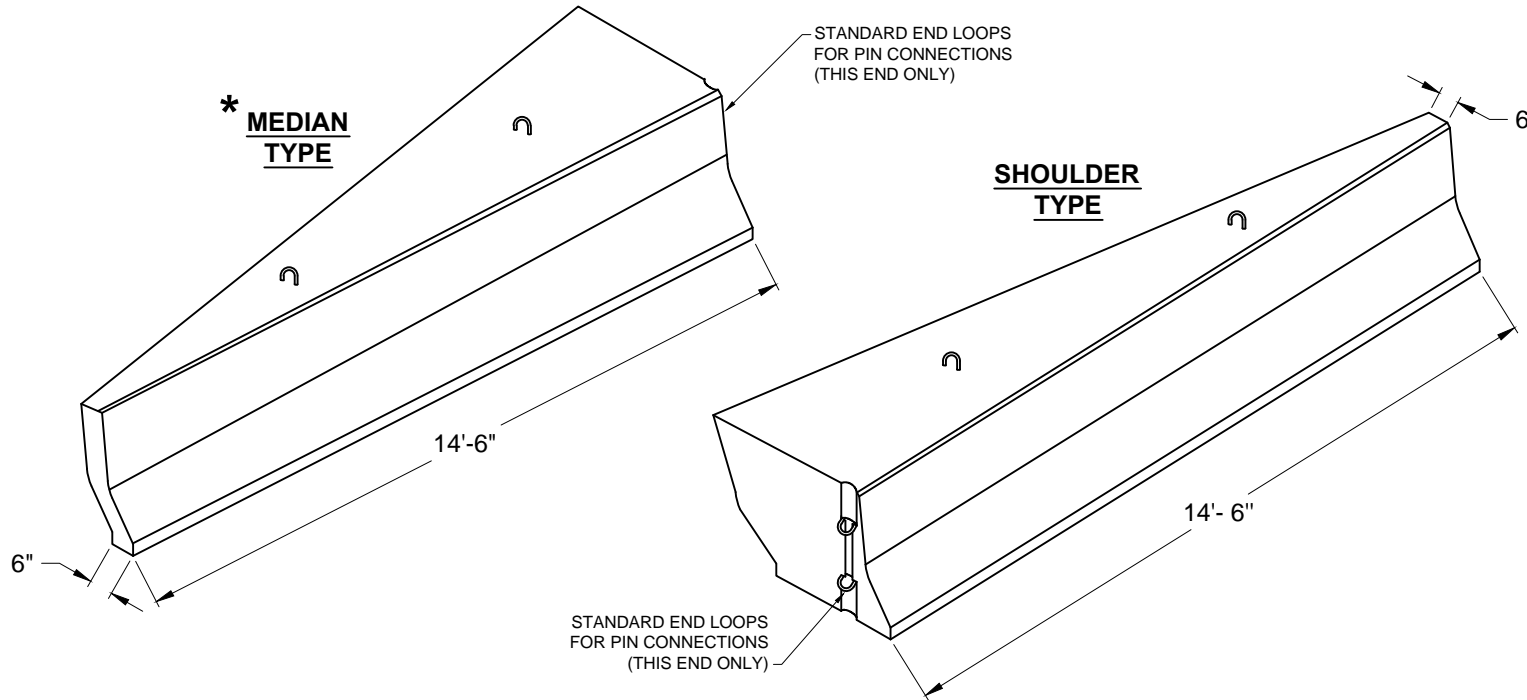
PRO-CAST PRODUCTS RESERVES THE RIGHT TO MAKE CHANGES TO PRODUCT DESIGN AND/OR DIMENSIONS WITHOUT NOTICE. PLEASE CONTACT PRO-CAST PRODUCTS WHENEVER NECESSARY FOR CONFIRMATION OR ADVICE ON PRODUCT DESIGN.

CONTENTS:

- ISOMETRIC

SCALE:	1/4"=1'-0"
DRAWN BY:	TPC 05/28/2019
REVISED BY:	
CHECKED BY:	** **

DRAWING NO.
B-005A

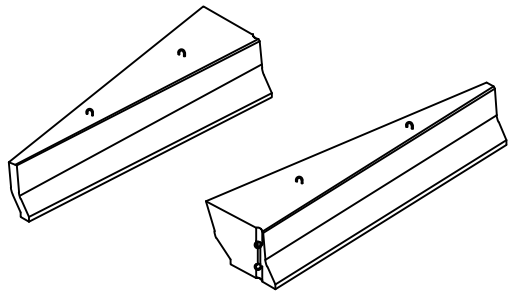


*** MEDIAN TYPE IS THE MOST COMMON TERMINAL**

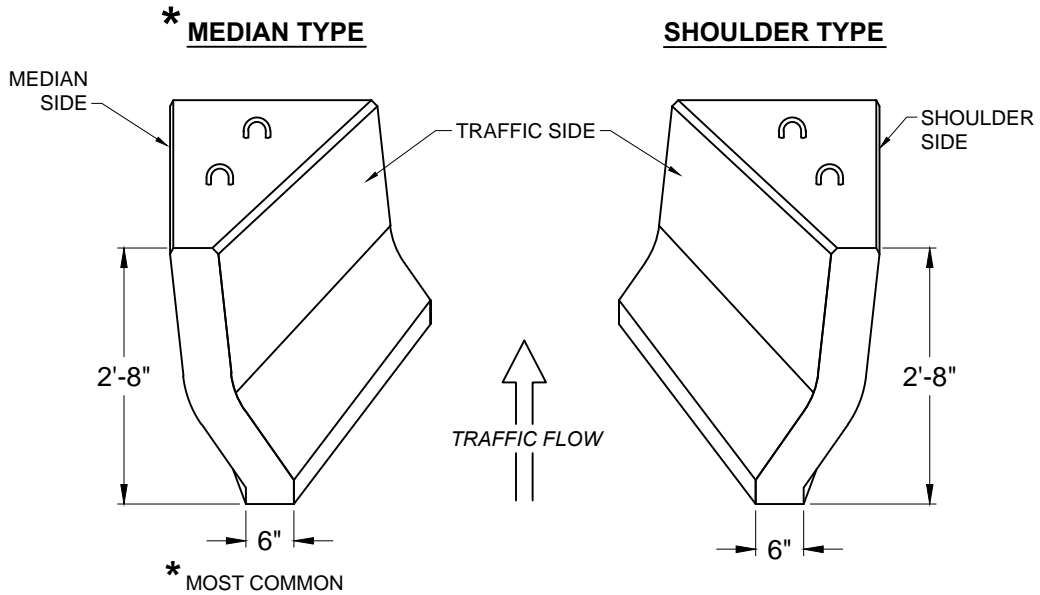
WHEN ORDERING:
 50K TERMINAL - MEDIAN
 50K TERMINAL - SHOULDER
 50K TERMINAL - CLOSURE COVER PLATE

ISOMETRIC
 SCALE: 1/4"=1'-0"

CALTRANS BARRIER - 50 K - TERMINAL SECTION
(14'-6" LONG)

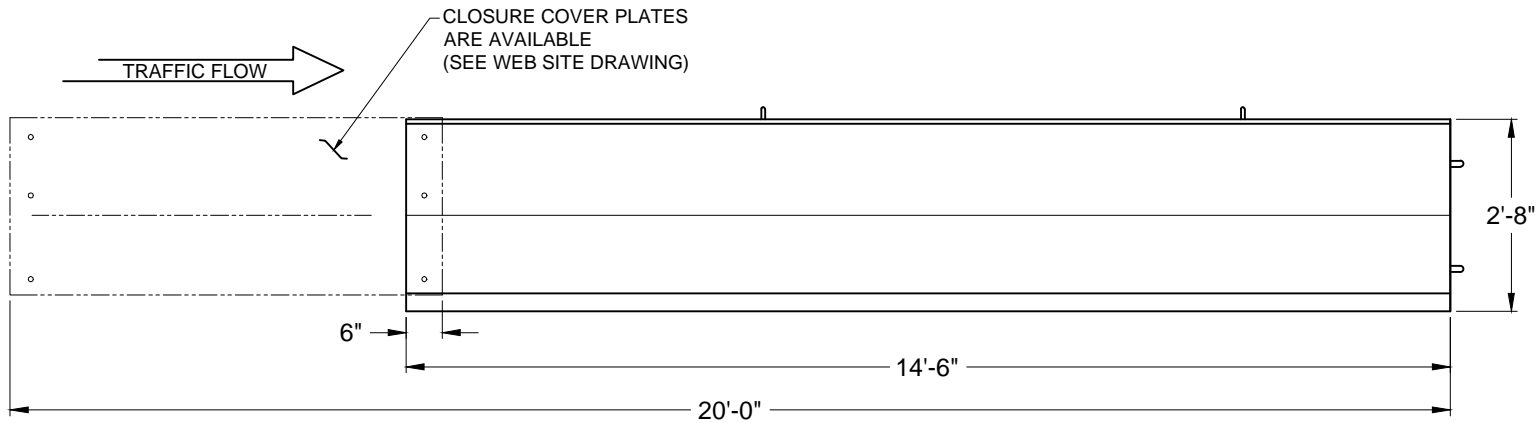


50K TERMINAL



BARRIER END DETAIL

SCALE: 1/2"=1'-0"



SIDE ELEVATION

SCALE: 3/8"=1'-0"

**CALTRANS BARRIER - 50 K - TERMINAL SECTION
(14'-6" LONG)**

Pro-Cast
PRODUCTS INC.

PO Box 602, Highland, CA 92346
909-793-7602 phone 909-793-1283 fax
www.procastproducts.com

PRODUCT NAME:
CALTRANS 50K TERMINAL

DESCRIPTION:
TEMP. TERMINAL SECTION

DESIGN SPECIFICATIONS

2015 CALTRANS STANDARD PLANS & SPECIFICATIONS

PRO-CAST PRODUCTS RESERVES THE RIGHT TO MAKE CHANGES TO PRODUCT DESIGN AND/OR DIMENSIONS WITHOUT NOTICE. PLEASE CONTACT PRO-CAST PRODUCTS WHENEVER NECESSARY FOR CONFIRMATION OR ADVICE ON PRODUCT DESIGN.

CONTENTS:

- END DETAIL
- SIDE ELEVATION

SCALE:	AS LISTED
DRAWN BY:	TPC 05/28/2019
REVISED BY:	
CHECKED BY:	** **

DRAWING NO.
B-005B