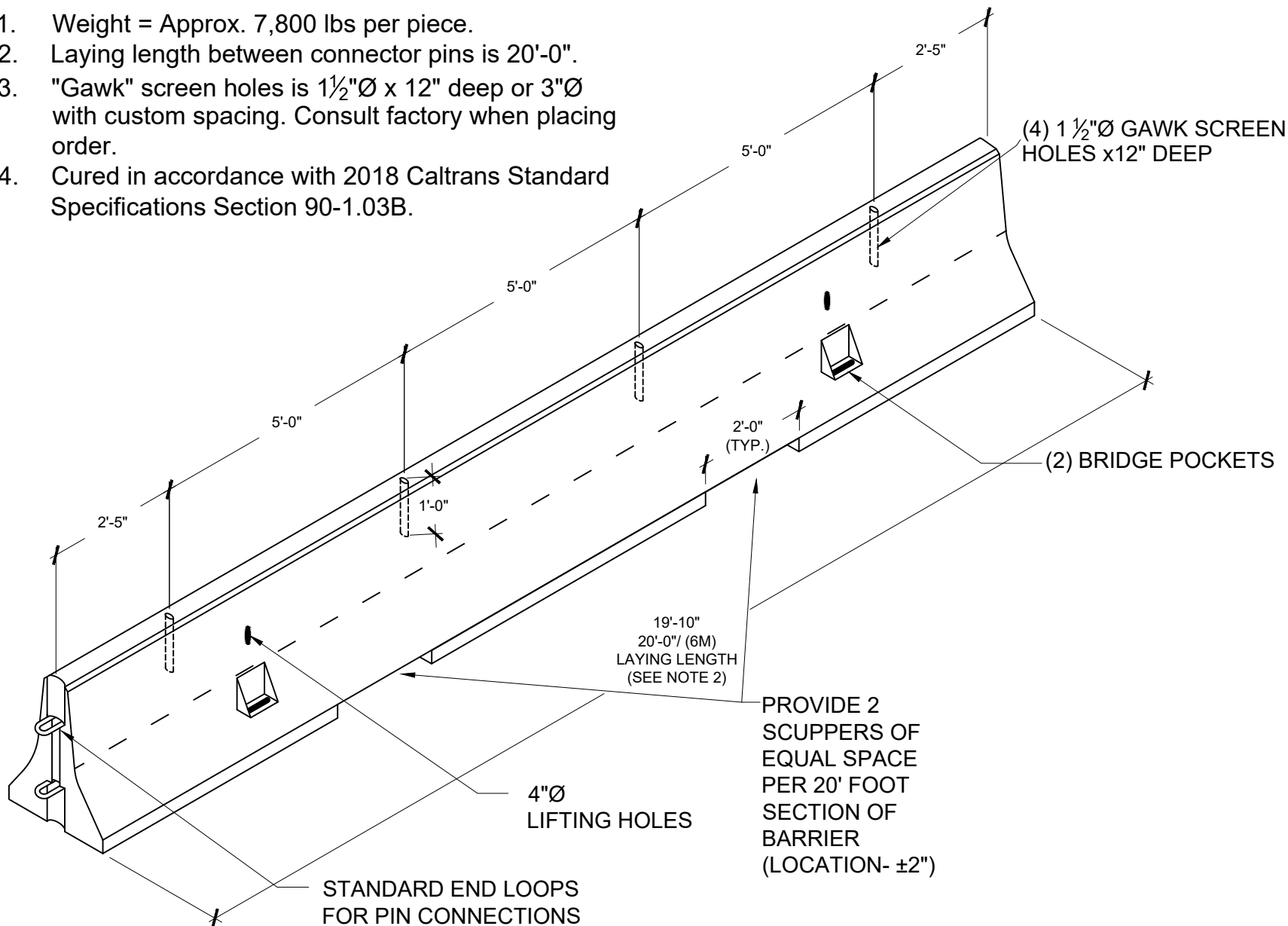


**Notes:**

1. Weight = Approx. 7,800 lbs per piece.
2. Laying length between connector pins is 20'-0".
3. "Gawk" screen holes is 1½"Ø x 12" deep or 3"Ø with custom spacing. Consult factory when placing order.
4. Cured in accordance with 2018 Caltrans Standard Specifications Section 90-1.03B.



ISOMETRIC

DO NOT SCALE

**Cal Trans Barrier Type K-20**



PO Box 602, Highland, CA 92346  
 909-793-7602 phone 909-793-1283 fax  
 www.procastproducts.com

PRODUCT NAME:

**K-20**

DESCRIPTION:

**CALTRANS TYPE K-20**

DESIGN SPECIFICATIONS

**2018 CALTRANS  
 STANDARD PLANS  
 & SPECIFICATIONS**

PRO-CAST PRODUCTS RESERVES THE RIGHT TO MAKE CHANGES TO PRODUCT DESIGN AND/OR DIMENSIONS WITHOUT NOTICE. PLEASE CONTACT PRO-CAST PRODUCTS WHENEVER NECESSARY FOR CONFIRMATION OR ADVICE ON PRODUCT DESIGN.

CONTENTS:

**- ISOMETRIC**

SCALE: DO NOT SCALE

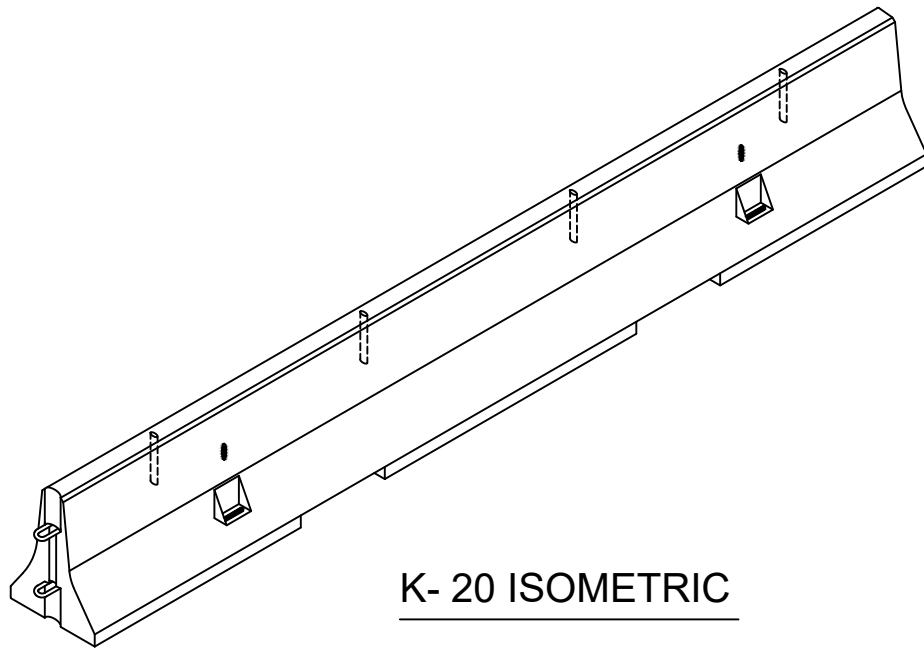
DRAWN BY: TPC/08/31/2021

REVISED BY:

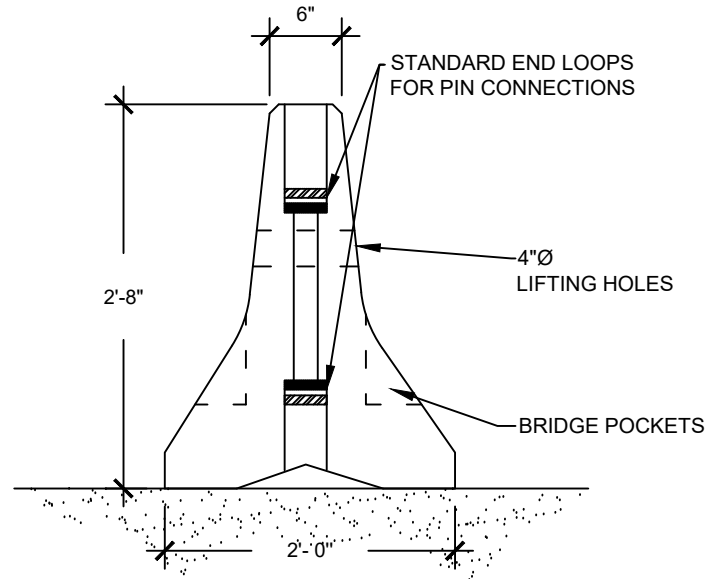
CHECKED BY: \*\* \*\*

DRAWING NO.

**B-001A**

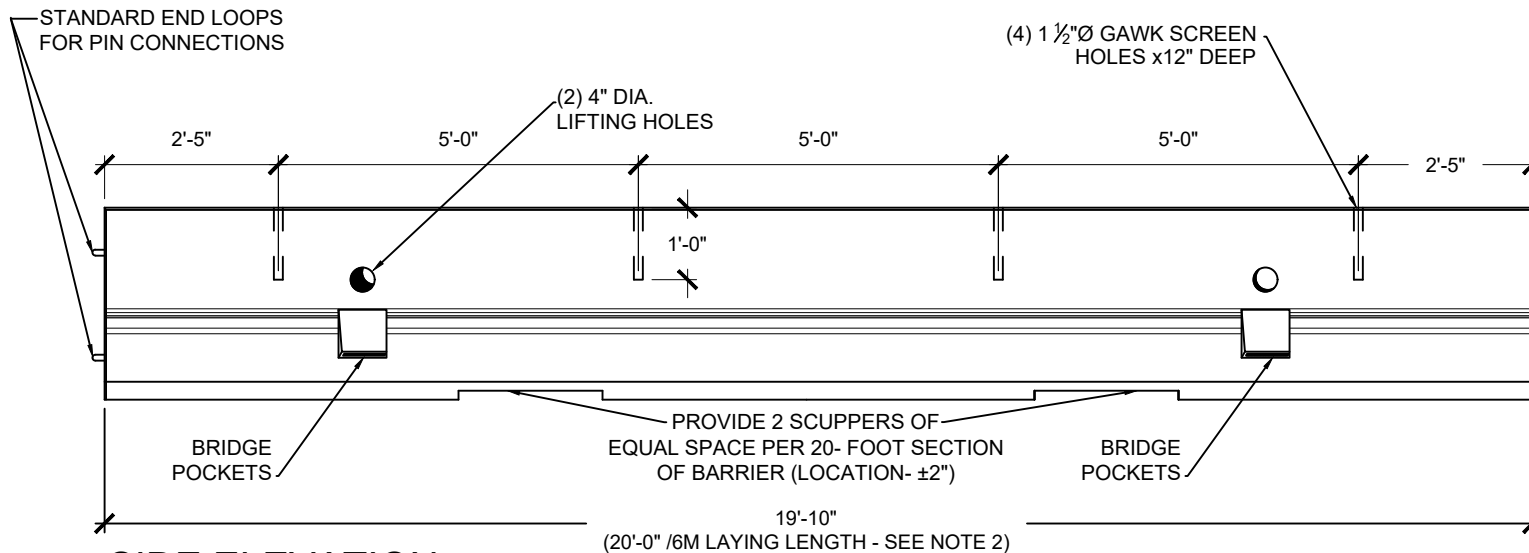


**K- 20 ISOMETRIC**



**BARRIER END DETAIL**

SCALE: 3/4"=1'-0"



**SIDE ELEVATION**

SCALE: 3/8"=1'-0"

**Cal Trans Barrier Type K-20**

**Pro-Cast PRODUCTS INC.**  
 PO Box 602, Highland, CA 92346  
 909-793-7602 phone 909-793-1283 fax  
 www.procastproducts.com

PRODUCT NAME:  
**K-20**

DESCRIPTION:  
**CALTRANS TYPE K-20**

DESIGN SPECIFICATIONS

**2018 CALTRANS  
 STANDARD PLANS  
 & SPECIFICATIONS**

PRO-CAST PRODUCTS RESERVES THE RIGHT TO MAKE CHANGES TO PRODUCT DESIGN AND/OR DIMENSIONS WITHOUT NOTICE. PLEASE CONTACT PRO-CAST PRODUCTS WHENEVER NECESSARY FOR CONFIRMATION OR ADVICE ON PRODUCT DESIGN.

CONTENTS:  
**- END DETAIL  
 - SIDE ELEVATION**

SCALE:	AS SHOWN
DRAWN BY:	TPC/08/31/2021
REVISED BY:	
CHECKED BY:	** **

DRAWING NO.  
**B-001B**