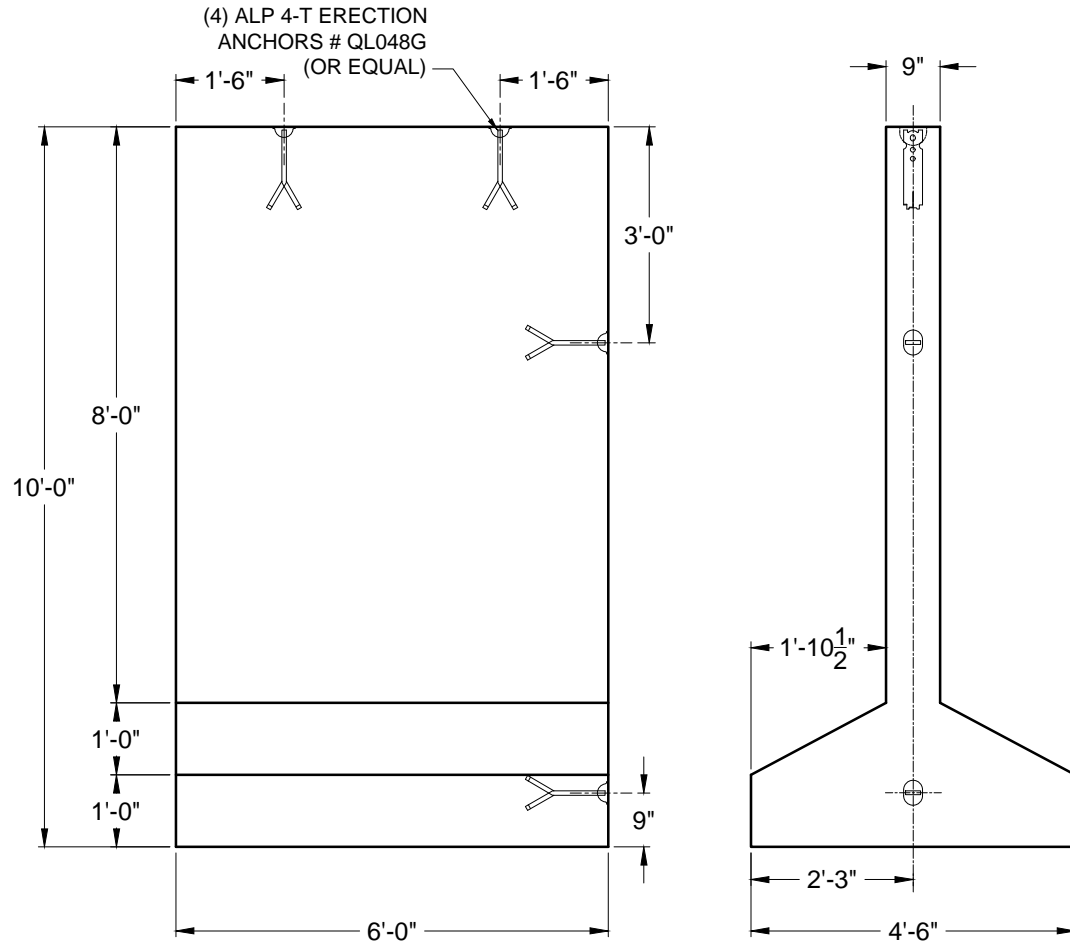


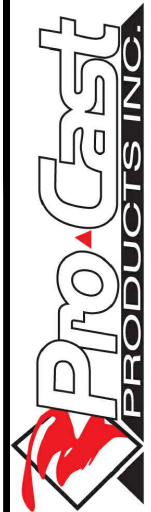
ISOMETRIC VIEW

DO NOT SCALE



ALASKA BARRIER DETAIL

SCALE: 3/8" = 1'-0" APPROX. WT. = 11,815 LBS.



PO Box 602, Highland, CA 92346
 909-793-7602 phone 909-793-1283 fax
 www.procastproducts.com

PRODUCT NAME:
ALASKA BARRIER

DESCRIPTION:

DESIGN SPECIFICATIONS

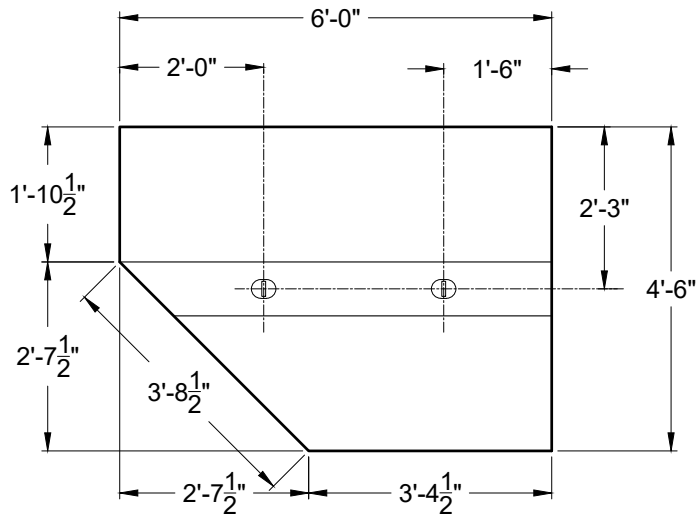
**STANDARD PLANS
 & SPECIFICATIONS**

PRO-CAST PRODUCTS RESERVES THE RIGHT TO MAKE CHANGES TO PRODUCT DESIGN AND/OR DIMENSIONS WITHOUT NOTICE. PLEASE CONTACT PRO-CAST PRODUCTS WHENEVER NECESSARY FOR CONFIRMATION OR ADVICE ON PRODUCT DESIGN.

CONTENTS:

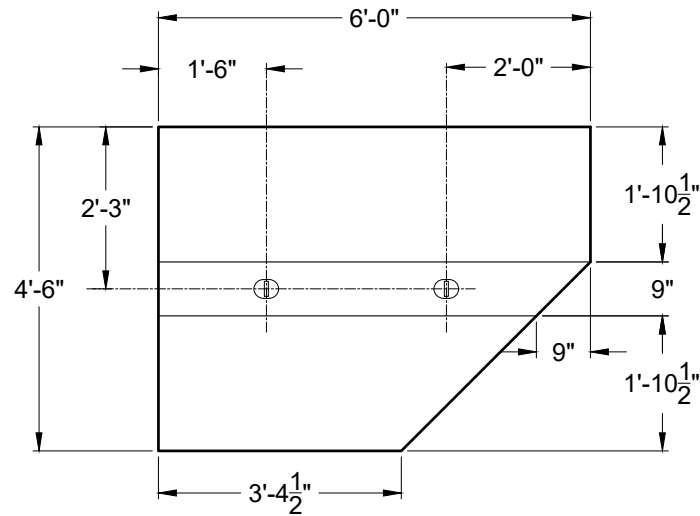
SCALE:	AS SHOWN
DRAWN BY:	TPC 12/14/2021
REVISED BY:	TPC 01/15/2024
CHECKED BY:	-- --

DRAWING NO.
AB



AB-L PLAN VIEW

SCALE: 3/8" = 1'-0" APPROX. WT. = 10,241 LBS.

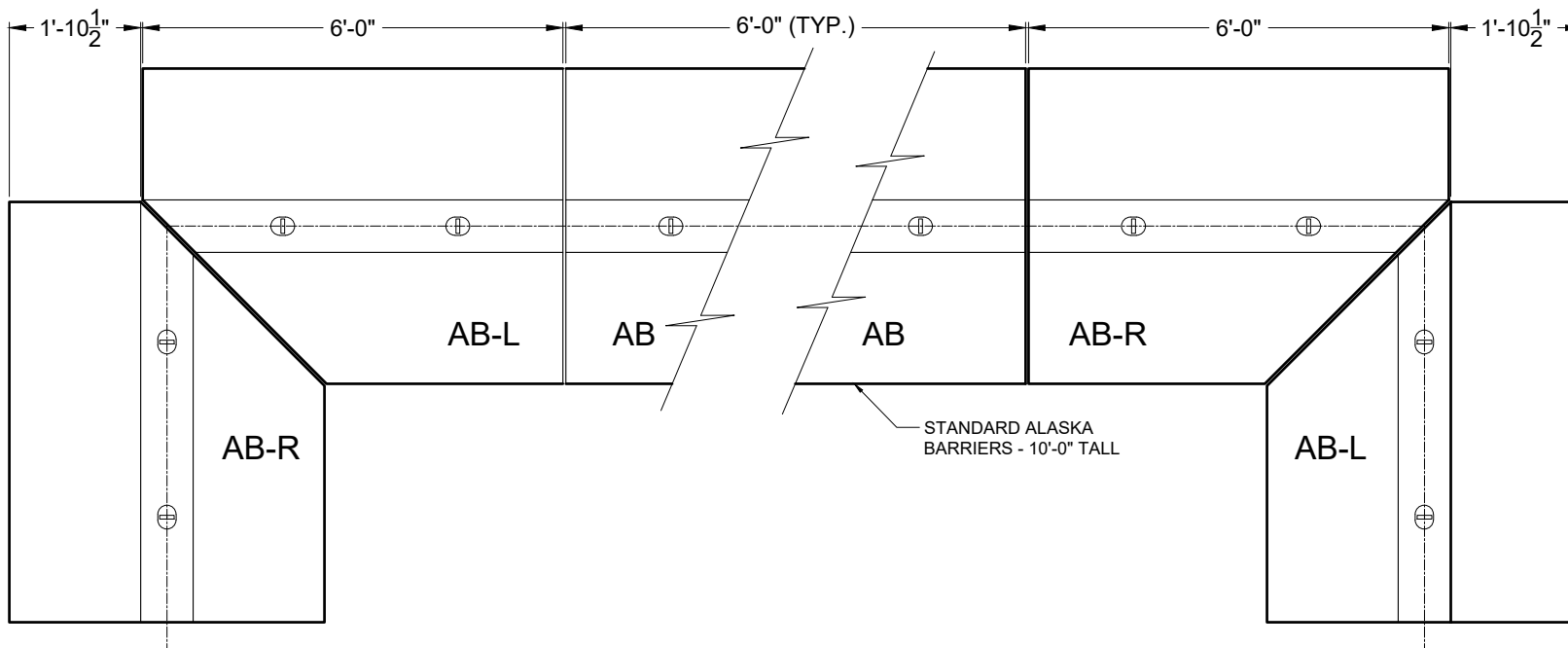


AB-R PLAN VIEW

SCALE: 3/8" = 1'-0" APPROX. WT. = 10,241 LBS.

ALASKA BARRIER - CORNER DETAILS

SCALE: 1/4" = 1'-0"



TYPICAL ALASKA BARRIER LAYOUT - PLAN VIEW

SCALE: 3/8" - 1'-0"



PRODUCT NAME:
ALASKA BARRIER

DESCRIPTION:

DESIGN SPECIFICATIONS

**STANDARD PLANS
& SPECIFICATIONS**

PRO-CAST PRODUCTS RESERVES THE RIGHT TO MAKE CHANGES TO PRODUCT DESIGN AND/OR DIMENSIONS WITHOUT NOTICE. PLEASE CONTACT PRO-CAST PRODUCTS WHENEVER NECESSARY FOR CONFIRMATION OR ADVICE ON PRODUCT DESIGN.

CONTENTS:

SCALE:	AS SHOWN
DRAWN BY:	TPC 12/14/2021
REVISED BY:	TPC 02/12/2024
CHECKED BY:	-- --

DRAWING NO.
AB LAYOUT