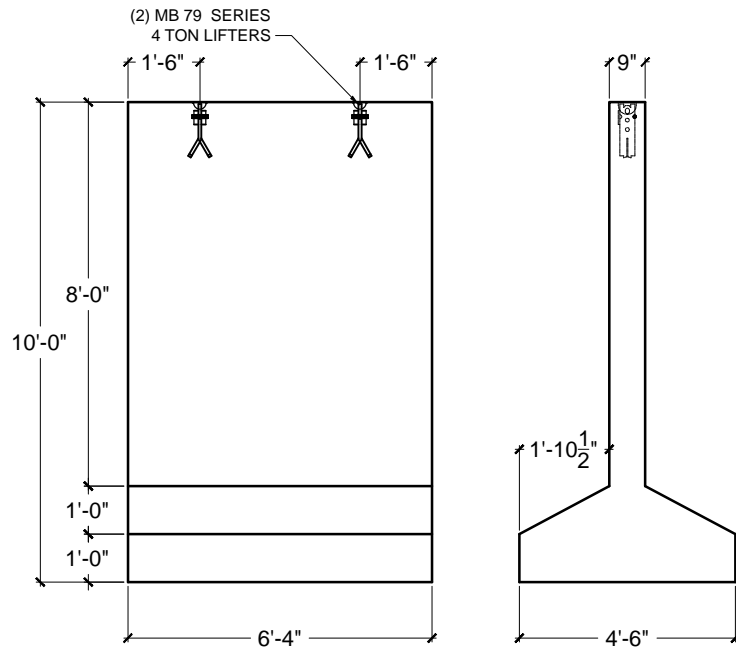


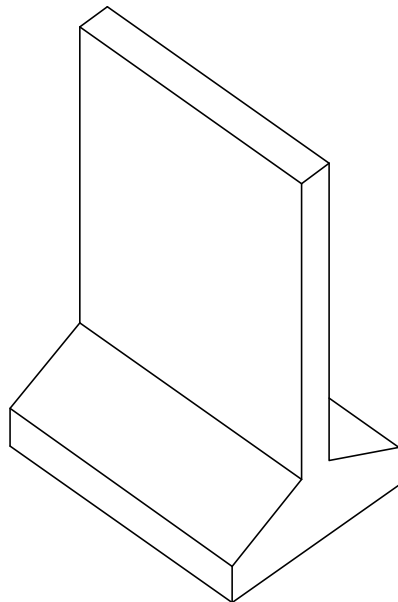
STRUCTURAL DETAIL

SCALE: 3/8" = 1'-0"



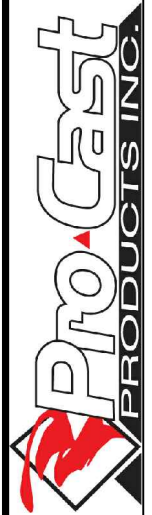
ALASKA BARRIER DETAIL

SCALE: 3/8" = 1'-0"



ISOMETRIC VIEW

SCALE: NOT TO SCALE



PO Box 602, Highland, CA 92346
 909-793-7602 phone 909-793-1283 fax
 www.procastproducts.com

PRODUCT NAME:
ALASKA BARRIER

DESCRIPTION:

DESIGN SPECIFICATIONS

STANDARD PLANS & SPECIFICATIONS

PRO-CAST PRODUCTS RESERVES THE RIGHT TO MAKE CHANGES TO PRODUCT DESIGN AND/OR DIMENSIONS WITHOUT NOTICE. PLEASE CONTACT PRO-CAST PRODUCTS WHENEVER NECESSARY FOR CONFIRMATION OR ADVICE ON PRODUCT DESIGN.

CONTENTS:

SCALE:	3/8" = 1'-0"
DRAWN BY:	TPC 05/03/2018
REVISED BY:	
CHECKED BY:	** **

DRAWING NO.
AB