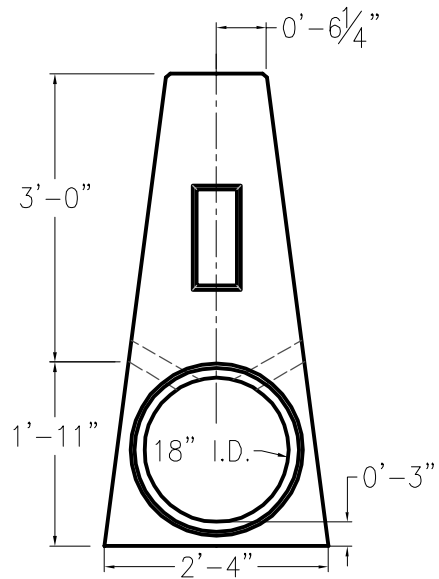
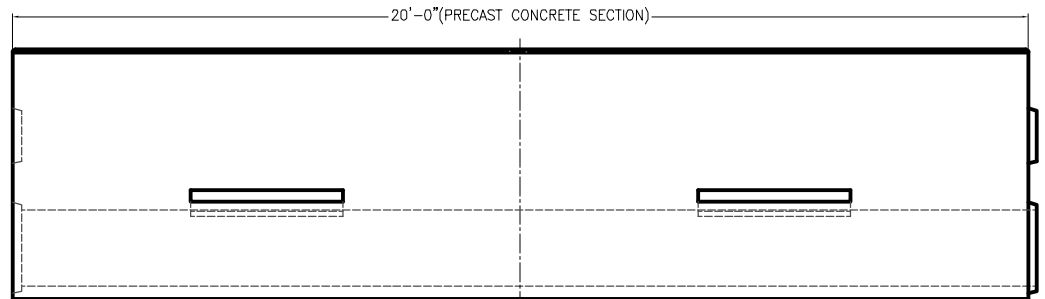


ELEVATION



END VIEW



ELEVATION
NOT TO SCALE

FOR SPECIFICATIONS:
 LINK to "specs.ProcastProducts.com"
 This drawing is for reference purposes only.
 Complete drawings are available by request
www.ProcastProducts.com



**WATER CARRYING
BARRIER**

Drawn: CML | ID: 2007-M1.DWG
 Rev. 1 | Date: 06/14/07 | PAGE 1 OF 1