

DIST.	COUNTY	ROUTE	KILOMETER POST TOTAL PROJECT	POST NO.	SHEET TOTAL SHEETS

Ellis K. Hirst
REGISTERED CIVIL ENGINEER

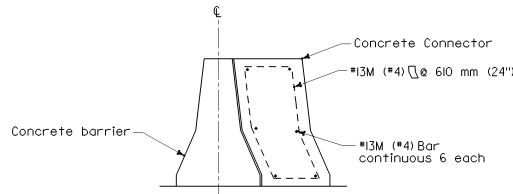
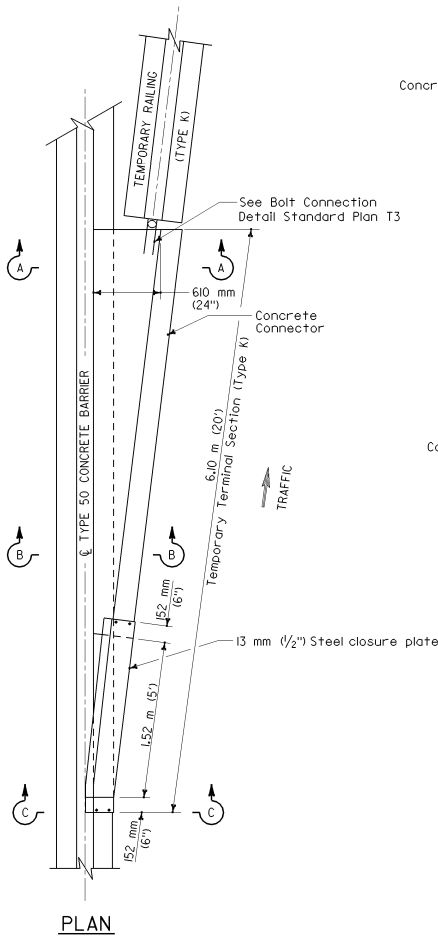
July 1, 2002
PLANS APPROVAL DATE

No. **C17926**
Exp. **6-30-05**
(11)

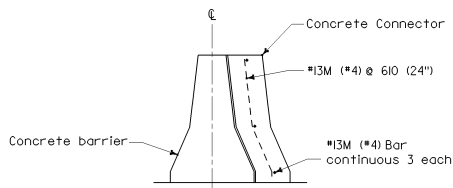
STATE OF CALIFORNIA
REGISTERED PROFESSIONAL ENGINEER
Ellis K. Hirst

The State of California or its officers or agents shall not be responsible for the accuracy or completeness of electronic copies of this plan sheet.

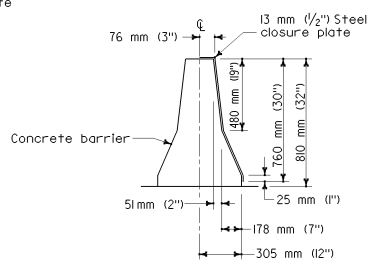
Caltrans now has a web site! To get to the web site, go to <http://www.dot.ca.gov>



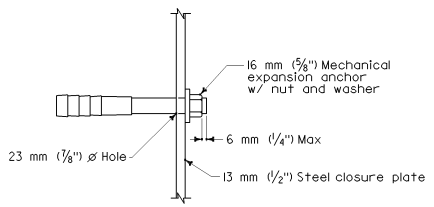
SECTION A-A



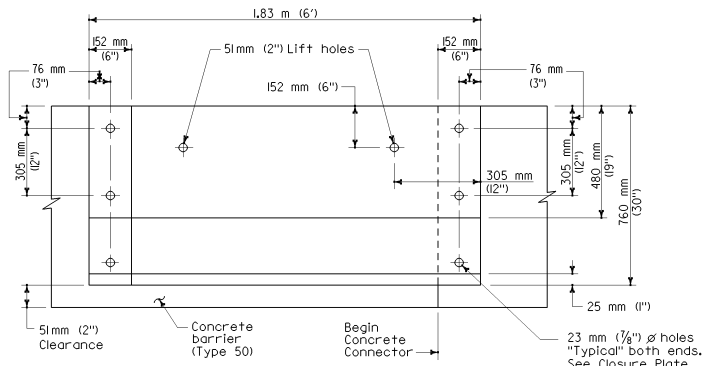
SECTION B-B



SECTION C-C



CLOSURE PLATE ANCHOR BOLT DETAIL



CLOSURE PLATE (SIDE VIEW)

- NOTE:**
- If lifting holes are used with the concrete connector, they shall conform to the lifting hole details shown on Standard Plan T3.
 - Paint closure plate white.
 - When the temporary terminal section (Type K) is no longer required and is to be removed, the anchor bolts connecting the closure plate and the barrier shall be removed or cut flush with the face of the concrete barrier. If the anchor bolts are removed, the resulting holes shall be filled with grout.

STATE OF CALIFORNIA
DEPARTMENT OF TRANSPORTATION
TEMPORARY TERMINAL SECTION (TYPE K)

These "Standard Plans for Construction of Local Streets and Roads" contain units in two systems of measurement: International System of Units (SI or "metric") and United States Standard Measures shown in the parentheses (). The measurements expressed in the two systems are not necessarily equal or interchangeable. See the "Foreword" at the beginning of this publication.

NO SCALE

T5