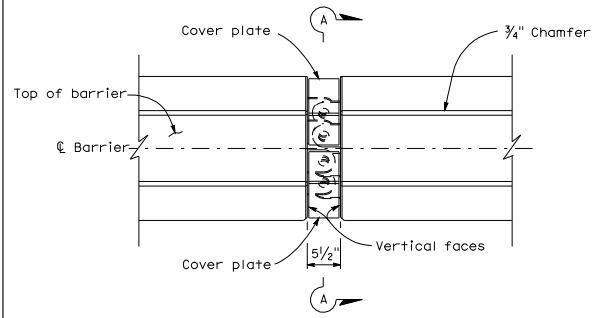
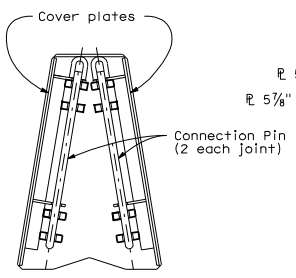


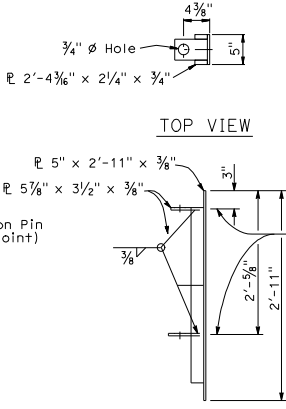
DIST	COUNTY	ROUTE	POST MILES	SHEET	TOTAL
			TOTAL PROJECT	NO.	SHEETS
<i>Randell D. Hiatt</i> REGISTERED CIVIL ENGINEER					
May 1, 2006 PLANS APPROVAL DATE					
No. C50200 Exp. 6-30-07 CIVIL STATE OF CALIFORNIA					
<i>To get to the Caltrans web site, go to http://www.dot.ca.gov</i>					



TOP VIEW
VERTICAL CONCRETE FACE JOINTS



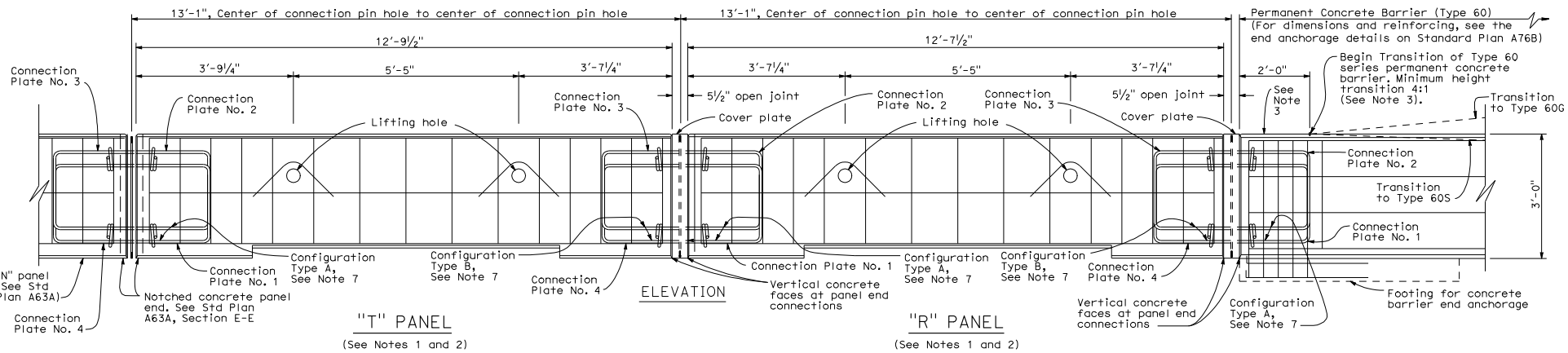
SECTION A-A



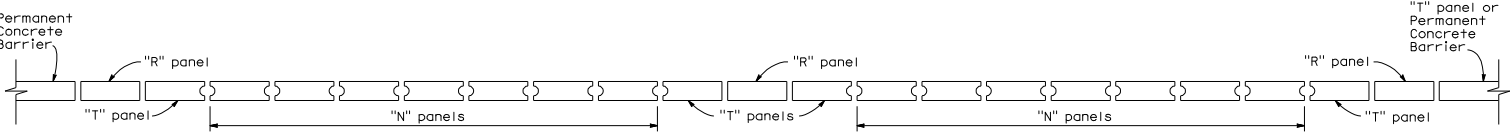
SIDE VIEW
COVER PLATE

NOTES:

- "R" Panels are to be placed at a maximum of 10 panel segment intervals and at connections to permanent concrete barrier. "R" panels provide for quick and easy placement and removal by lateral movement of panel (NO Notched Ends). "N" Panels have concrete notches at each end of the panel. "T" panels have a concrete notch at one end of the panel and a vertical face at the other end of the panel. Notched end connections plus overlapping connection plates require longitudinal movement of the panels during placement or removal. If portable concrete barrier (Type 60K) is to be removed after installation, "R" panels are to be removed first to facilitate removal of the remaining panels.
- Reinforcement and dimensioning details for "R" and "T" Panels are similar to the "N" Panel details shown on Standard Plan A63A.
- Modify end of permanent concrete barrier with the installation of connection plates for connection pins and cover plates. Remove 2' of existing Type 60 permanent concrete barrier to install connection plates for "R" Panel connection. Where the connection to existing barrier requires a height transition, remove existing barrier to end of the height transition.
- All metal plates to be galvanized after fabrication.
- Dimension to bottom of the 28 3/8 inch x 2 1/2 inch x 3/4 inch plate.
- The minimum radius of curve for horizontal alignment of portable concrete barrier (Type 60K) is 164 feet.
- For additional details of connection plate configurations, see Sections C-C and D-D of Standard Plan A63A.



ELEVATION



PLAN
TYPICAL PORTABLE CONCRETE BARRIER (TYPE 60K) LAYOUT

See Notes 1 and 6

STATE OF CALIFORNIA
DEPARTMENT OF TRANSPORTATION
PORTABLE CONCRETE BARRIER (TYPE 60K)

NO SCALE

A63B

2006 STANDARD PLAN A63B