

DIST	COUNTY	ROUTE	POST MILES TOTAL PROJECT	SHEET NO.	TOTAL SHEETS

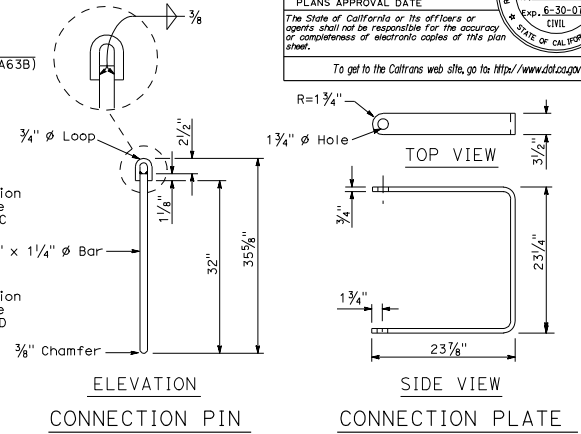
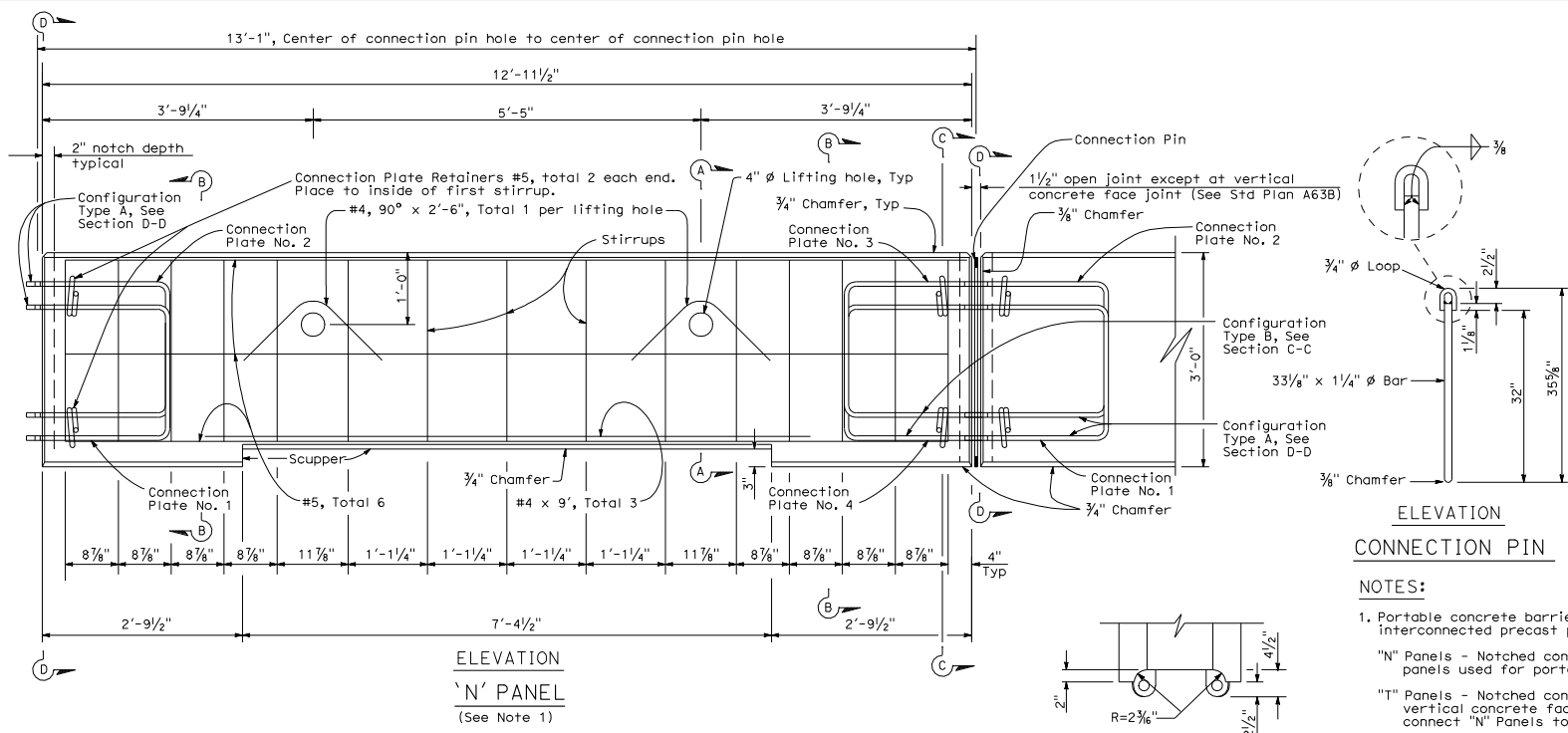
Randell D. Hiatt
REGISTERED CIVIL ENGINEER

May 1, 2006
PLANS APPROVAL DATE

Exp. 6-30-07
CIVIL

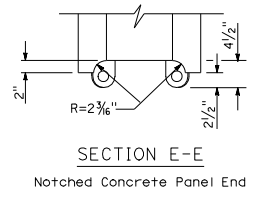
STATE OF CALIFORNIA

To get to the Caltrans web site, go to <http://www.dot.ca.gov>

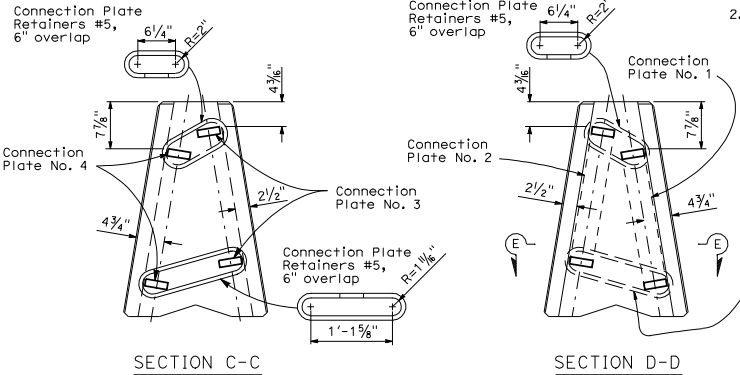
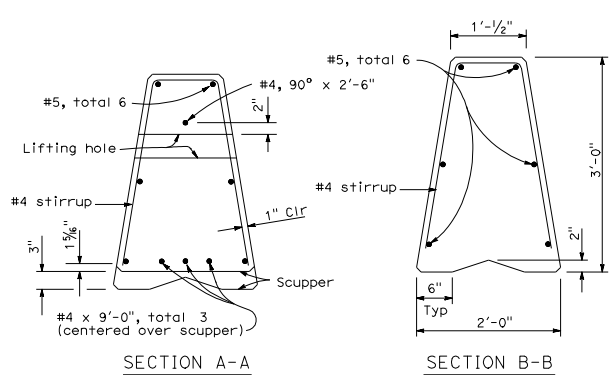


NOTES:

- Portable concrete barrier (Type 60K) consists of a layout of interconnected precast panels of the following types:
 - "N" Panels - Notched concrete end at both ends of the panel. Majority of panels used for portable (Type 60K) barrier are "N" Panels.
 - "T" Panels - Notched concrete end at one end of the panel and a vertical concrete face at the other end of the panel. Used to connect "N" Panels to the "R" Panels.
 - "R" Panels - Vertical concrete face at both ends of the panel. Used between "T" Panels. Also connects to vertical concrete end of "T" Panels and vertical concrete end of the connection to permanent concrete barrier.
- For Details of "T" and "R" Panels and Typical layouts of portable concrete barrier (Type 60K), see Standard Plan A63B.



- Connection Plate Configurations Type A and Type B apply to "N", "T" and "R" Panels. The ends of Connection Plate No. 3 overlap the ends of Connection Plate No. 1. The ends of Connection Plate No. 4 overlap the ends of Connection Plate No. 2. One connection pin inserted through the holes in Connection Plates No. 3 and No. 1 and the other connection pin inserted through the holes in Connection Plates No. 4 and No. 2.



STATE OF CALIFORNIA
DEPARTMENT OF TRANSPORTATION

PORTABLE CONCRETE BARRIER (TYPE 60K)

NO SCALE

A63A

2006 STANDARD PLAN A63A

23