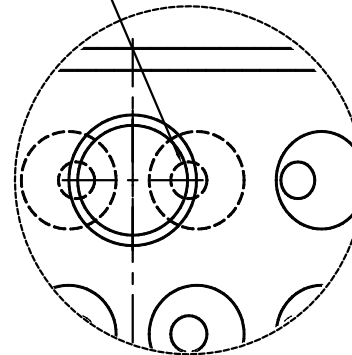


Ø1 ³/₄ TAPERED OPENING
TYPICAL 96 PLACES



GENERAL NOTES
1. ALL DIMENSIONS ARE IN INCHES.

 ProcastProducts.com	DATE: 10-04-06 DRAWN BY: TJH
	CHECKED BY: LBO DATE: 9-5-06 SCALE: NTS
U.S. AND FOREIGN PATENTS PENDING	©48" SEEPAGE PIT SPECIFICATIONS FOR PRO-CAST PRODUCTS
© MMVI	PROJECT NO.: ST-C-1792