

PRODUCT NAME:
SEPTIC TANK

DESCRIPTION:
WITH TEN MANHOLES
6250 & 7500 GALLONS

DESIGN SPECIFICATIONS

DESIGN LOAD: PEDESTRIAN
(300 PSF)

WITH DRY SOIL CONDITIONS
(WATER LEVEL BELOW TANK).
SUITABLE SUB-BASE BEDDED
WITH GRANULAR MATERIAL
SHALL BE PREPARED TO
HANDLE ANTICIPATED LOADS.
FOR COMPLETE DESIGN AND
PRODUCT INFORMATION,
PLEASE CONTACT PRO-CAST
PRODUCTS.

PRO-CAST PRODUCTS
RESERVES THE RIGHT TO
MAKE CHANGES TO
PRODUCT DESIGN AND/OR
DIMENSIONS WITHOUT
NOTICE. PLEASE CONTACT
PRO-CAST PRODUCTS
WHENEVER NECESSARY
FOR CONFIRMATION OR
ADVICE ON PRODUCT
DESIGN.

NOTES:

1. REFER TO SPECIFICATION SHEET NO. S-201
2. REFER TO SPECIFICATION SHEET NOS. S-251 & S-252
3. REFER TO SPECIFICATION SHEET NO. S-249
4. REFER TO SPECIFICATION SHEET NO. S-101

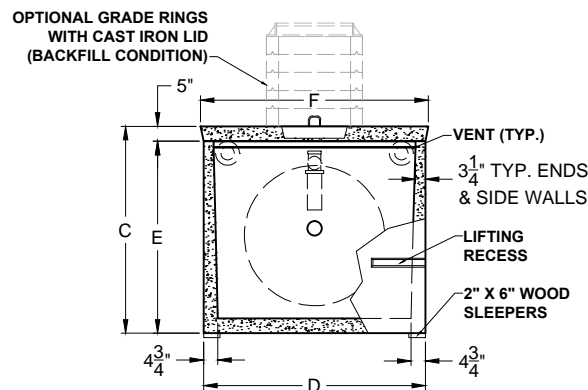
SCALE: 3/16" = 1'-0"

DRAWN BY: TPC 9/14/2017

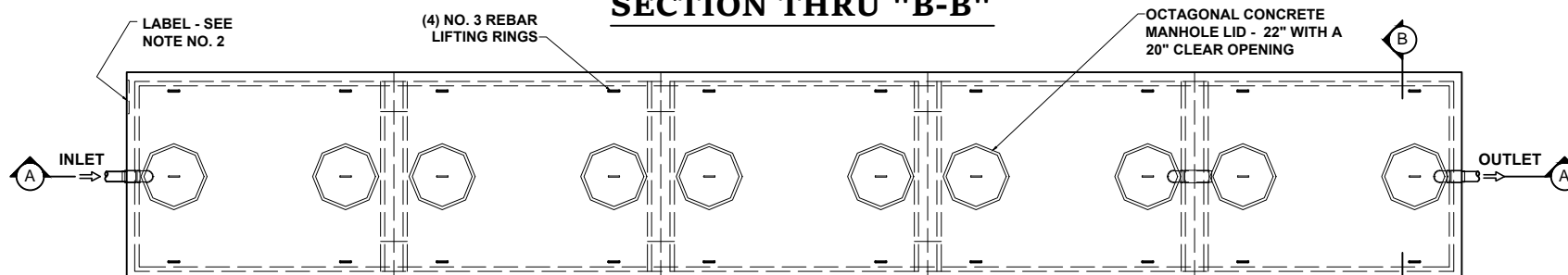
REVISED BY:

CHECKED BY: -- --

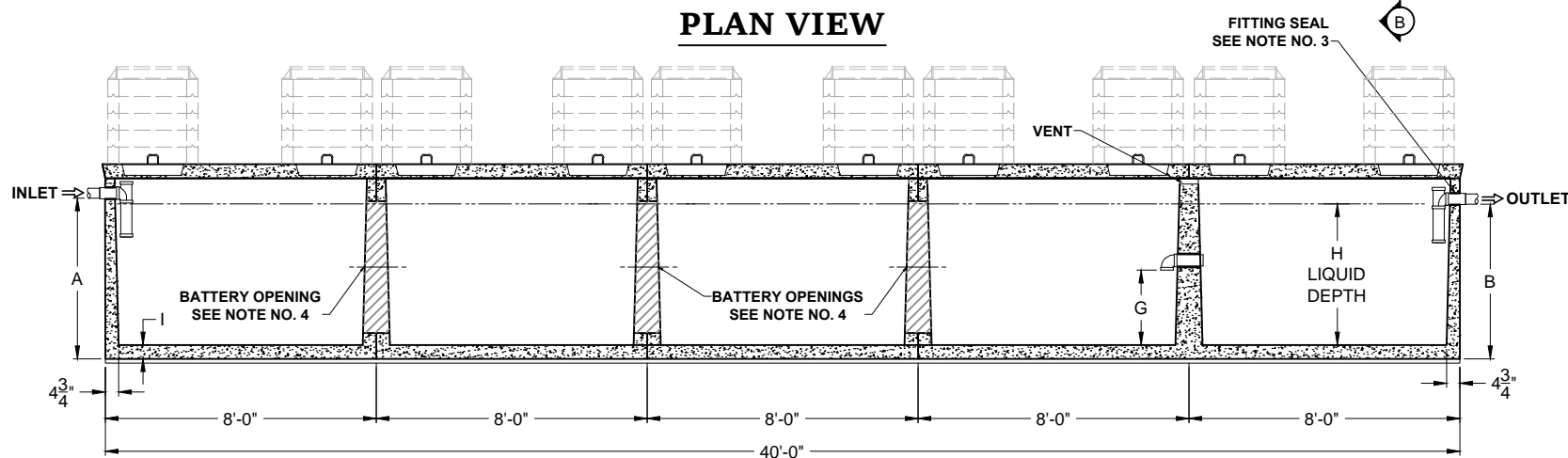
DRAWING NO.
S-006



SECTION THRU "B-B"



PLAN VIEW



SECTION THRU "A-A"

ALL DIMENSIONS ARE IN INCHES & WEIGHTS IN LBS - (RISER ST. NOT INCLUDED)

MODEL	A	B	C	D	E	F	G	H	I	WEIGHT
S-LD-5-6250	57	54	69	74	64	75	25 1/4	50 1/2	4 1/2	69,375
S-LD-5-7500	60 1/2	57 1/2	72 1/2	85	67 1/2	86	26 3/4	53 1/2	5	81,100

EXCAVATION SPECIFICATIONS

MODEL	G-6250	G-7500		
LENGTH	43'-0"	43'-0"		
WIDTH	9'-2"	10'-1"		
BELOW INLET	4'-9"	5'-0 1/2"		
TANK HEIGHT	5'-9"	6'-0 1/2"		