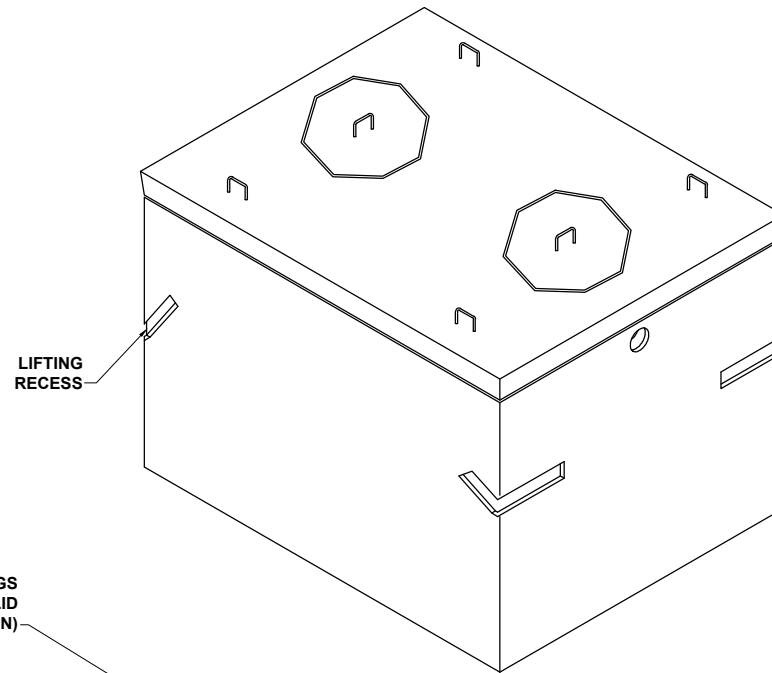
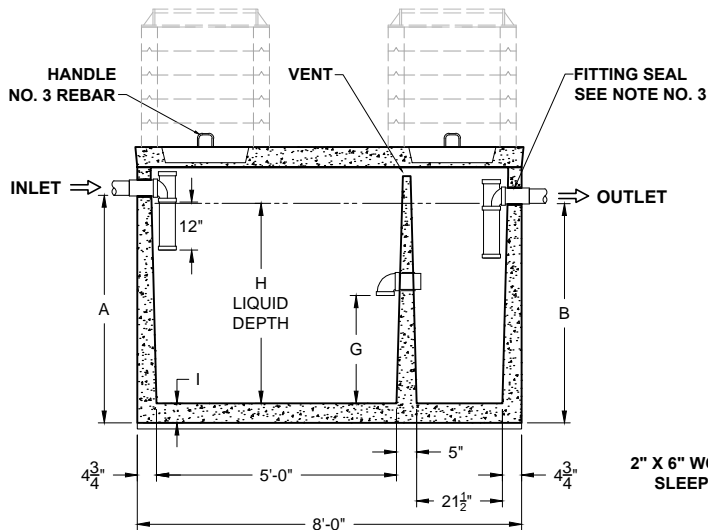


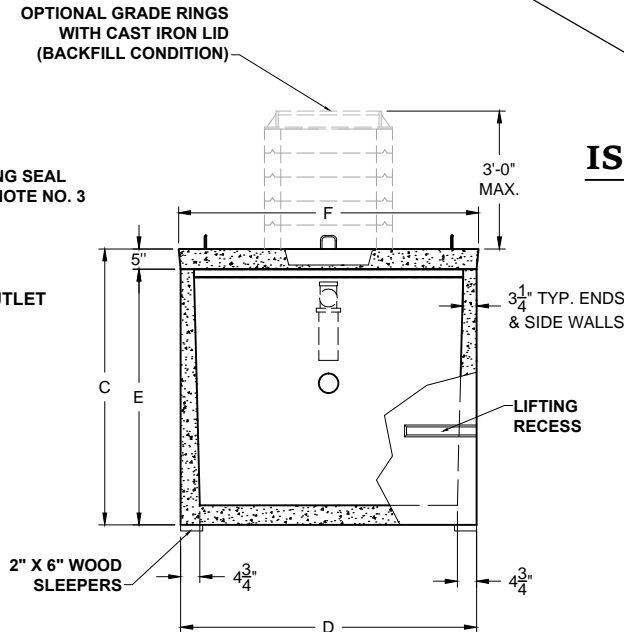
PLAN VIEW



ISOMETRIC VIEW



SECTION THRU "A-A"



SECTION THRU "B-B"

ALL DIMENSIONS ARE IN INCHES & WEIGHTS IN LBS - (RISER WT. NOT INCLUDED)

MODEL	A	B	C	D	E	F	G	H	I	WEIGHT
S-LD-1-750	38	35	50	74	45	75	15 3/4	31 1/2	4 1/2	11,305
S-LD-1-1000	48	45	60	74	55	75	20 3/4	41 1/2	4 1/2	12,660
S-LD-1-1250	57	54	69	74	64	75	25 1/4	50 1/2	4 1/2	13,875
S-LD-1-1500	60 1/2	57 1/2	72 1/2	85	67 1/2	86	26 3/4	53 1/2	5	16,220

EXCAVATION SPECIFICATIONS

MODEL	S-750	S-1000	S-1250	S-1500
LENGTH	11'-0"	11'-0"	11'-0"	11'-0"
WIDTH	9'-2"	9'-2"	9'-2"	10'-1"
BELOW INLET	3'-2"	4'-0"	4'-9"	5'-0 1/2"
TANK HEIGHT	4'-2"	5'-0"	5'-9"	6'-0 1/2"

PRODUCT NAME:
SEPTIC TANK

DESCRIPTION:
WITH TWO MANHOLES
750 THRU 1500 GALLONS

DESIGN SPECIFICATIONS
DESIGN LOAD: PEDESTRIAN
(300 PSF)

WITH DRY SOIL CONDITIONS (WATER LEVEL BELOW TANK). SUITABLE SUB-BASE BEDDED WITH GRANULAR MATERIAL SHALL BE PREPARED TO HANDLE ANTICIPATED LOADS. FOR COMPLETE DESIGN AND PRODUCT INFORMATION, PLEASE CONTACT PRO-CAST PRODUCTS.

PRO-CAST PRODUCTS RESERVES THE RIGHT TO MAKE CHANGES TO PRODUCT DESIGN AND/OR DIMENSIONS WITHOUT NOTICE. PLEASE CONTACT PRO-CAST PRODUCTS WHENEVER NECESSARY FOR CONFIRMATION OR ADVICE ON PRODUCT DESIGN.

- NOTES:
- REFER TO SPECIFICATION SHEET NO. S-201
 - REFER TO SPECIFICATION SHEET NOS. S-251 & S-252
 - REFER TO SPECIFICATION SHEET NO. S-249

SCALE: 1/4" = 1'-0"
 DRAWN BY: TPC 9/14/2017
 REVISED BY:
 CHECKED BY:
 DRAWING NO. **S-001**