

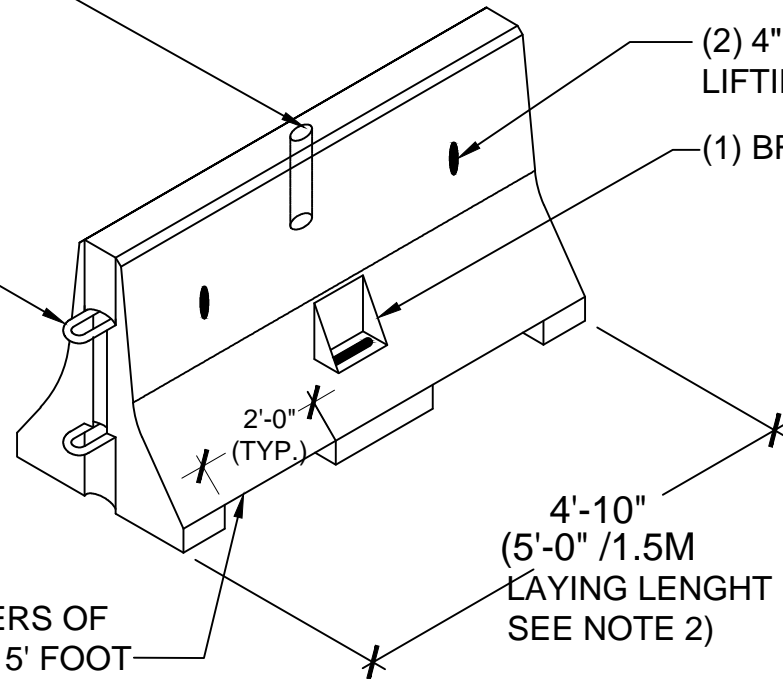
**NOTES:**

1. Weight = Approx. 1,950 lbs per piece.
2. Laying length between connector pins is 5'-0".
3. "GAWK" screen hole is 1 1/2"Ø x12" deep.
4. Cured in accordance with 2010 Caltrans Standard Specifications Section 90-1.03B

(1) 1 1/2"Ø GAWK SCREEN HOLE x12" DEEP

STANDARD END LOOPS FOR PIN CONNECTIONS

PROVIDE 2 SCUPPERS OF EQUAL SPACE PER 5' FOOT SECTION OF BARRIER (LOCATION- ±2")



(2) 4"Ø LIFTING HOLES

(1) BRIDGE POCKETS

4'-10" (5'-0" / 1.5M LAYING LENGTH SEE NOTE 2)

**ISOMETRIC**

SCALE: 1/2"=1'-0"

**Cal Trans Barrier Type K-5**

**Pro-Cast PRODUCTS INC.**  
 PO Box 602, Highland, CA 92346  
 909-793-7602 phone 909-793-1283 fax  
 www.procastproducts.com

PRODUCT NAME:  
**K-5**

DESCRIPTION:  
**CALTRANS TYPE K-5**

DESIGN SPECIFICATIONS

**2010 CALTRANS STANDARD PLANS & SPECIFICATIONS**

PRO-CAST PRODUCTS RESERVES THE RIGHT TO MAKE CHANGES TO PRODUCT DESIGN AND/OR DIMENSIONS WITHOUT NOTICE. PLEASE CONTACT PRO-CAST PRODUCTS WHENEVER NECESSARY FOR CONFIRMATION OR ADVICE ON PRODUCT DESIGN.

CONTENTS:

**- ISOMETRIC**

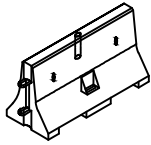
SCALE: 1/2"=1'-0"

DRAWN BY: F.M. 12/06/2017

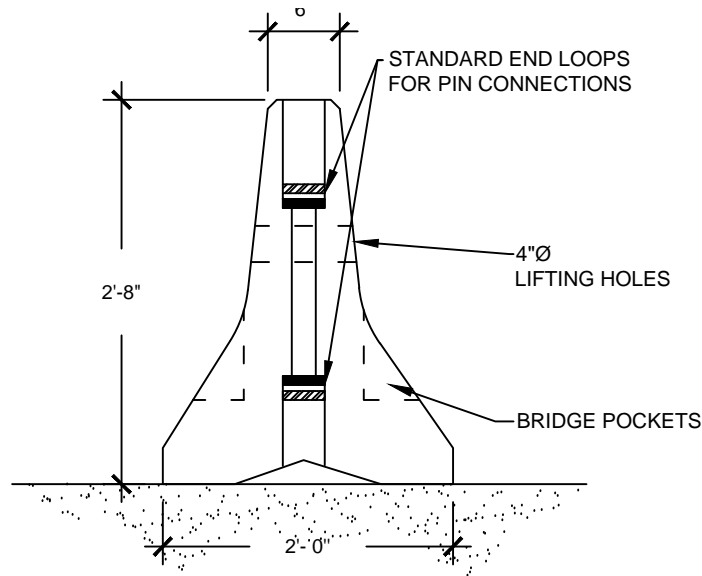
REVISED BY:

CHECKED BY: \*\* \*\*

DRAWING NO.  
**B-003A**

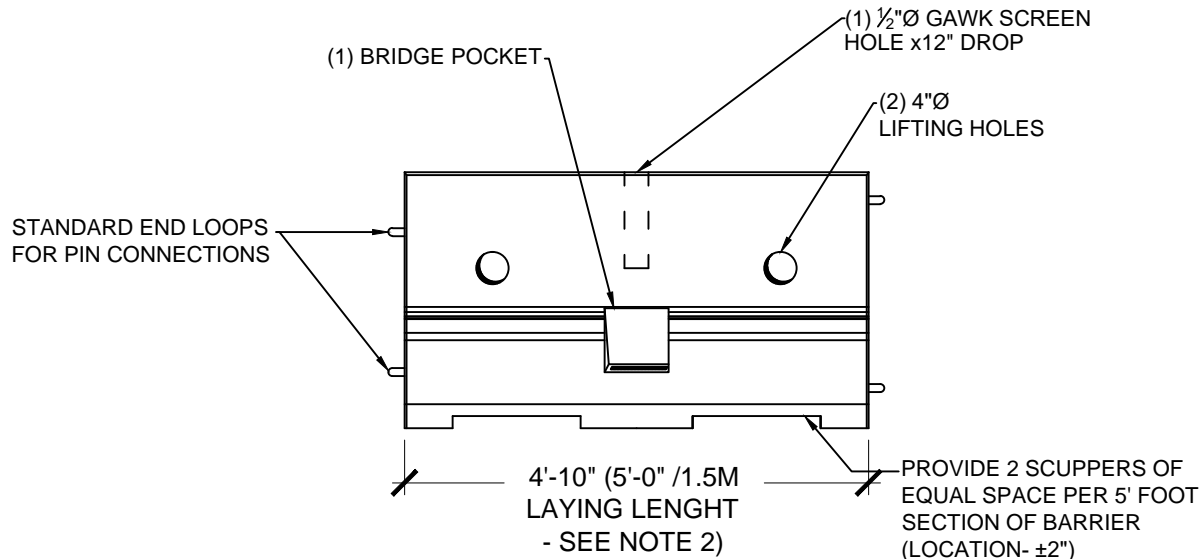


**K-5**



**BARRIER END DETAIL**

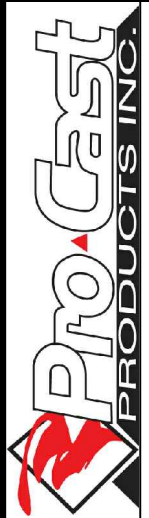
SCALE: 3/4"=1'-0"



**ELEVATION**

SCALE: 3/8"=1'-0"

**Cal Trans Barrier Type K-5**



PO Box 602, Highland, CA 92346  
 909-793-7602 phone 909-793-1283 fax  
 www.procastproducts.com

PRODUCT NAME:  
**K-5**

DESCRIPTION:  
**CALTRANS TYPE K-5**

DESIGN SPECIFICATIONS

**2010 CALTRANS  
 STANDARD PLANS  
 & SPECIFICATIONS**

PRO-CAST PRODUCTS RESERVES THE RIGHT TO MAKE CHANGES TO PRODUCT DESIGN AND/OR DIMENSIONS WITHOUT NOTICE. PLEASE CONTACT PRO-CAST PRODUCTS WHENEVER NECESSARY FOR CONFIRMATION OR ADVICE ON PRODUCT DESIGN.

CONTENTS:

SCALE:	
DRAWN BY:	F.M. 12/06/2017
REVISED BY:	
CHECKED BY:	** **

DRAWING NO.  
**B-003B**