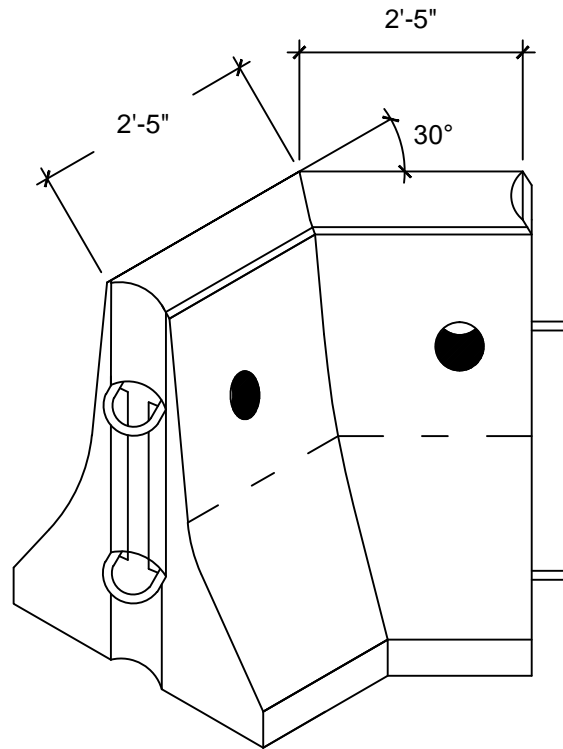


NOTES:

1. WEIGHT = APPROX. 3, 900 LBS PER PIECE
2. LAYING LENGTH BETWEEN CONNECTOR PINS IS '0"
3. OPTIONAL "GAWK" SCREEN HOLES 1½"Ø x12" DEEP



**Cal Trans Barrier Type K(30 Deg.)
Corner Piece**



PRODUCT NAME:
K-30C

DESCRIPTION:
CALTRANS TYPE K- 30 DEG.
CORNER BARRIER

DESIGN SPECIFICATIONS

**2010 CALTRANS
STANDARD PLANS
& SPECIFICATIONS**

PRO-CAST PRODUCTS
RESERVES THE RIGHT TO
MAKE CHANGES TO
PRODUCT DESIGN AND/OR
DIMENSIONS WITHOUT
NOTICE. PLEASE CONTACT
PRO-CAST PRODUCTS
WHENEVER NECESSARY
FOR CONFIRMATION OR
ADVICE ON PRODUCT
DESIGN.

CONTENTS:

- ISOMETRIC

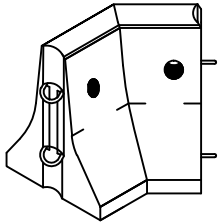
SCALE: 1/2"=1'-0"

DRAWN BY: F.M.12/06/2017

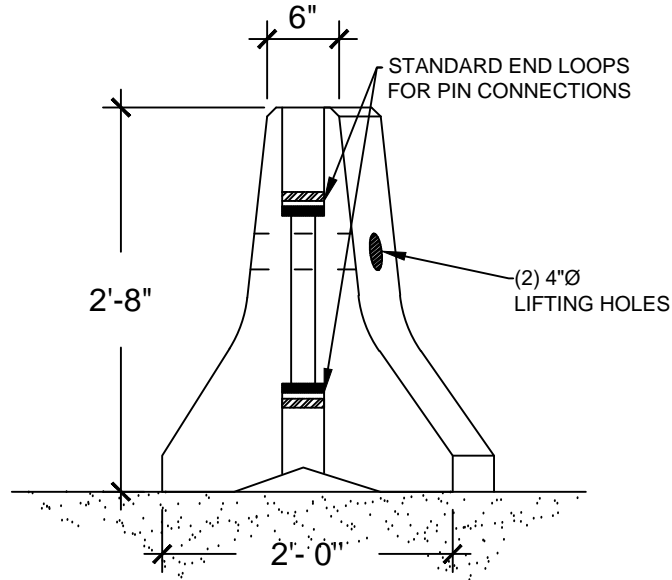
REVISED BY:

CHECKED BY: ** **

DRAWING NO.
B-007A

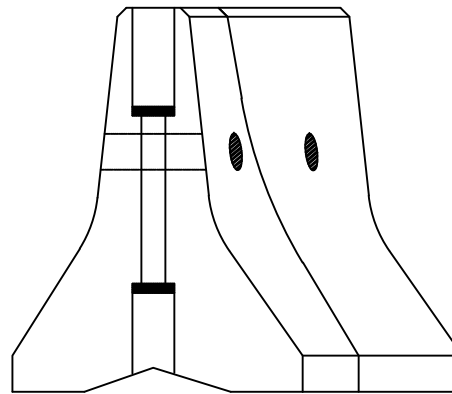


K-30C



BARRIER END DETAIL

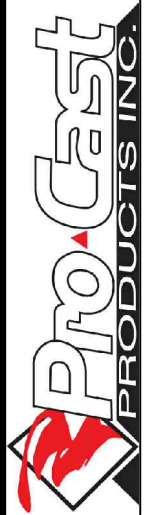
SCALE: 3/4"=1'-0"



ELEVATION

SCALE: 3/4"=1'-0"

**Cal Trans Barrier Type K(30 Deg.)
Corner Piece**



PO Box 602, Highland, CA 92346
909-793-7602 phone 909-793-1283 fax
www.procastproducts.com

PRODUCT NAME:

K-30C

DESCRIPTION:
CALTRANS TYPE K(30 DEG.)
CORNER PIECE

DESIGN SPECIFICATIONS

**2010 CALTRANS
STANDARD PLANS
& SPECIFICATIONS**

PRO-CAST PRODUCTS
RESERVES THE RIGHT TO
MAKE CHANGES TO
PRODUCT DESIGN AND/OR
DIMENSIONS WITHOUT
NOTICE. PLEASE CONTACT
PRO-CAST PRODUCTS
WHENEVER NECESSARY
FOR CONFIRMATION OR
ADVICE ON PRODUCT
DESIGN.

CONTENTS:

- END DETAIL
- SIDE ELEVATION

SCALE:	
DRAWN BY:	F.M. 12/06/2017
REVISED BY:	
CHECKED BY:	** **

DRAWING NO.
B-007B