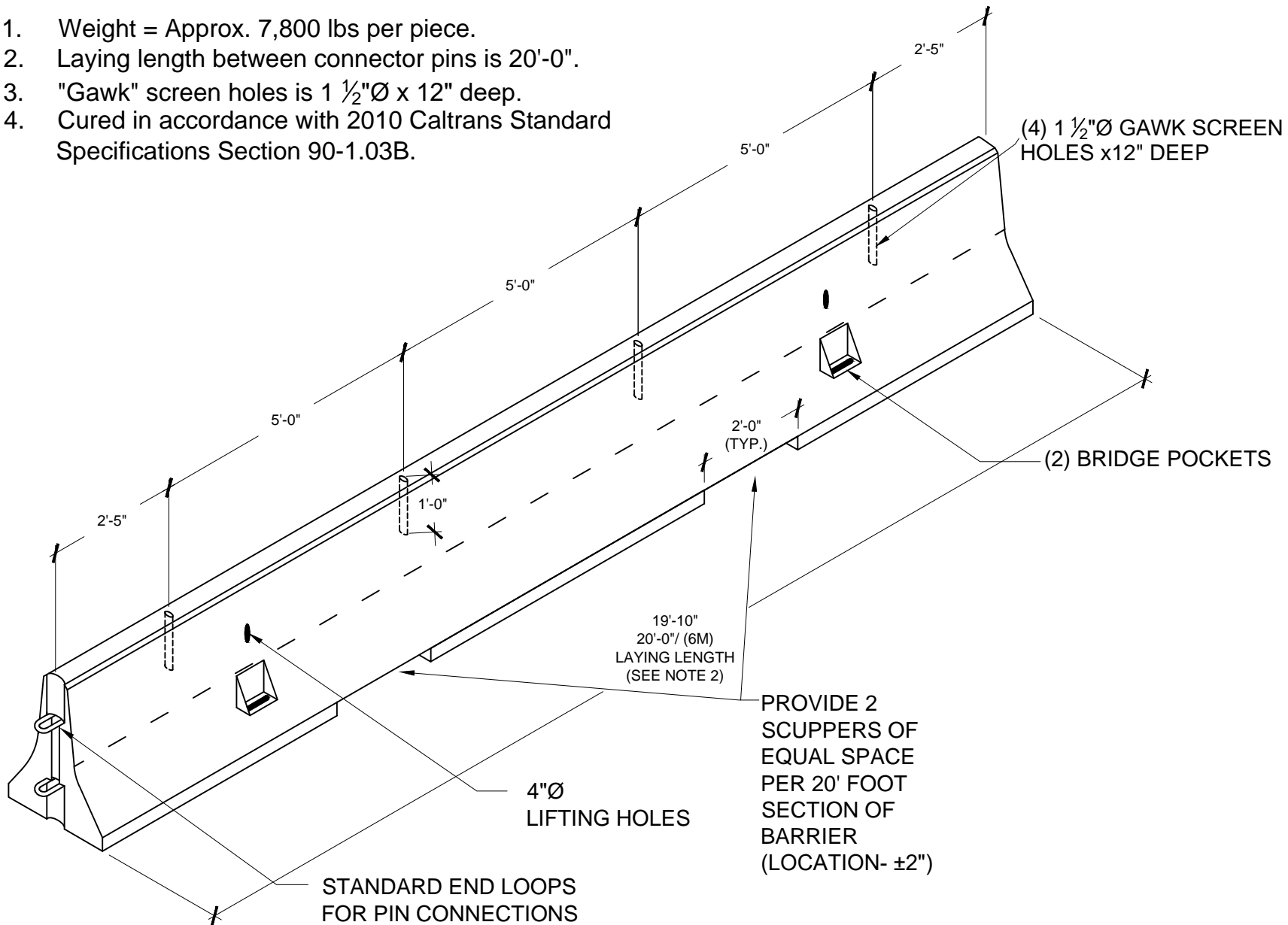


Notes:

1. Weight = Approx. 7,800 lbs per piece.
2. Laying length between connector pins is 20'-0".
3. "Gawk" screen holes is 1 1/2"Ø x 12" deep.
4. Cured in accordance with 2010 Caltrans Standard Specifications Section 90-1.03B.



ISOMETRIC

SCALE: 3/4"=1'-0"

Cal Trans Barrier Type K-20

Pro-Cast
PRODUCTS INC.
PO Box 602, Highland, CA 92346
909-793-7602 phone 909-793-1283 fax
www.procastproducts.com

PRODUCT NAME:
K-20

DESCRIPTION:
CALTRANS TYPE K-20

DESIGN SPECIFICATIONS

**2010 CALTRANS
STANDARD PLANS
& SPECIFICATIONS**

PRO-CAST PRODUCTS
RESERVES THE RIGHT TO
MAKE CHANGES TO
PRODUCT DESIGN AND/OR
DIMENSIONS WITHOUT
NOTICE. PLEASE CONTACT
PRO-CAST PRODUCTS
WHENEVER NECESSARY
FOR CONFIRMATION OR
ADVICE ON PRODUCT
DESIGN.

CONTENTS:

- ISOMETRIC

SCALE: 3/8"=1'-0"

DRAWN BY: F.M. 12/06/2017

REVISED BY:

CHECKED BY: ** **

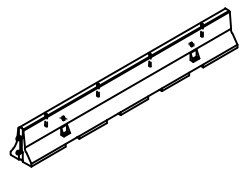
DRAWING NO.
B-001A

PRODUCT NAME: K-20
DESCRIPTION: CALTRANS TYPE K-20
DESIGN SPECIFICATIONS 2010 CALTRANS STANDARD PLANS & SPECIFICATIONS

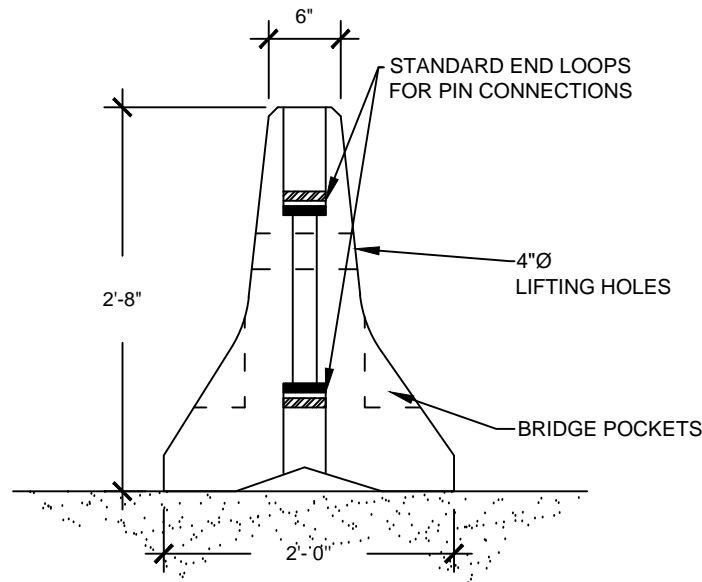
PRO-CAST PRODUCTS RESERVES THE RIGHT TO MAKE CHANGES TO PRODUCT DESIGN AND/OR DIMENSIONS WITHOUT NOTICE. PLEASE CONTACT PRO-CAST PRODUCTS WHENEVER NECESSARY FOR CONFIRMATION OR ADVICE ON PRODUCT DESIGN.

CONTENTS: - END DETAIL - SIDE ELEVATION

SCALE:	
DRAWN BY:	F.M. 12/06/2017
REVISED BY:	
CHECKED BY:	** **
DRAWING NO. B-001B	

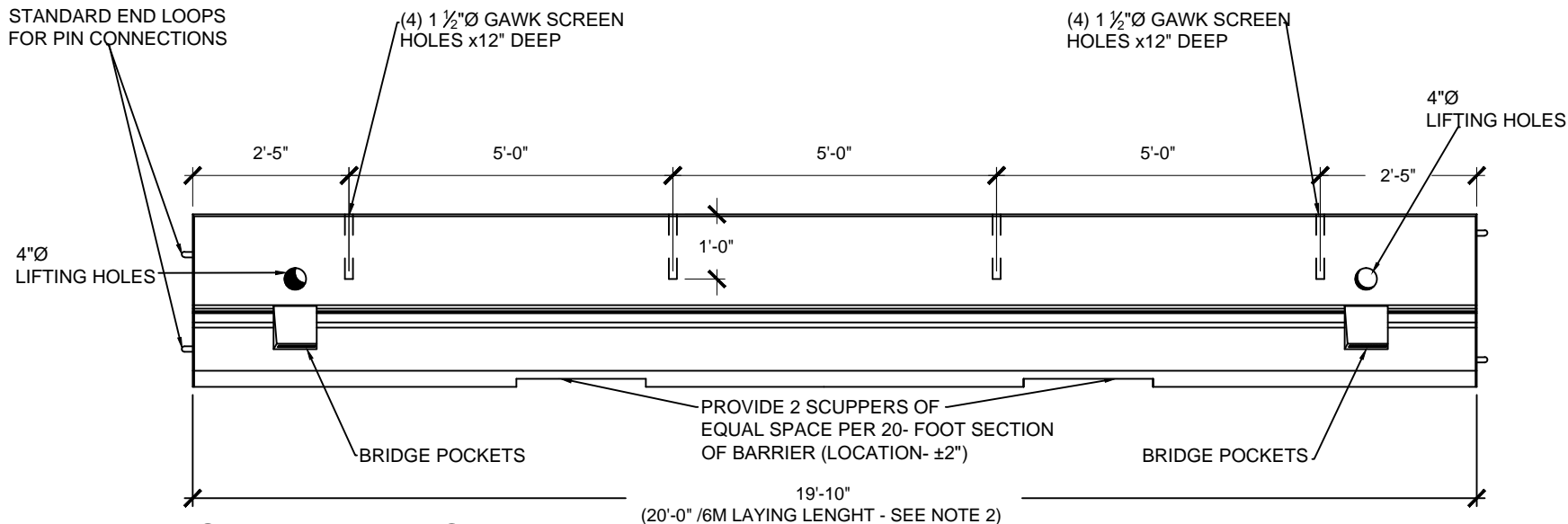


K-20



BARRIER END DETAIL

SCALE: 3/4"=1'-0"



SIDE ELEVATION

SCALE: 3/8"=1'-0"

Cal Trans Barrier Type K-20