

PO Box 602, Highland, CA 92346
 909-793-7602 phone 909-793-1283 fax
 www.procastproducts.com

PRODUCT NAME:
K-10 T

DESCRIPTION:
CALTRANS TYPE K-10 T

DESIGN SPECIFICATIONS

**2010 CALTRANS
 STANDARD PLANS
 & SPECIFICATIONS**

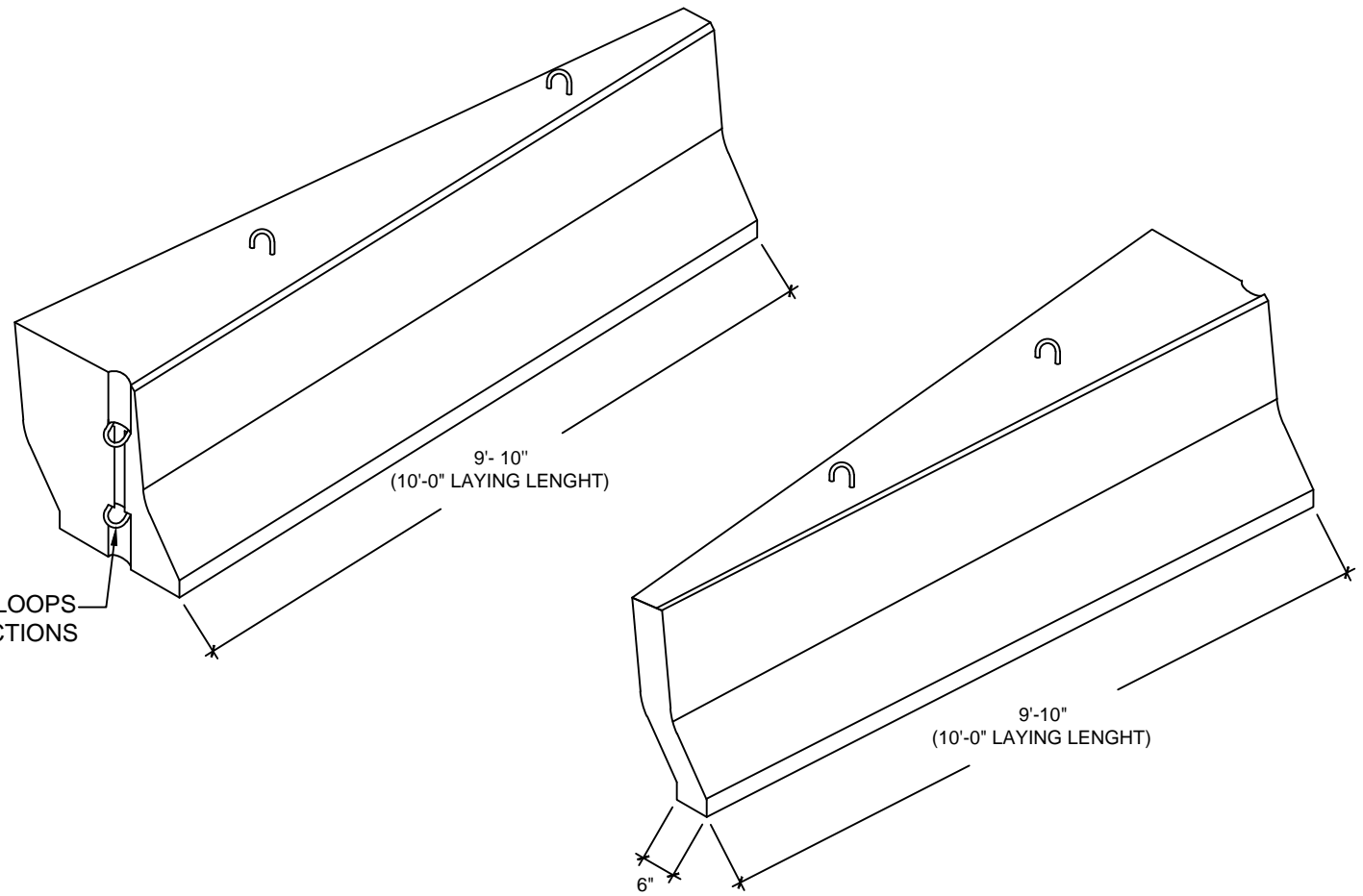
PRO-CAST PRODUCTS
 RESERVES THE RIGHT TO
 MAKE CHANGES TO
 PRODUCT DESIGN AND/OR
 DIMENSIONS WITHOUT
 NOTICE. PLEASE CONTACT
 PRO-CAST PRODUCTS
 WHENEVER NECESSARY
 FOR CONFIRMATION OR
 ADVICE ON PRODUCT
 DESIGN.

CONTENTS:

- ISOMETRIC

SCALE: 3/8"=1'-0"
 DRAWN BY: F.M. 12/06/2017
 REVISED BY:
 CHECKED BY: ** **

DRAWING NO.
B-004A



STANDARD END LOOPS
 FOR PIN CONNECTIONS

9'-10"
 (10'-0" LAYING LENGTH)

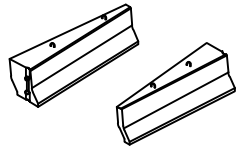
9'-10"
 (10'-0" LAYING LENGTH)

6"

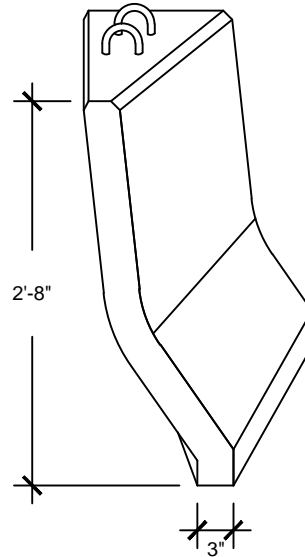
ISOMETRIC

SCALE: 1/2"=1'-0"

Cal Trans Barrier Type K(10ft.Long)
Terminal Section

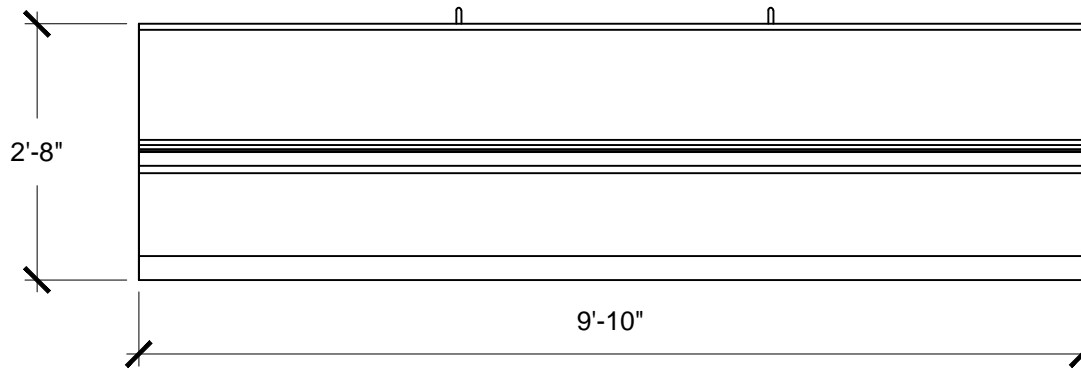


K-10 T



BARRIER END DETAIL

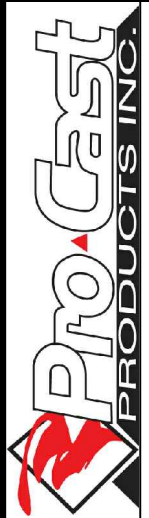
SCALE: 3/4"=1'-0"



SIDE ELEVATION

SCALE: 1/2"=1'-0"

Cal Trans Barrier Type K(10ft.Long)
Terminal Section



PO Box 602, Highland, CA 92346
909-793-7602 phone 909-793-1283 fax
www.procastproducts.com

PRODUCT NAME:
K-10 T

DESCRIPTION:
CALTRANS TYPE K-10 T

DESIGN SPECIFICATIONS

**2010 CALTRANS
STANDARD PLANS
& SPECIFICATIONS**

PRO-CAST PRODUCTS
RESERVES THE RIGHT TO
MAKE CHANGES TO
PRODUCT DESIGN AND/OR
DIMENSIONS WITHOUT
NOTICE. PLEASE CONTACT
PRO-CAST PRODUCTS
WHENEVER NECESSARY
FOR CONFIRMATION OR
ADVICE ON PRODUCT
DESIGN.

CONTENTS:

- END DETAIL
- SIDE ELEVATION

SCALE:
DRAWN BY: F.M. 12/06/2017
REVISED BY:
CHECKED BY: ** **

DRAWING NO.
B-004B