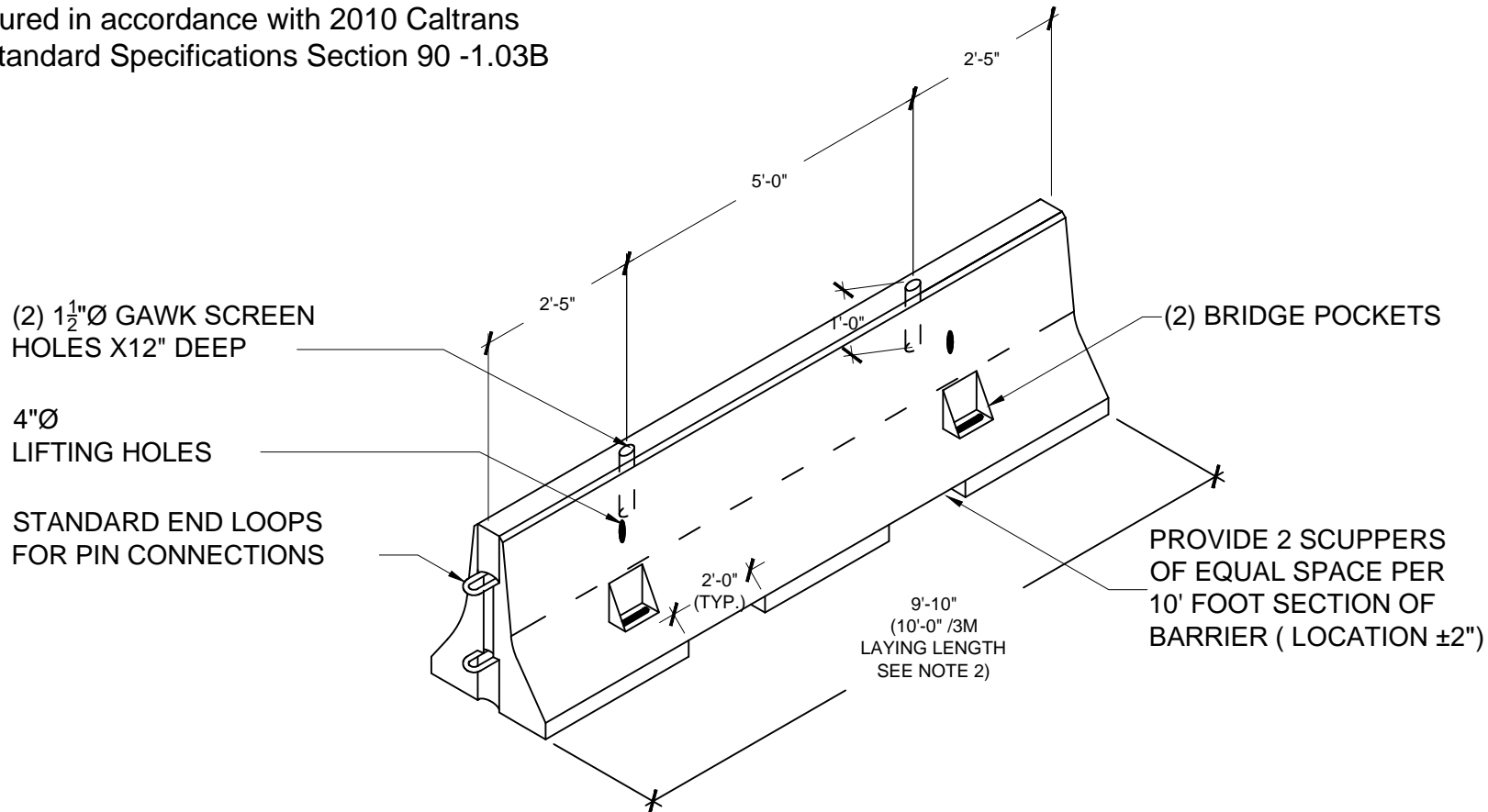


NOTES:

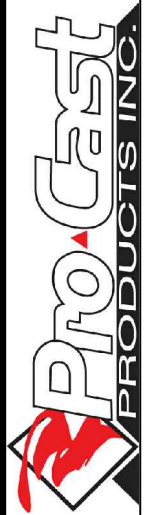
1. Weight = Approx. 3,900 lbs per piece.
2. Laying length between connector pins is 10'-0".
3. "Gawk" screen holes is 1½"Ø x 12" deep.
4. Cured in accordance with 2010 Caltrans Standard Specifications Section 90 -1.03B



ISOMETRIC

SCALE: 3/4"=1'-0"

Cal Trans Barrier Type K-10



PO Box 602, Highland, CA 92346
 909-793-7602 phone 909-793-1283 fax
 www.procastproducts.com

PRODUCT NAME:

K-10

DESCRIPTION:

CALTRANS TYPE K-10

DESIGN SPECIFICATIONS

**2010 CALTRANS
 STANDARD PLANS
 & SPECIFICATIONS**

PRO-CAST PRODUCTS RESERVES THE RIGHT TO MAKE CHANGES TO PRODUCT DESIGN AND/OR DIMENSIONS WITHOUT NOTICE. PLEASE CONTACT PRO-CAST PRODUCTS WHENEVER NECESSARY FOR CONFIRMATION OR ADVICE ON PRODUCT DESIGN.

CONTENTS:

- ISOMETRIC

SCALE: 3/8"=1'-0"

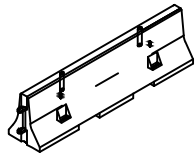
DRAWN BY: F.M. 12/06/2017

REVISED BY:

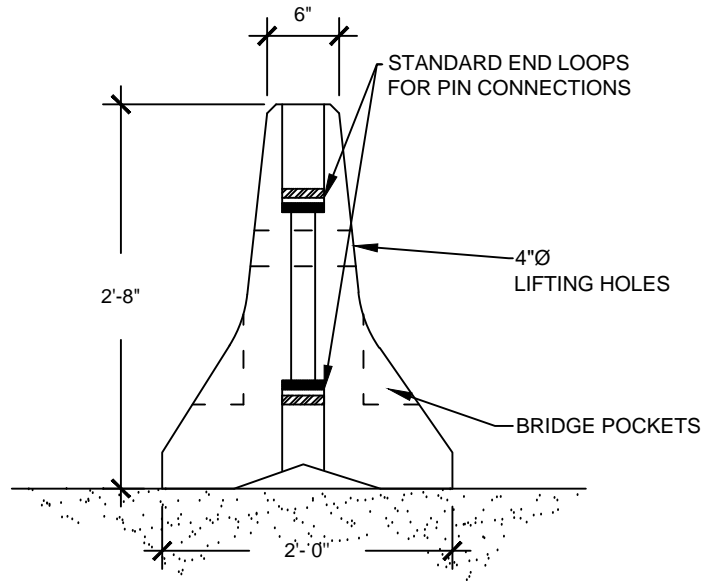
CHECKED BY: ** **

DRAWING NO.

B-002A

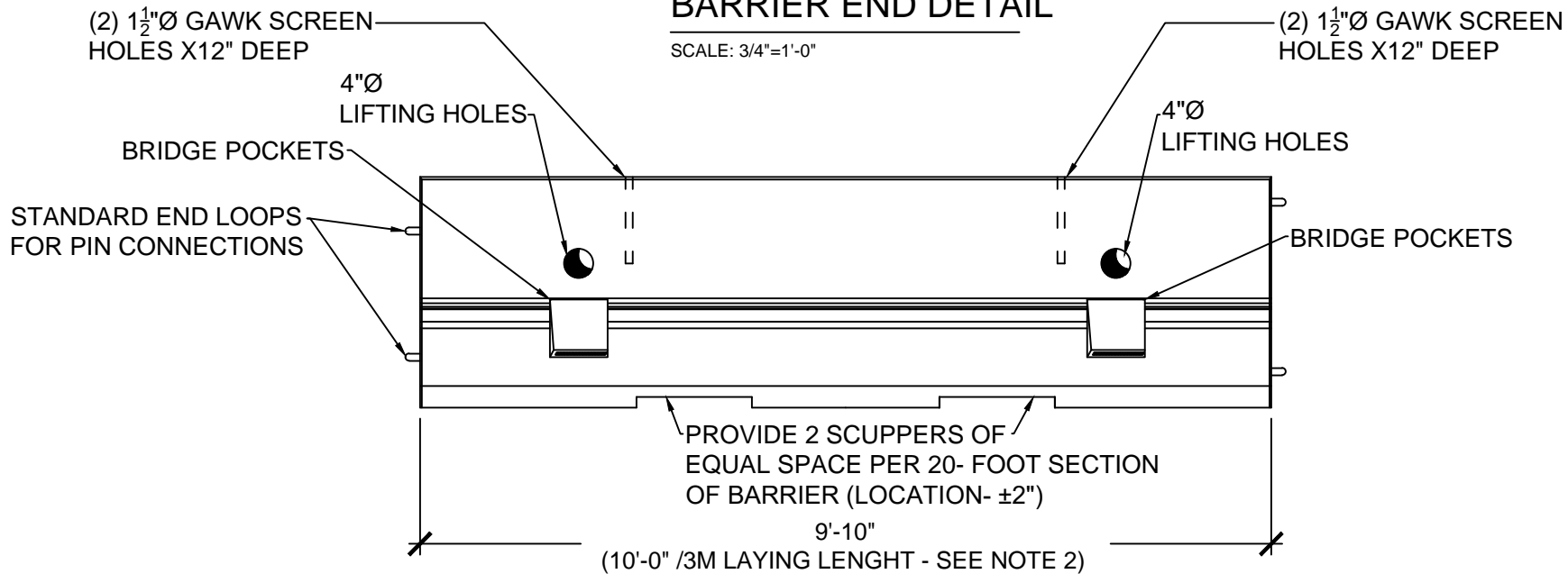


K-10



BARRIER END DETAIL

SCALE: 3/4"=1'-0"



SIDE ELEVATION

SCALE: 1/2"=1'-0"

Cal Trans Barrier Type K-10

Pro-Cast PRODUCTS INC.
 PO Box 602, Highland, CA 92346
 909-793-7602 phone 909-793-1283 fax
 www.procastproducts.com

PRODUCT NAME:
K-10

DESCRIPTION:
CALTRANS TYPE K-10

DESIGN SPECIFICATIONS

2010 CALTRANS STANDARD PLANS & SPECIFICATIONS

PRO-CAST PRODUCTS RESERVES THE RIGHT TO MAKE CHANGES TO PRODUCT DESIGN AND/OR DIMENSIONS WITHOUT NOTICE. PLEASE CONTACT PRO-CAST PRODUCTS WHENEVER NECESSARY FOR CONFIRMATION OR ADVICE ON PRODUCT DESIGN.

CONTENTS:

- END DETAILS
- SIDE ELEVATIONS

SCALE:	
DRAWN BY:	F.M. 12/06/2017
REVISED BY:	
CHECKED BY:	** **

DRAWING NO.
B-002B