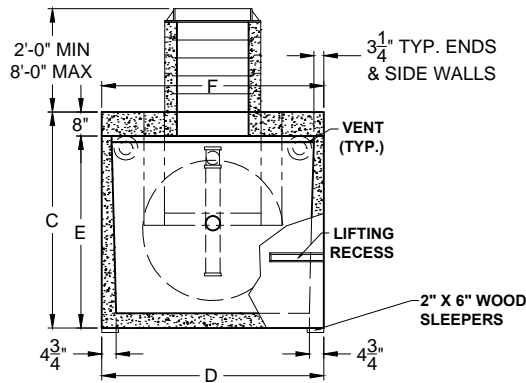
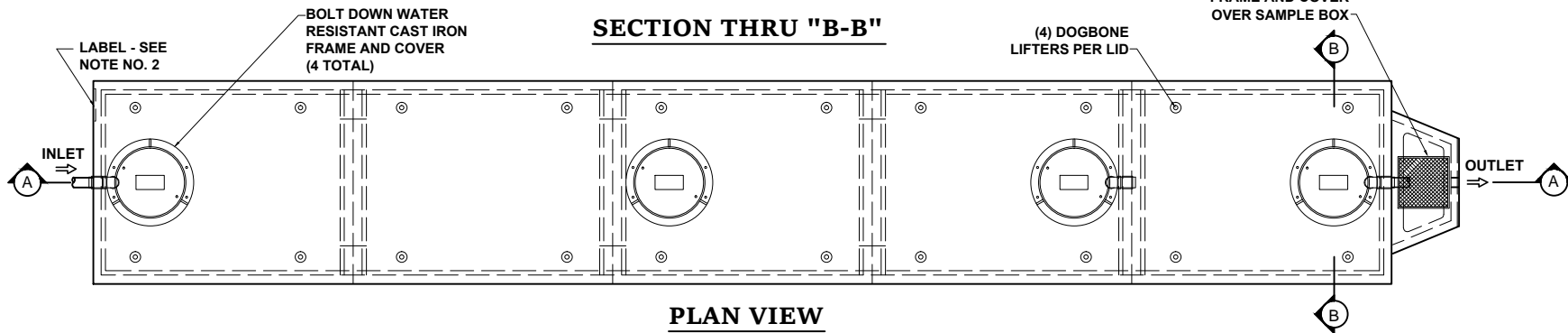


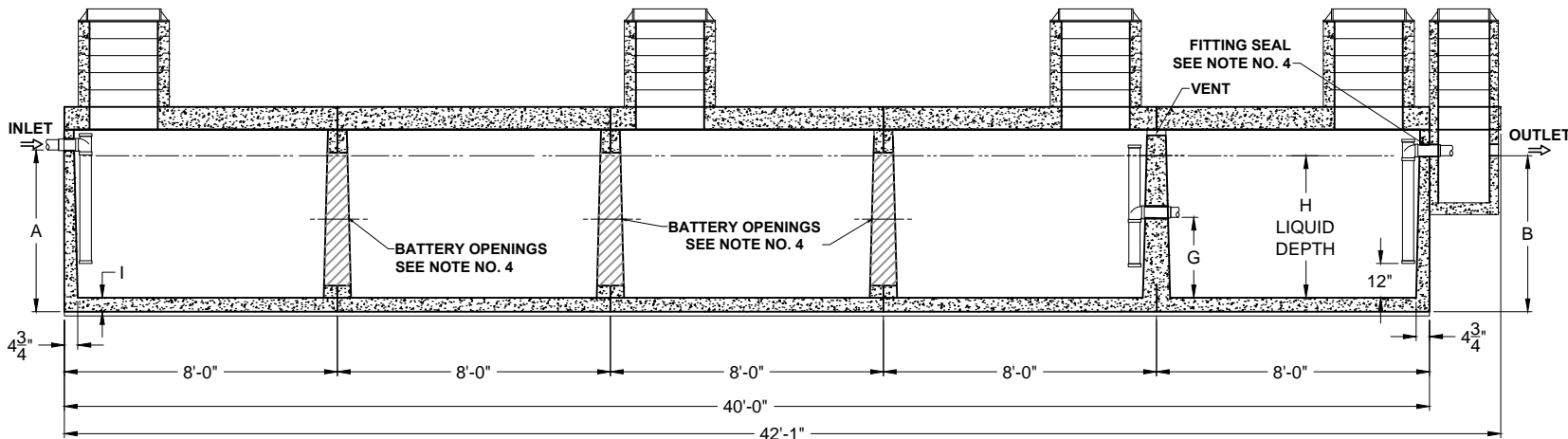
PO Box 602, Highland, CA 92346
 909-793-7602 phone 909-793-1283 fax
 www.procastproducts.com



SECTION THRU "B-B"



PLAN VIEW



SECTION THRU "A-A"

ALL DIMENSIONS ARE IN INCHES & WEIGHTS IN LBS - (RISER ST. NOT INCLUDED)

MODEL	A	B	C	D	E	F	G	H	I	WEIGHT
G-HD-5-6250	57	55	72	74	64	74	29 3/4	50 1/2	4 1/2	78,625
G-HD-5-7500	60 1/2	58 1/2	75 1/2	85	67 1/2	85	30 3/4	53 1/2	5	91,725

EXCAVATION SPECIFICATIONS

MODEL	G-6250	G-7500
LENGTH	45'-0"	45'-0"
WIDTH	9'-2"	10'-1"
BELOW INLET	4'-9"	5'-0 1/2"
TANK HEIGHT	6'-0"	6'-3 1/2"

PRODUCT NAME:
GREASE INTERCEPTOR

DESCRIPTION:
 WITH THREE MANHOLES & RISERS
 6250 THRU 7500 GALLONS

DESIGN SPECIFICATIONS

DESIGN LOAD: H-20 LOADING

WITH DRY SOIL CONDITIONS (WATER LEVEL BELOW TANK). SUITABLE SUB-BASE BEDDED WITH GRANULAR MATERIAL SHALL BE PREPARED TO HANDLE ANTICIPATED LOADS. FOR COMPLETE DESIGN AND PRODUCT INFORMATION, PLEASE CONTACT PRO-CAST PRODUCTS.

PRO-CAST PRODUCTS RESERVES THE RIGHT TO MAKE CHANGES TO PRODUCT DESIGN AND/OR DIMENSIONS WITHOUT NOTICE. PLEASE CONTACT PRO-CAST PRODUCTS WHENEVER NECESSARY FOR CONFIRMATION OR ADVICE ON PRODUCT DESIGN.

NOTES:

1. REFER TO SPECIFICATION SHEET NO. S-101
2. REFER TO SPECIFICATION SHEET NOS. S- 251 & S-252
3. REFER TO SPECIFICATION SHEET NO. S-201
4. REFER TO SPECIFICATION SHEET NO. S-250

SCALE: 3/16"=1'-0"

DRAWN BY: TPC 9/14/2017

REVISED BY:

CHECKED BY:

DRAWING NO.

G-006