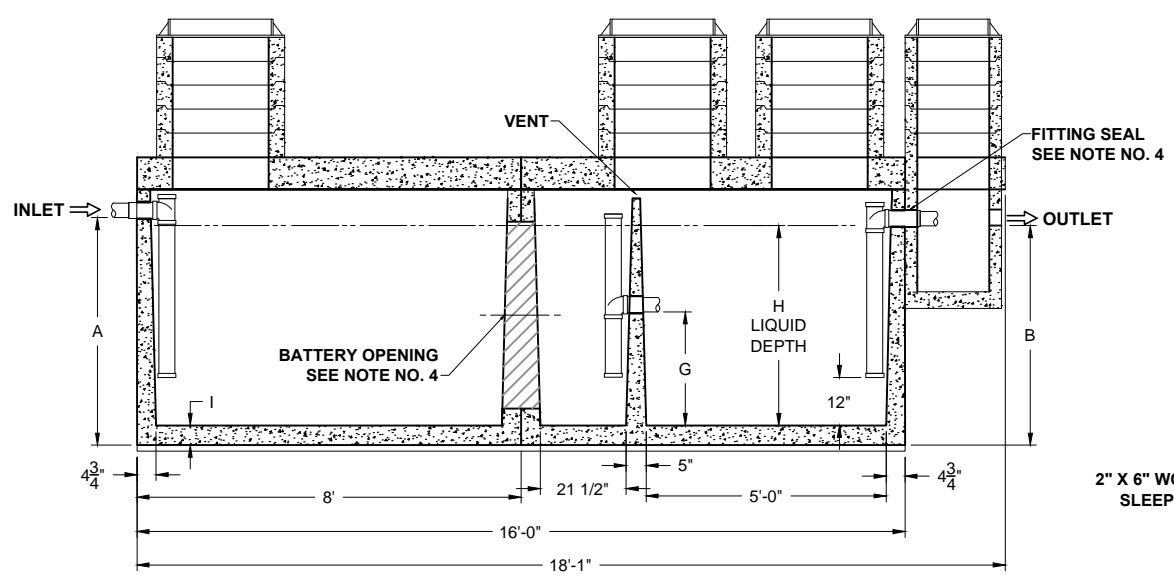
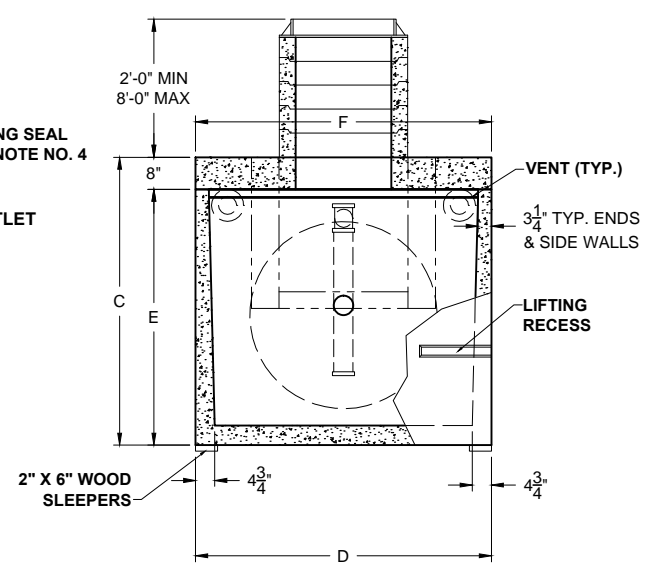


**PLAN VIEW**



**SECTION THRU "A-A"**



**SECTION THRU "B-B"**

ALL DIMENSIONS ARE IN INCHES & WEIGHTS IN LBS - (RISER WT. NOT INCLUDED)

MODEL	A	B	C	D	E	F	G	H	I	WEIGHT
G-HD-2-2000	48	46	63	74	55	74	24 3/4	41 1/2	4 1/2	29,020
G-HD-2-2500	57	55	72	74	64	74	29 3/4	50 1/2	4 1/2	31,450
G-HD-2-3000	60 1/2	58 1/2	75 1/2	85	67 1/2	85	30 3/4	53 1/2	5	36,690

EXCAVATION SPECIFICATIONS

MODEL	G-2000	G-2500	G-3000
LENGTH	21'-0"	21'-0"	21'-0"
WIDTH	9'-2"	9'-2"	10'-1"
BELOW INLET	4'-0"	4'-9"	5'-0 1/2"
TANK HEIGHT	5'-3"	6'-0"	6'-3 1/2"

PRODUCT NAME:  
**GREASE INTERCEPTOR**

DESCRIPTION:  
 WITH THREE MANHOLES & RISERS  
 2000 THRU 3000 GALLONS

DESIGN SPECIFICATIONS

DESIGN LOAD: H-20 LOADING  
 WITH DRY SOIL CONDITIONS (WATER LEVEL BELOW TANK). SUITABLE SUB-BASE BEDDED WITH GRANULAR MATERIAL SHALL BE PREPARED TO HANDLE ANTICIPATED LOADS. FOR COMPLETE DESIGN AND PRODUCT INFORMATION, PLEASE CONTACT PRO-CAST PRODUCTS.

PRO-CAST PRODUCTS RESERVES THE RIGHT TO MAKE CHANGES TO PRODUCT DESIGN AND/OR DIMENSIONS WITHOUT NOTICE. PLEASE CONTACT PRO-CAST PRODUCTS WHENEVER NECESSARY FOR CONFIRMATION OR ADVICE ON PRODUCT DESIGN.

- NOTES:
- REFER TO SPECIFICATION SHEET NO. S-101
  - REFER TO SPECIFICATION SHEET NOS. S-251 & S-252
  - REFER TO SPECIFICATION SHEET NO. S-201
  - REFER TO SPECIFICATION SHEET NO. S-250

SCALE: 1/4" = 1'-0"  
 DRAWN BY: TPC 9/14/2017  
 REVISED BY:  
 CHECKED BY:

DRAWING NO.  
**G-003**