

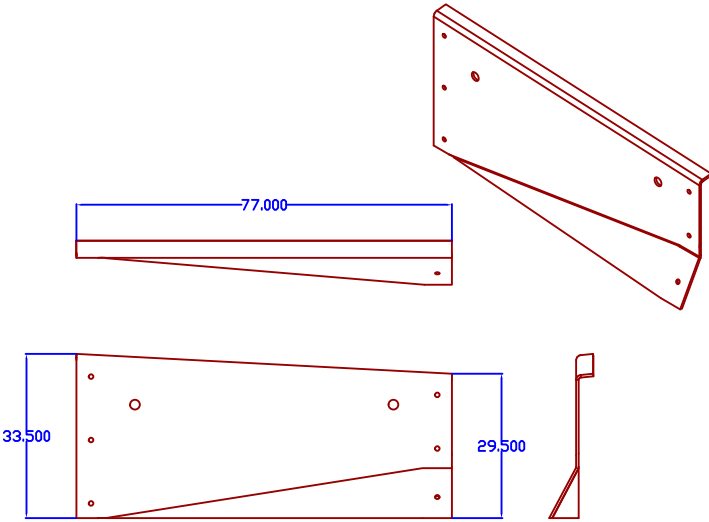
# APPROVED DRAWING - OK TO PROCEED



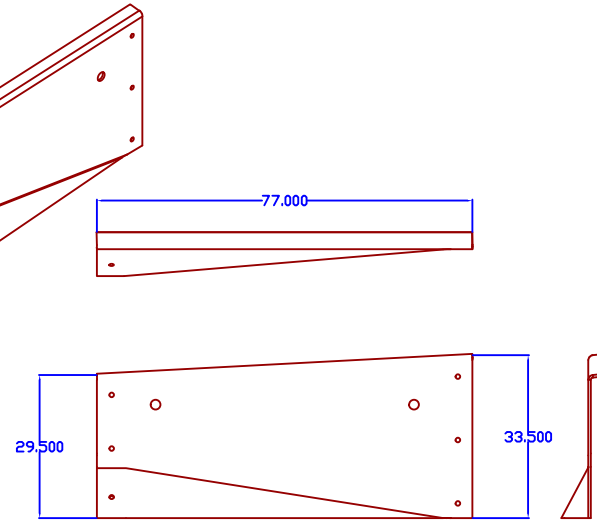
27417 3RD STREET  
HIGHLAND, CA 92346

CUSTOMER  
**PRO CAST**  
PART NUMBER  
**61021600**  
THICKNESS  
**1/2"**  
MATERIAL  
**HOT ROLLED**  
CUSTOMER PART NUMBER  
**NONE**  
SCALE  
**NONE**

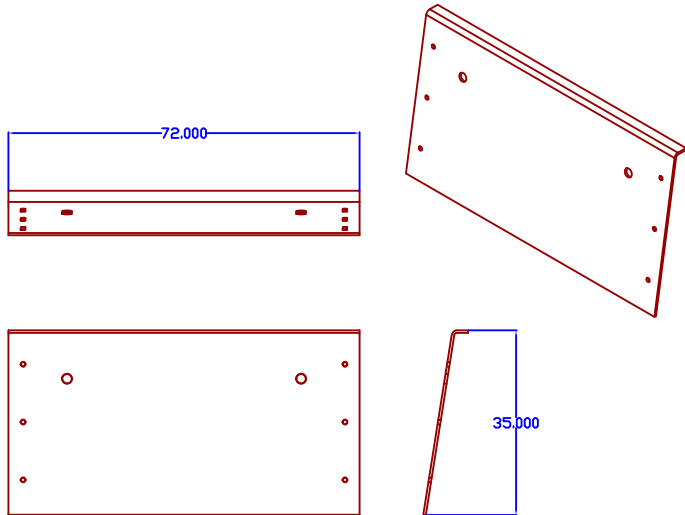
## 60 TO 50 CLOSURE



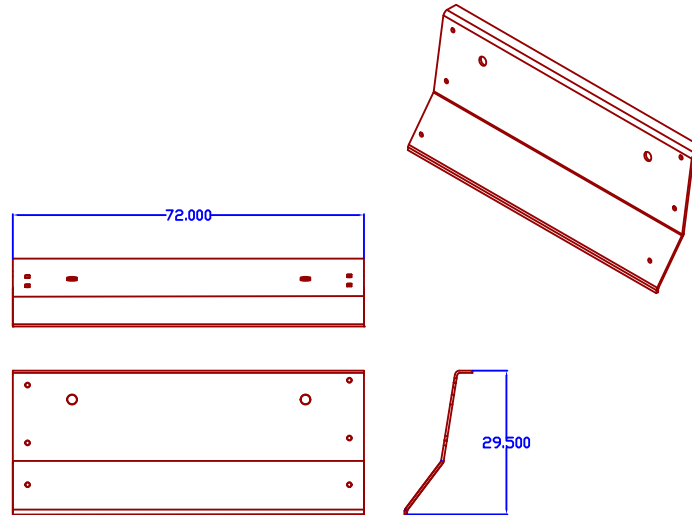
## 50 TO 60 CLOSURE



**APPROVED  
DRAWING  
PROCEED**



## 60 CLOSURE



## 50 CLOSURE

UNLESS OTHERWISE SPECIFIED  
DIMENSIONS ARE IN INCHES

TOLERANCES  
DECIMAL & FRACTIONS =  $\pm \frac{1}{4}$   
ANGLES =  $\pm 1^\circ$

THIS DRAWING IS THE PROPERTY OF PRO-CAST INC.  
IT MAY NOT BE REPRODUCED, COPIED, OR LOANED, WITHOUT  
THE EXPRESSED PERMISSION OF ADVANTAGE METAL SERVICES INC.  
ACCEPTANCE OF THIS DRAWING IS AGREEMENT TO THE ABOVE.

GEORGE		2-19-16
DRAWN BY	REVISION	DATE

# APPROVED DRAWING - OK TO PROCEED