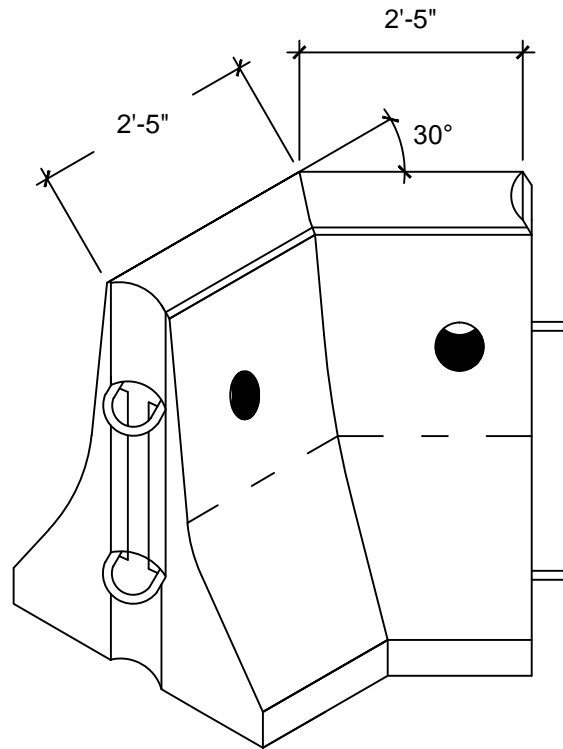
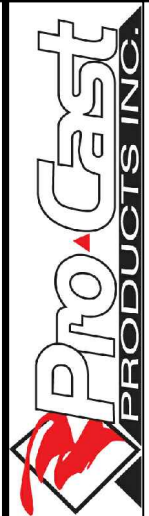


NOTES:

1. WEIGHT = APPROX. 1,900 LBS PER PIECE
2. LAYING LENGTH BETWEEN CONNECTOR PINS IS '0"
3. OPTIONAL "GAWK" SCREEN HOLES 1½"Ø
x12" DEEP



Barrier Type K (30 Deg.) Corner Piece



PO Box 602, Highland, CA 92346
909-793-7602 phone 909-793-1283 fax
www.procastproducts.com

PRODUCT NAME:
K-30C

DESCRIPTION:
**TYPE K - 30 DEG.
CORNER BARRIER**

DESIGN SPECIFICATIONS

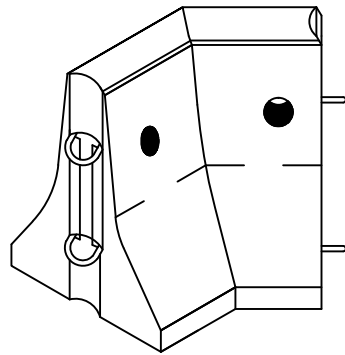
PRO-CAST PRODUCTS
RESERVES THE RIGHT TO
MAKE CHANGES TO
PRODUCT DESIGN AND/OR
DIMENSIONS WITHOUT
NOTICE. PLEASE CONTACT
PRO-CAST PRODUCTS
WHENEVER NECESSARY
FOR CONFIRMATION OR
ADVICE ON PRODUCT
DESIGN.

CONTENTS:

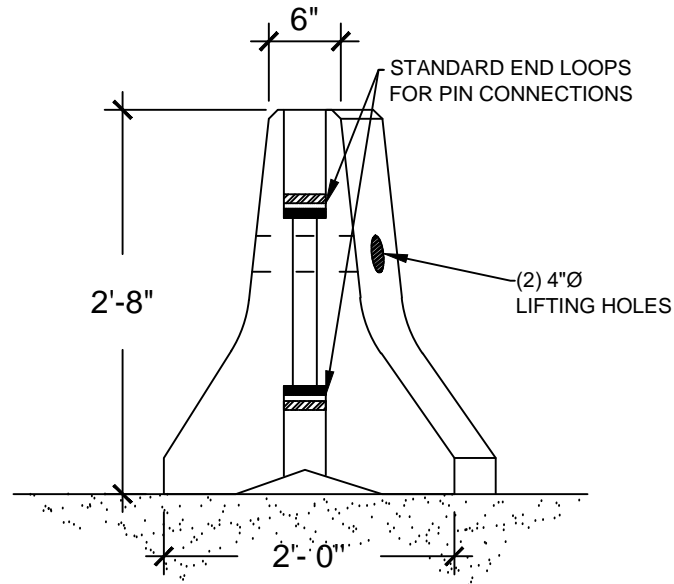
ISOMETRIC

SCALE:	1/2"=1'-0"
DRAWN BY:	F.M. 12/06/2017
REVISED BY:	
CHECKED BY:	** **

DRAWING NO.
B-007A

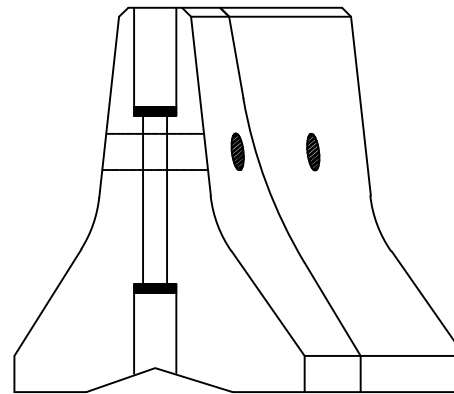


K-30C



BARRIER END DETAIL

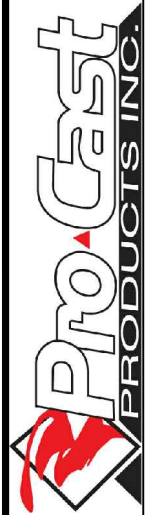
SCALE: 3/4"=1'-0"



ELEVATION

SCALE: 3/4"=1'-0"

Barrier Type K(30 Deg.) Corner Piece



PO Box 602, Highland, CA 92346
 909-793-7602 phone 909-793-1283 fax
 www.procastproducts.com

PRODUCT NAME:
K-30C

DESCRIPTION:
**TYPE K - 30 DEG.
 CORNER PIECE**

DESIGN SPECIFICATIONS

PRO-CAST PRODUCTS
 RESERVES THE RIGHT TO
 MAKE CHANGES TO
 PRODUCT DESIGN AND/OR
 DIMENSIONS WITHOUT
 NOTICE. PLEASE CONTACT
 PRO-CAST PRODUCTS
 WHENEVER NECESSARY
 FOR CONFIRMATION OR
 ADVICE ON PRODUCT
 DESIGN.

CONTENTS:

- END DETAIL
- SIDE ELEVATION

SCALE:	
DRAWN BY:	F.M. 12/06/2017
REVISED BY:	
CHECKED BY:	** **

DRAWING NO.
B-007B